

**Indicators**

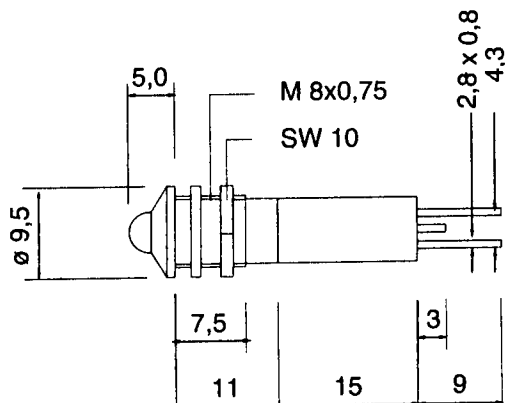
| <b>Order code</b> | <b>Manufacturer code</b> | <b>Description</b>                 |
|-------------------|--------------------------|------------------------------------|
| 42-0940           | 19040253                 | 5MM 12V HE RED PROM CHROME LED     |
| 42-0941           | 19040251                 | 5MM 12V GREEN PROMINENT CHROME LED |
| 42-0942           | 19040252                 | 5MM 12V YELLOW PROM CHROM LED      |
| 42-0943           | 19040353                 | 5MM 24VHE RED PROM CHROME LED      |
| 42-0944           | 19040351                 | 5MM 24V GREEN PROMINENT CHROME LED |
| 42-0945           | 19040352                 | 5MM 24V YELL PROMINENT CHROME LED  |
| 42-0960           | 19041253                 | 5MM 12V HE RED PROMINENT BLACK LED |
| 42-0961           | 19041251                 | 5MM 12V GREEN PROMINENT BLACK LED  |
| 42-0962           | 19041252                 | 12V YELLOW PROMINENT BLACK LED     |
| 42-0963           | 19041353                 | 5MM 24V HE RED PROMINENT BLACK LED |
| 42-0964           | 19041351                 | 5MM 24V GREEN PROMINENT BLACK LED  |
| 42-0965           | 19041352                 | 24V YELLOW PROMINENT BLK LED       |

|                                                                                                                                                                                                    |                          |
|----------------------------------------------------------------------------------------------------------------------------------------------------------------------------------------------------|--------------------------|
| Indicators                                                                                                                                                                                         | Page 1 of 2              |
| The enclosed information is believed to be correct, Information may change 'without notice' due to product improvement. Users should ensure that the product is suitable for their use. E. & O. E. | Revision A<br>04/07/2003 |

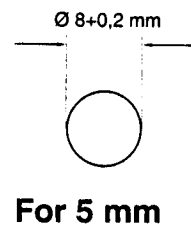
## 5mm Indicators With Integral Resistor Prominent Case Design

| Case Colour  | Voltage | LED Colour | MCD<br>1F = 20mA |
|--------------|---------|------------|------------------|
| Satin Chrome | 12v     | HE Red     | 30               |
| Satin Chrome | 12v     | Green      | 40               |
| Satin Chrome | 12v     | Yellow     | 38               |
| Satin Chrome | 24v     | HE Red     | 22               |
| Satin Chrome | 24v     | Green      | 27               |
| Satin Chrome | 24v     | Yellow     | 27               |
| Black Chrome | 12v     | HE Red     | 38               |
| Black Chrome | 12v     | Green      | 50               |
| Black Chrome | 12v     | Yellow     | 40               |
| Black Chrome | 24v     | HE Red     | 30               |
| Black Chrome | 24v     | Green      | 35               |
| Black Chrome | 24v     | Yellow     | 30               |

### Dimensions



### Cut-outs



Operating temperature ( $T_{op}$ ):  $-55^{\circ}\text{C}$  -  $+70^{\circ}\text{C}$   
 Storage temperature ( $T_{stg}$ ):  $-55^{\circ}\text{C}$  -  $+100^{\circ}\text{C}$