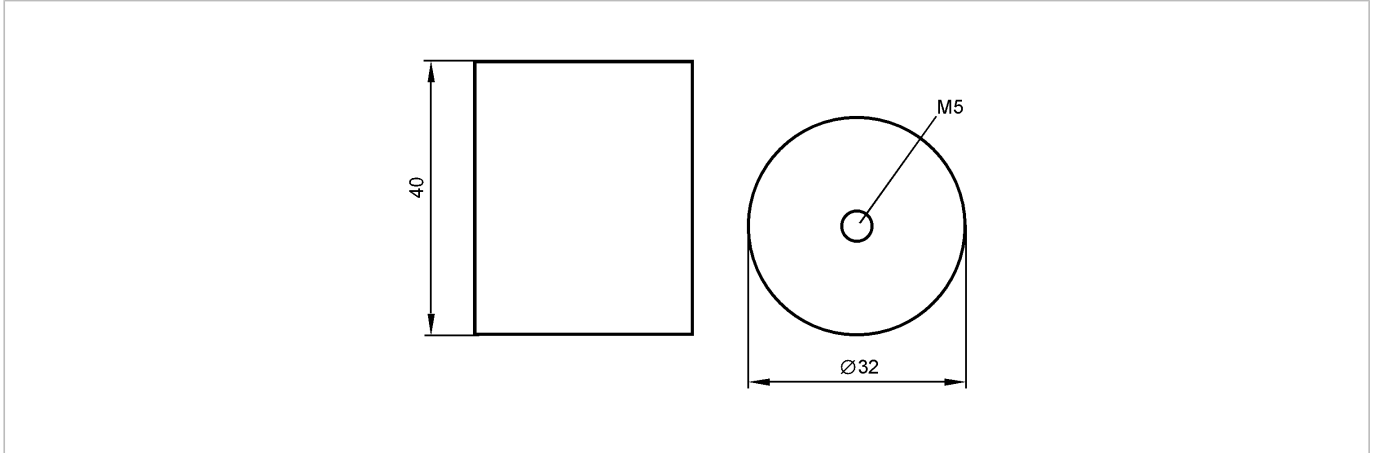




MAGNETIC MOUNT

Accessories



Product characteristics

Magnetic mount

Mechanical data

Design	for efector octavis
Housing materials	Brass; Samarium cobalt
Holding force [N]	600 *)
Weight [kg]	0.342
Remarks	
Remarks	*) at 20°C
Pack quantity [piece]	1