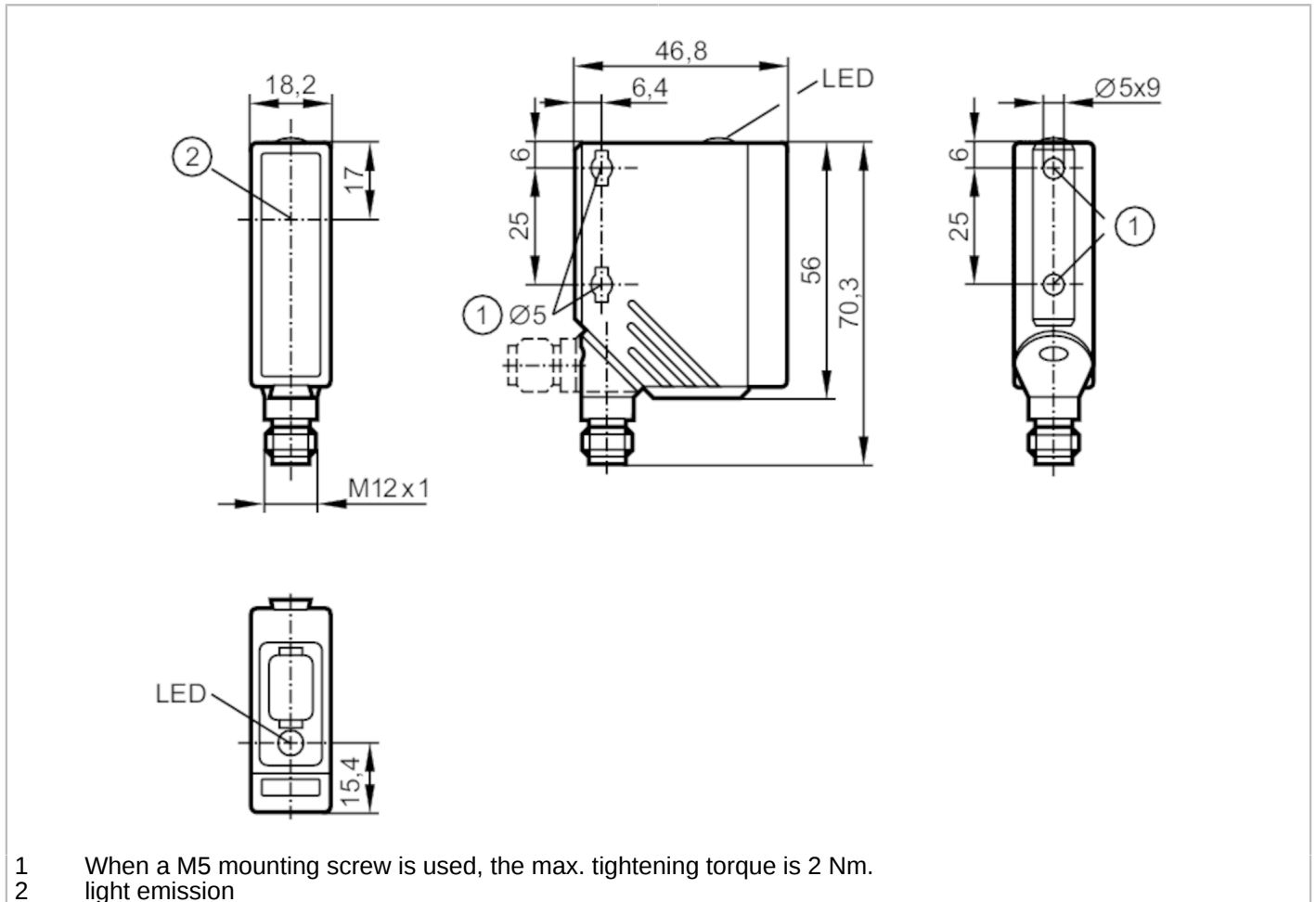


O5E200



Through-beam sensor receiver

O5E-DPKG/US100




Product characteristics	
Type of light	red light
Housing	rectangular
Dimensions [mm]	56 x 18.2 x 46.8
Application	
Function principle	Through-beam sensor
Electrical data	
Operating voltage [V]	10...36 DC
Current consumption [mA]	10
Protection class	II
Reverse polarity protection	yes
Type of light	red light
Wave length [nm]	624

O5E200



Through-beam sensor receiver

O5E-DPKG/US100

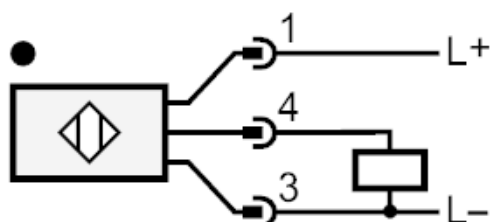
Outputs		
Electrical design		PNP
Output function		dark-on mode
Max. voltage drop switching output DC	[V]	2.5
Permanent current rating of switching output DC	[mA]	200
Switching frequency DC	[Hz]	1000
Short-circuit protection		yes
Type of short-circuit protection		pulsed
Overload protection		yes
Detection zone		
Transmitter / receiver		receiver
Range	[m]	< 20
Range adjustable		no
Operating conditions		
Ambient temperature	[°C]	-25...60
Protection		IP 67
Tests / approvals		
EMC		EN 60947-5-2
MTTF	[years]	1134
Mechanical data		
Weight	[g]	61.5
Housing		rectangular
Dimensions	[mm]	56 x 18.2 x 46.8
Materials		housing: PA; bezel: stainless steel; operator interface: TPE
Lens material		PMMA
Lens alignment		side lens
Displays / operating elements		
Display	switching status	1 x LED, yellow
Remarks		
Remarks	operating voltage "supply class 2" according to cULus	
Pack quantity	1 pcs.	
Electrical connection		
Connector: 1 x M12		
		



Through-beam sensor receiver

O5E-DPKG/US100

Connection



Diagrams and graphs

excess gain graph

