





## Safety light grids

OYA510-02-4-12-P-4-M

Product characteristics		
Type of light		infrared light
Electrical data		
Operating voltage	[V]	24 DC
Protection class		III
Reverse polarity protection		yes
Power-on delay time	[s]	< 10
Type of light		infrared light
Wave length	[nm]	950
Receiver		
Current consumption	[mA]	84
Transmitter		
Current consumption	[mA]	42
Outputs		
Electrical design		PNP
Number of OSSD outputs		2
Max. current load per OSSD output	[mA]	300; (24 V)
Short-circuit protection		yes
Detection zone		
Protected area height	[mm]	510
Number of beams		2
Protection area width (low light intensity)	[m]	0...4
Protection area width (high light intensity)	[m]	3...12
Response times		
Response time	[ms]	5.5
Operating conditions		
Applications		class C to EN 60654-1 weatherproof application
Ambient temperature	[°C]	-30...55
Storage temperature	[°C]	-30...70
Max. relative air humidity	[%]	95; (non condensing)
Protection		IP 65; IP 67
Tests / approvals		
EMC		IEC 61496-1
Shock resistance		IEC 61496-1
Vibration resistance		IEC 61496-1

# OY511S



## Safety light grids

OYA510-02-4-12-P-4-M

Safety classification		
ESPE type (IEC 61496-1)		4
ISO 13849-1		category 4, PL e
IEC 61508		SIL 3
IEC 62061		SIL cl 3
Mission time TM	[h]	175200
Safety-related reliability PFHD	[1/h]	9E-09
Mechanical data		
Weight	[g]	4730
Materials		housing: aluminium; front lens: PC
Length L	[mm]	685
Displays / operating elements		
Display	transmitter	1 x LED
	receiver	10 x LED
Accessories		
Accessories (supplied)	mounting bracket: 4	
	slot nuts: 4	
Remarks		
Pack quantity		1 pcs.

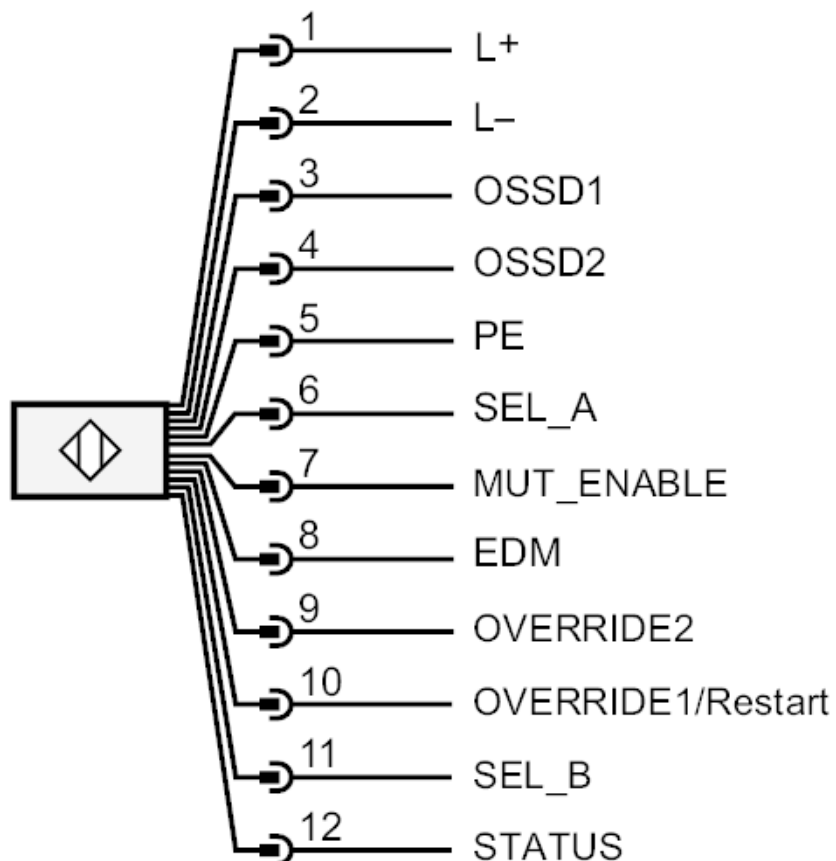


## Safety light grids

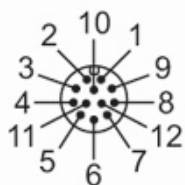
OYA510-02-4-12-P-4-M

### Electrical connection - receiver

#### Connection



Connector: 1 x M12; Maximum cable length: 100 m; for wire cross-section 1 mm<sup>2</sup>



# OY511S

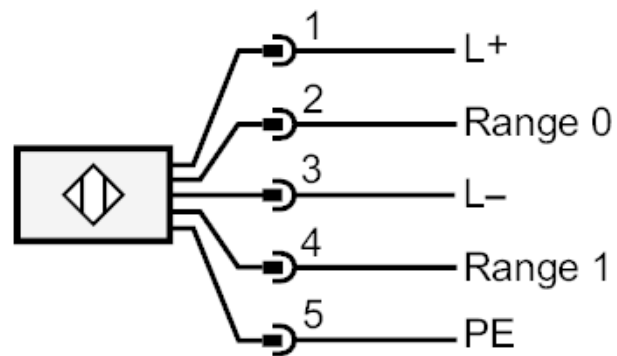


## Safety light grids

OYA510-02-4-12-P-4-M

### Electrical connection - transmitter

#### Connection



Connector: 1 x M12

