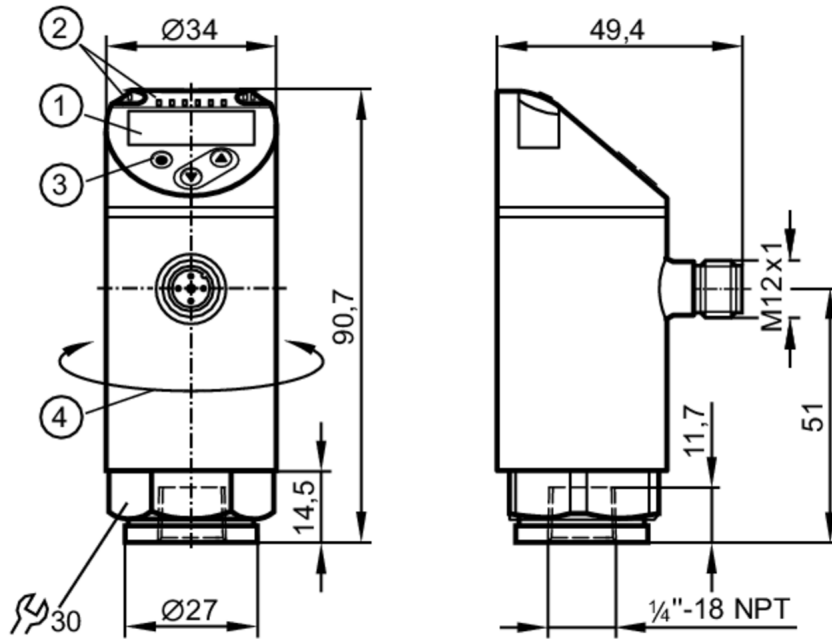


PN7293



Pressure sensor with display

PN-025-REN14-QFRKG/US/ IV



- 1 alphanumeric display 4-digit red/green
- 2 LEDs Display unit / switching status
- 3 programming button
- 4 upper part of the housing can be rotated 345°



Product characteristics

Output signal	switching signal; IO-Link; (configurable)		
Measuring range	0...25 bar	0...362 psi	0...2.5 MPa
Process connection	threaded connection 1/4 NPT internal thread		

Application

Special feature	Gold-plated contacts		
Measuring element	ceramic-capacitive pressure measuring cell		
Application	for industrial applications		
Media	liquids and gases		
Medium temperature [°C]	-25...80		
Pressure rating	150 bar	2175 psi	15 MPa
Min. bursting pressure	350 bar	5075 psi	35 MPa
Type of pressure	relative pressure		
MAWP (for applications according to CRN)	70 bar	1015 psi	7 MPa

PN7293



Pressure sensor with display

PN-025-REN14-QFRKG/US/ IV

Electrical data			
Operating voltage	[V]	18...30 DC; (according to EN 50178 SELV/PELV)	
Current consumption	[mA]	< 35	
Min. insulation resistance	[MΩ]	100; (500 V DC)	
Protection class		III	
Reverse polarity protection		yes	
Power-on delay time	[s]	< 0.3	
Integrated watchdog		yes	
Inputs / outputs			
Number of inputs and outputs		Number of digital outputs: 2	
Outputs			
Total number of outputs		2	
Output signal		switching signal; IO-Link; (configurable)	
Electrical design		PNP/NPN	
Number of digital outputs		2	
Output function		normally open / normally closed; (parameterisable)	
Max. voltage drop switching output DC	[V]	2.5	
Permanent current rating of switching output DC	[mA]	150; (200 (...60 °C) 250 (...40 °C))	
Switching frequency DC	[Hz]	< 170	
Short-circuit protection		yes	
Type of short-circuit protection		pulsed	
Overload protection		yes	
Measuring/setting range			
Measuring range		0...25 bar	0...362 psi
			0...2.5 MPa
Factory setting / CMPT = 2			
Set point SP		0.2...25 bar	4...362 psi
			0.02...2.5 MPa
Reset point rP		0.1...24.9 bar	2...360 psi
			0.01...2.49 MPa
Min. difference between SP and rP		0.2 bar	2 psi
			0.02 MPa
In steps of		0.1 bar	2 psi
			0.01 MPa
Status_B High Resolution / CMPT = 3			
Set point SP		0.2...25 bar	3...363 psi
			0.02...2.5 MPa
Reset point rP		0.1...24.9 bar	1...361 psi
			0.01...2.49 MPa
Min. difference between SP and rP		0.2 bar	2 psi
			0.02 MPa
In steps of		0.1 bar	1 psi
			0.01 MPa
Accuracy / deviations			
Switch point accuracy		< ± 0,5	
	[% of the span]		
Repeatability		< ± 0,1; (with temperature fluctuations < 10 K)	
	[% of the span]		
Characteristics deviation		< ± 0,25 (BFSL) / < ± 0,5 (LS); (BFSL = Best Fit Straight Line; LS = limit value setting)	
	[% of the span]		
Hysteresis deviation		< ± 0,25	

PN7293



Pressure sensor with display

PN-025-REN14-QFRKG/US/ IV

	[% of the span]	
Long-term stability	[% of the span]	< ± 0,05; (per 6 months)
Temperature coefficient zero point	[% of the span / 10 K]	< ± 0,2; (-0...80 °C)
Temperature coefficient span	[% of the span / 10 K]	< ± 0,2; (-0...80 °C)

Response times

Response time	[ms]	< 3
Delay time programmable dS, dr	[s]	0...50

Software / programming

Parameter setting options	hysteresis / window; normally open / normally closed; switching logic; switch-on/switch-off delay; Damping; Display unit
---------------------------	--

Interfaces

Communication interface	IO-Link	
Transmission type	COM2 (38,4 kBaud)	
IO-Link revision	1.1	
SDCI standard	IEC 61131-9	
SIO mode	yes	
Required master port type	A; (when pin 2 not connected: B)	
Supported DeviceIDs	Type of operation	DeviceID
	Factory setting / CMPT = 2	453 d / 00 01 c5 h
	Status_B High Resolution / CMPT = 3	631 d / 00 02 77 h
Note	For further information please see the IODD PDF file at "Downloads"	

Factory setting / CMPT = 2

Profiles	Smart Sensor: Process Data Variable; Device Identification, Device Diagnosis	
Min. process cycle time	[ms]	2.3
IO-Link resolution pressure	[bar]	0.1
IO-Link resolution pressure	[MPa]	0.01
IO-Link functions (cyclical)	function	bit length
	pressure	14
	binary switching information	2
IO-Link functions (acyclical)	application specific tag	

Status_B High Resolution / CMPT = 3

Profiles	Smart Sensor ED2: Digital Measuring Sensor (0x000A), Identification and Diagnosis (0x4000)	
Min. process cycle time	[ms]	3
IO-Link resolution pressure	[bar]	0.01
IO-Link resolution pressure	[MPa]	0.001
IO-Link functions (cyclical)	function	bit length
	pressure	16
	device status	4
	binary switching information	2
IO-Link functions (acyclical)	application specific tag	

PN7293



Pressure sensor with display

PN-025-REN14-QFRKG/US/ IV

Operating conditions		
Ambient temperature	[°C]	-25...80
Storage temperature	[°C]	-40...100
Protection		IP 65; IP 67
Tests / approvals		
EMC	DIN EN 61000-6-2	
	DIN EN 61000-6-3	
Shock resistance	DIN EN 60068-2-27	50 g (11 ms)
Vibration resistance	DIN EN 60068-2-6	20 g (10...2000 Hz)
MTTF	[years]	260
UL approval	UL Approval no.	J001
Pressure Equipment Directive	Sound engineering practice; can be used for group 2 fluids; group 1 fluids on request	
Mechanical data		
Weight	[g]	222
Materials	stainless steel (1.4404 / 316L); PBT+PC-GF30; PBT-GF20; PC	
Materials (wetted parts)	stainless steel (1.4404 / 316L); ceramics; FKM	
Min. pressure cycles	100 million	
Tightening torque	[Nm]	2...3 turns after hand-fastening; recommended tightening torque; depends on lubrication, seal and pressure rating
Process connection	threaded connection 1/4 NPT internal thread	
Restrictor element integrated	no (can be retrofitted)	
Displays / operating elements		
Display	Display unit	3 x LED, green (bar, psi, MPa)
	switching status	2 x LED, yellow
	measured values	alphanumeric display, red/green 4-digit
Remarks		
Pack quantity	1 pcs.	
Electrical connection		
Connector: 1 x M12; Contacts: gold-plated		

PN7293



Pressure sensor with display

PN-025-REN14-QFRKG/US/ IV

Connection



OUT1 switching output

IO-Link

OUT2 switching output

colours to DIN EN 60947-5-2

Core colours :

BK = black

BN = brown

BU = blue

WH = white