

## CUBE67 I/O COMPACT MODULE

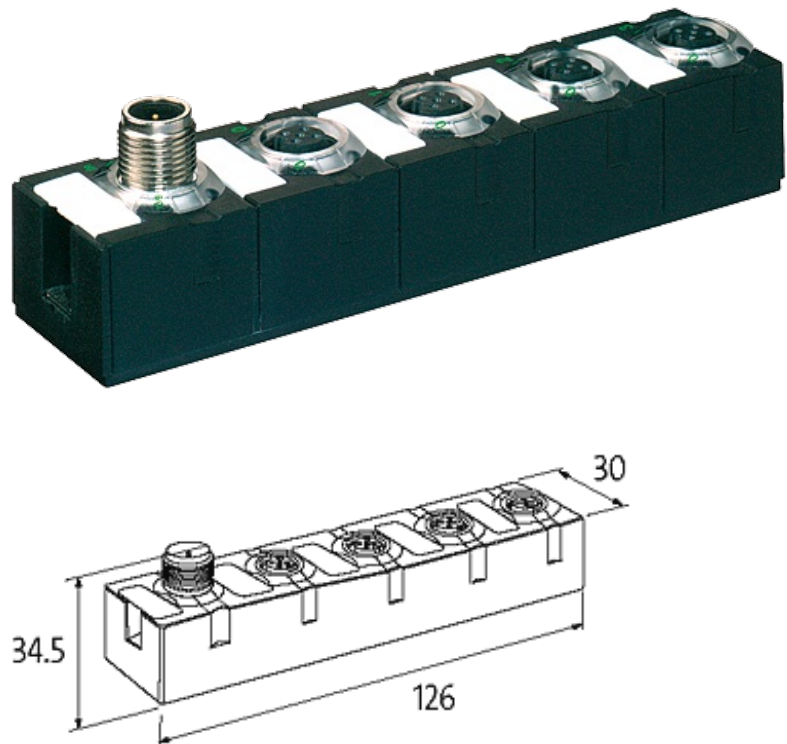
4 analog inputs (TH)

Compact module  
AI4 - (C) 4xM12 (TH)  
for thermo elements

Housing fully potted. For connection cables please see chapter "Connection Technology"

### [Link to Product](#)

#### Illustration



Product may differ from Image

#### Approvals



#### Input

Sensor type	K, N, J, E, R
Conversion time (analog)	approx. 65 ms per channel
Resolution (analog)	15 Bit + sign
Accuracy	max. $\pm 0.5\%$ (of range limit)

Connection	2-wire technology
Cold junction compensation	inside M12 connector
<b>Internal communication</b>	
Current consumption	max. 50 mA
LED display	US: sensor supply and internal supply voltage (green: OK); UA: actuator supply (green: OK)
<b>Connections</b>	
Fieldbus	via internal system connection
Sensor-system/actuator supply	via internal system connection (max. 2×4 A)
I/O ports	M12 (male) 5-pole, A-coded
<b>General data</b>	
Protection	IP67
Mounting method	2-hole screw mounting
Temperature range	0...+55 °C (storage temperature -20...+75 °C)
Dimensions H × W × D	126×30×34.5 mm
<b>Diagnostic</b>	
Communication status	via LED
Diagnostic via LED	per module and channel
Diagnostic via BUS	per module and channel
Monitoring - under voltage	yes
Monitoring - no voltage	yes
Short circuit and overload	yes
Actuator warning	per channel via LED and BUS
Wire break upper/lower limit overload	per channel via LED and BUS
<b>Commercial data</b>	
country of origin	DE
customs tariff number	85176200
minimum order quantity	1