

M12 Y-distributor / M8 female 0°

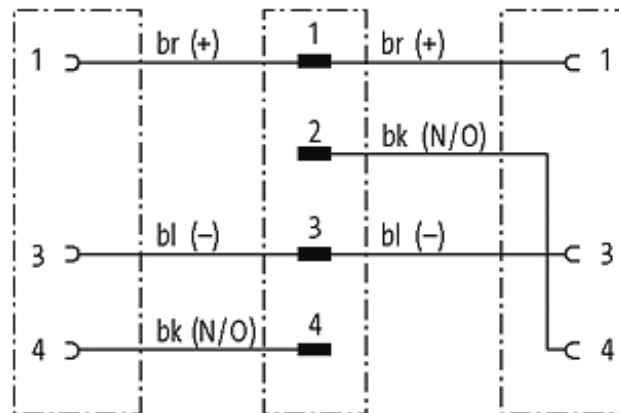
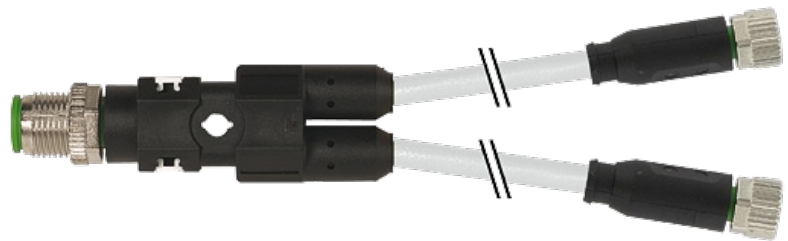
PUR 3x0.34 gy UL/CSA+drag chain 0.3m

Male straight to female straight
Y-connector M12 - M8, 4-pole

Plastic housings with good resistance against chemicals and oils. The resistance to aggressive media should be individually tested for your application. Further details on request. Further cable lengths on request.

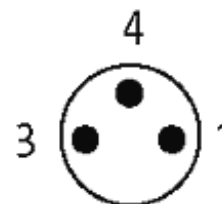
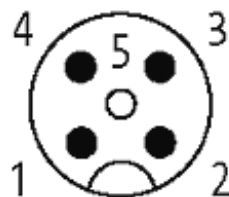
[Link to Product](#)

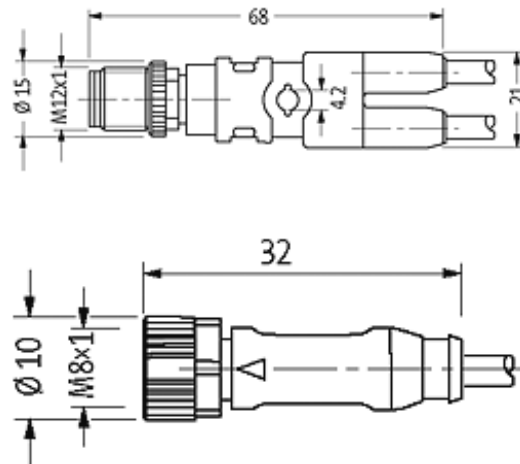
Illustration



Y-Male

Females





Product may differ from Image

Approvals



Form

40821

Technical Data

| | |
|-------------------------------|---|
| Operating voltage | max. 60 V AC/DC |
| Operating current per contact | max. 4 A |
| Locking of ports | Screw thread M8/M12 × 1 mm (recommended torque 0.4/0.6 Nm), self-securing |
| Protection | IP67 inserted and tightened (EN 60529) |

Cables

| | |
|-----------------------------|--------------------------|
| Cable number | 233 |
| No./diameter of wires | 3 × 0.34 mm ² |
| Wire isolation | PP (br, bl, bk) |
| C-track properties | 5 Mio. |
| Torsion | 2 Mio. ± 180°/m |
| Jacket Color | gray |
| Shore hardness outer jacket | 90 ± 5A |
| Material (jacket) | PUR (UL/CSA) |
| Outer diameter | approx. 4.3 mm |
| Bend radius (fixed) | 5 × outer Ø |
| Bend radius (moving) | 10 × outer Ø |
| Temperature range (fixed) | -40...+80 °C |
| Temperature range (mobile) | -25...+80 °C |

Commercial data

country of origin DE

| | |
|------------------------|----------|
| customs tariff number | 85444290 |
| minimum order quantity | 1 |
