



Model Number

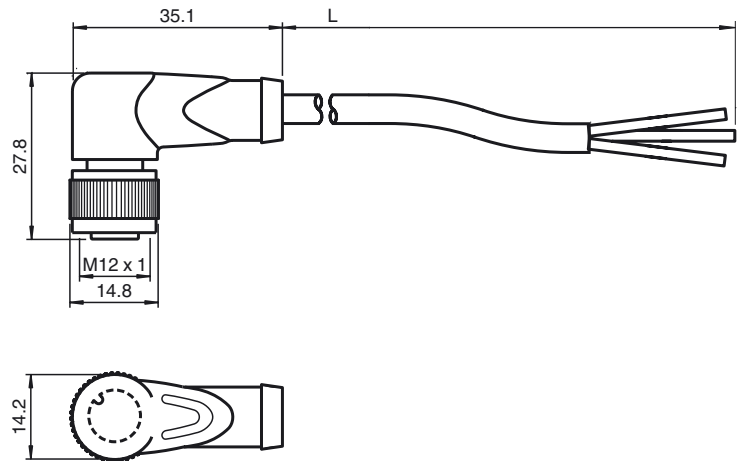
V11-W-BK10M-PUR-U

Female cordset, M12, 3-pin, PUR cable

Features

- UL Recognized Component
- Knurled nut suitable for tool assembly
- Immunity to vibration, with mechanical latching
- Gold plated contacts
- Flame resistant cable
- Halogen-free
- Suitable for drag chains

Dimensions



Technical data

General specifications

Number of pins	3
UL File Number	E231213

Electrical specifications

Operating voltage	U_B	max. 250 V AC/DC
Operating current	I_B	max. 4 A
Contact resistance		< 10 m Ω

Ambient conditions

Ambient temperature	Body: -40 ... 90 °C (-40 ... 194 °F) cable, fixed: -40 ... 80 °C (-40 ... 176 °F) cable, flexing: -20 ... 80 °C (-4 ... 176 °F)
---------------------	---

Pollution Degree	3
------------------	---

Mechanical specifications

Contact elements	spring-loaded contact socket
Pin diameter	1 mm
Degree of protection	IP67 / IP68 / IP69k

Material

Contacts	CuSn / Au
Contact surface	Au
Body	TPU, black
Cable	PUR
Slotted nut	Diecast zinc
Core insulation	PP

Cable

Sheath diameter	\varnothing 4.3 mm
Bending radius	> 10 x cable diameter, moving > 5 x cable diameter, fixed

Color	black
-------	-------

Number of cores	3
-----------------	---

Core cross-section	0.34 mm ²
--------------------	----------------------

Conductor construction	42 x 0.1 mm \varnothing
------------------------	---------------------------

Length	L	10 m
--------	---	------

Drag chain suitability

Drag chain cycles	\geq 5000000
-------------------	----------------

Motion velocity	\leq 3.3 m/s
-----------------	----------------

Acceleration	\leq 5 m/s ²
--------------	---------------------------

Torsional stress	\pm 180 °/m
------------------	---------------

Flammability

Contact carrier	HB
-----------------	----

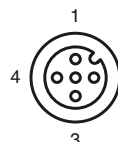
Housing	V-2
---------	-----

Cable	flame-resistant
-------	-----------------

Compliance with standards and directives

Standard conformity	
---------------------	--

Electrical connection



1	-----	BN
3	-----	BU
4	-----	BK



Degree of protection	EN 60529:2000
Standards	IEC 61076-2-101:2008
Flammability	Body: UL 94 Line: UL 1581 Section 1061; IEC 60332-1-2:2004
Halogen-free	IEC 60754-1:1994
Approvals and certificates	
UL approval	UL Recognized General purpose
Maximum permissible operating voltage ≤ 30 V	
Maximum permissible ambient temperature ≤ 80 °C (≤ 176 °F)	

Release date: 2015-11-06 22:40 Date of issue: 2015-11-06 241804_eng.xml