



SIRIUS POSITION SWITCH; PLASTIC HOUSING
OPEN TYPE 30MM METAL PLUNGER, CAN BE
EQUIPPED WITH ANY CONTACTS

Product designation		empty enclosure, open type
General technical data:		
Vibration resistance		0.35 mm / 5g
Material of the enclosure of the switch head		plastic
Equipment marking		B
<ul style="list-style-type: none"> • acc. to DIN EN 61346-2 • acc. to DIN EN 81346-2 		B
Active principle		mechanical
Explosion protection category for dust		none
Explosion protection category for gas		none
Minimum actuating force in activation direction	N	20
Enclosure:		
Material of the enclosure		plastic, open-type
Coating of the enclosure		Other types
Design of the housing acc. to standard		No
Drive Head:		
Design of the operating mechanism		Metal plunger
Standard-compliant actuator head		EN 50047, design B
Shape of the switch head		rounded
Communication/ Protocol:		
Design of the interface		without
Ambient conditions:		
Ambient temperature		
<ul style="list-style-type: none"> • during operation 	°C	-25 ... +85




- during storage

°C	-40 ... +90
----	-------------

Installation/ mounting/ dimensions:

mounting position	any
Mounting type	screw fixing

Certificates/ approvals:

General Product Approval	Declaration of Conformity	Test Certificates	other
 CSA	 UL	 EAC	 EG-Konf.
		Special Test Certificate	Confirmation

Further information

Information- and Downloadcenter (Catalogs, Brochures,...)

<http://www.siemens.com/industrial-controls/catalogs>

Industry Mall (Online ordering system)

<http://www.siemens.com/industrymall>

Cax online generator

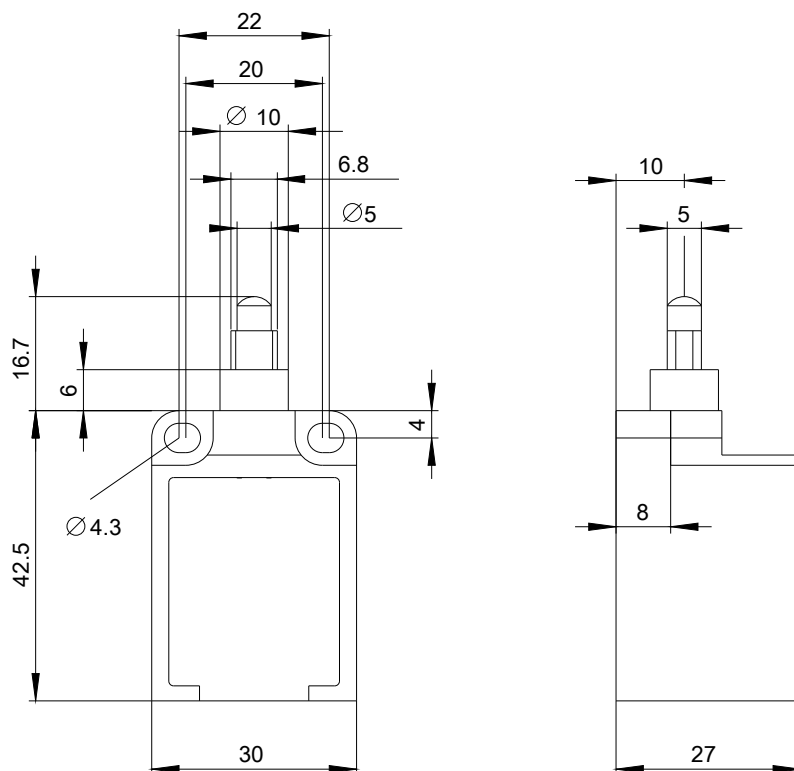
<http://support.automation.siemens.com/WW/CAXorder/default.aspx?lang=en&mfb=3SE52500AC05>

Service&Support (Manuals, Certificates, Characteristics, FAQs,...)

<http://support.automation.siemens.com/WW/view/en/3SE52500AC05/all>

Image database (product images, 2D dimension drawings, 3D models, device circuit diagrams, EPLAN macros, ...)

http://www.automation.siemens.com/bilddb/cax_de.aspx?mfb=3SE52500AC05&lang=en



last modified:

16.03.2015