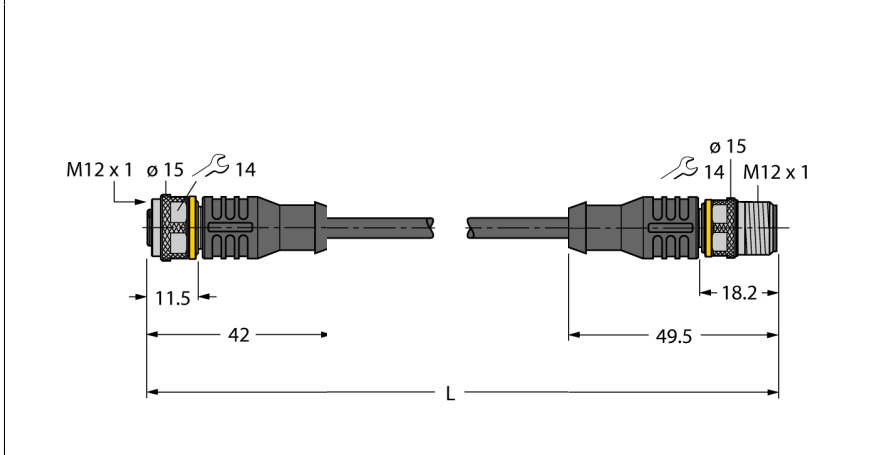


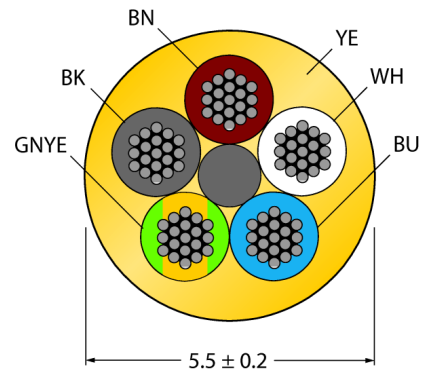
Actuator And Sensor Cable / PVC extension cable
RKC5T-0,6-RSC5T/TEY



- Female M12, straight, 4-pin + PE
- Male M12, straight, 4-pin + PE
- Sheath material: PVC
- Sheath color: yellow
- Resistant to chemicals and oils
- Flame retardant
- Resistant to acids and alkaline solutions
- Resistant to microbes and hydrolysis
- LABS free
- Approval: cULus
- RoHS conform
- Protection class IP67
- Cable length: 0.6 m

Type designation RKC5T-0,6-RSC5T/TEY
Ident no. 6629921

Cable Cross-section



Connector A side
 Number of pins: Female connector, M12 1, Straight 4+PE
 Contacts: Brass, CuZn, Gold-plated
 Contact carriers: Plastic, TPU, Black
 Grip: Plastic, TPU, Black
 Coupling nut/screw: Brass, CuZn, Nickel-plated
 Seal: Plastic, FPM/FKM
 Protection class: IP67, A + B side screwed together
 Mechanical lifespan: > 100 Mating cycles
 Pollution degree: 3
 Tightening torque: 0.8 ... 1 Nm (observe max. torque of counter piece!)

Connector B side
 Number of pins: Connector, M12 x 1, Straight 4+PE pins
 Contacts: brass, CuZn, Gold-plated
 Contact carriers: Plastic, TPU, Black
 Grip: plastic, TPU, black
 Coupling nut/screw: Brass, CuZn, Nickel-plated
 Protection class: IP67, only in screwed state
 Mechanical lifespan: > 100 Mating cycles
 Pollution degree: 3
 Tightening torque: 0.8 ... 1 Nm (observe max. torque of counter piece!)

General data
 Cable diameter: 5.5 ± 0.20mm
 Cable length: 0.6 m
 Cable quality: PVC
 Cable color: Yellow
 Core insulation: PVC
 Core colors: BN, WH, BU, BK, GNYE
 Core cross-section: 5x0.34mm²
 Arrangement of strands: 42x0.1 mm

General information

Drawing depicts design version including hexagon coupling nut (Production date after CW11/2016).

Circuit Diagram



Electrical features at +20 °C
 Current: 4 A
 Rated voltage: 60 V
 Insulation resistance: > 30.5 MΩ/km
 Test voltage: 2000 V
 Forward resistance: max. 57 Ω/km

**Actuator And Sensor Cable / PVC
extension cable
RKC5T-0,6-RSC5T/TEY**

TURCK

Industrial
Automation

Mechanical and chemical properties


Bending radius (stationary laying)	> 5 x Ø
Bending radius (flexible use)	> 10 x Ø
Ambient temperature	
Stationary	-40...+105°C
In motion	0...+80°C

**Actuator And Sensor Cable / PVC
extension cable
RKC5T-0,6-RSC5T/TEY**

TURCK

Industrial
Automation

Accessories

Type code	Ident no.	Description	
Torque-Wrench-Set-AS	6936170	Torque wrench set; handles with adjustable torque 0.4-1.0 Nm, torque wrench for M8 (SW9), fork wrench for M12 (SW 14)	
BLANK-LABEL-FOR-CORDESETS-TEL-TXL	6936206	Label for TEL and TXL cables, length: 18 mm, height: 4 mm, material: polycarbonate (PC), color: white, halogen-free and flame-retardant	