



# VALPRO PRODUCT INSTRUCTION MANUALS

# TABLE OF CONTENTS

## Fuel cans

### CLASSIC LINE

Opening a Classic line fuel can ..... 3  
Closing a Classic line fuel can ..... 4

### PROGRESSIVE LINE

Opening a Progressive line fuel can with a screw cap ..... 5  
Closing a Progressive line fuel can with screw cap ..... 6  
Opening a Proper 2 L fuel can ..... 7  
Closing a Proper 2 L fuel can ..... 8

## Fuel spouts

### SMART SPOUT

Connecting the "Smart Spout" to a Classic line fuel can' ..... 9  
Removing the "Smart Spout" from a Classic fuel can.....10  
Connecting the "Smart Spout" to a Progressive line fuel can with screw cap .....11  
Removing the "Smart Spout" from a Progressive line fuel can with screw cap.....12

### UNIVERSAL SPOUT

Connecting the "Universal Spout" to a Classic line fuel can .....13  
Removing the "Universal Spout" from a Classic line fuel can .....14

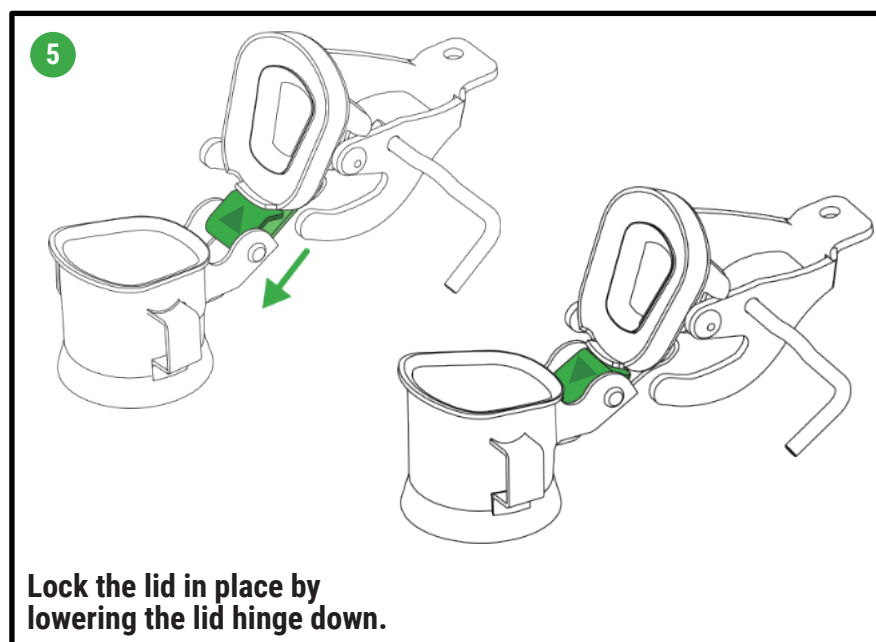
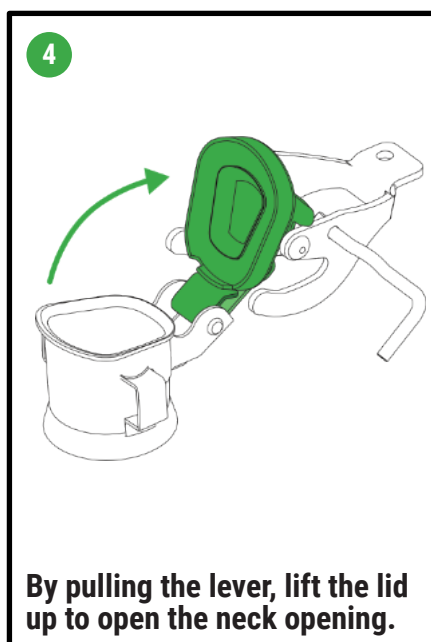
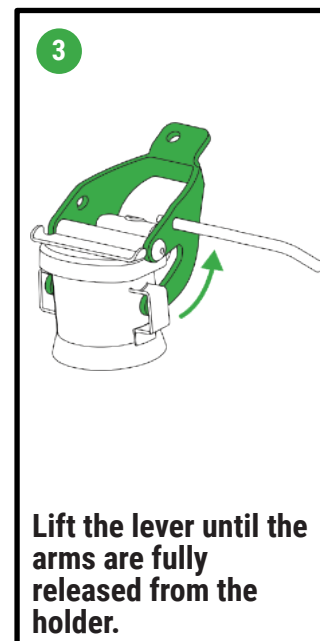
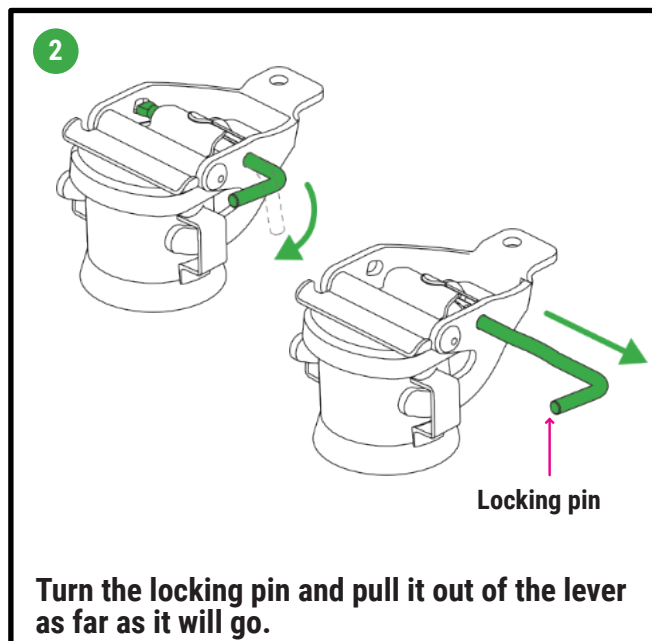
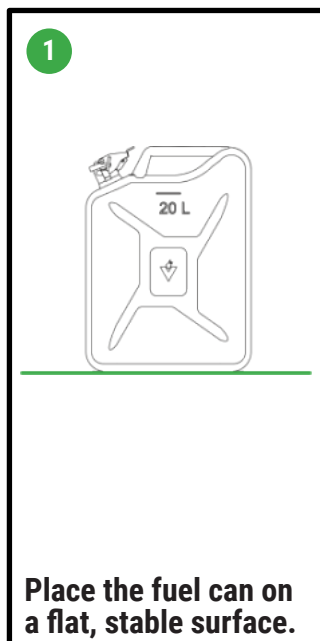
### FLEXI SPOUT

Connecting the "Flexi Spout" to a Classic line fuel can .....15  
Removing the "Flexi Spout" from a Classic line fuel can.....16  
Connecting the "Flexi Spout" to a Progressive line fuel can with screw cap .....17  
Removing the "Flexi Spout" from a Progressive line fuel can with screw cap .....18

## Warnings and recommendations

Warnings and recommendations on fuel cans .....19  
Warnings and recommendations on fuel spouts "Smart Spout" .....20  
Warnings and recommendations on Flexi and Universal fuel spouts .....21

## Opening a Classic line fuel can

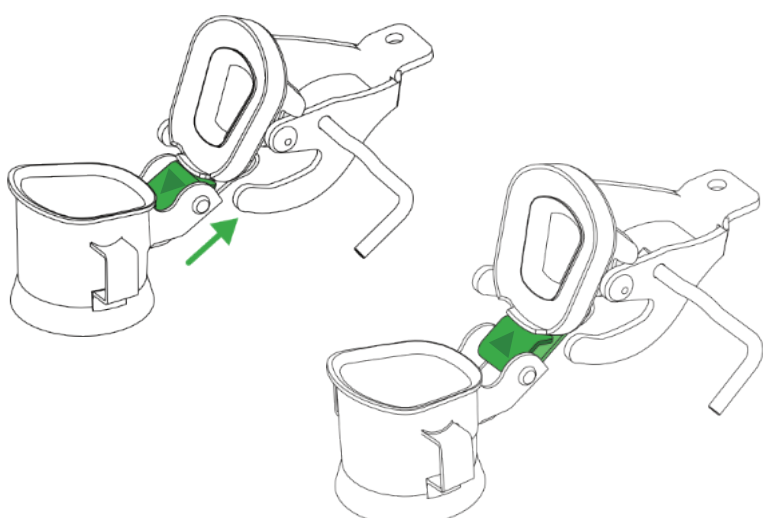


[Warnings and recommendations](#)

[Back to content](#)

## Closing a Classic line fuel can

**1**



**Important!**  
Before closing the fuel can lid, pull the lid with the hinge up by the lever.

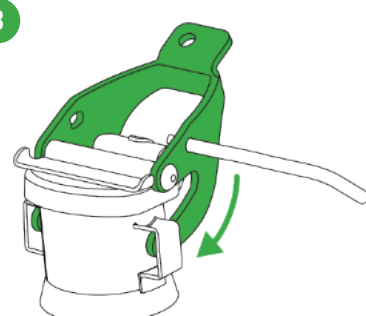
**2**



Push the lever forward until the lid completely covers the neck opening.

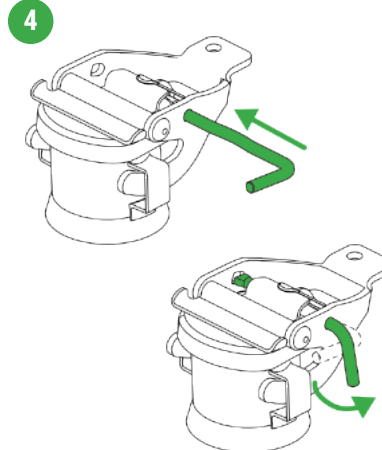
If the lever does not move forward - see step No. 1.  
The lever with the lid should move easily. Closing with too much force will damage the fuel can.

**3**



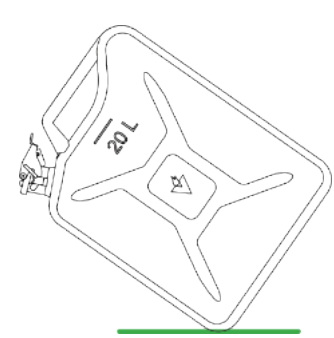
Close the lever by pressing the lever down as far as it will go.

**4**



Insert the locking pin through the lever and rotate it 90 degrees.

**5**



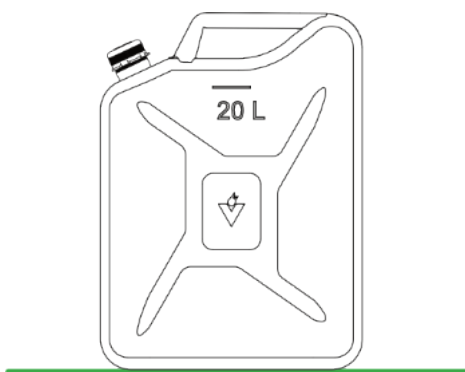
**Caution!**  
Whenever tilted, make sure that the fuel can is airtight.

[Warnings and recommendations](#)

[Back to content](#)

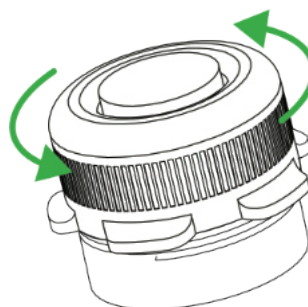
# Opening a Progressive line fuel can with a screw cap

1



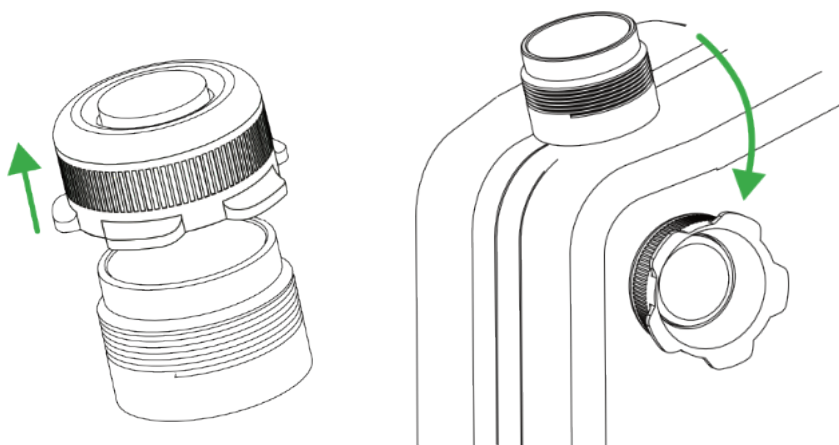
Place the fuel can on a flat, stable surface.

2



Open the fuel can by screwing the cap counterclockwise.

3

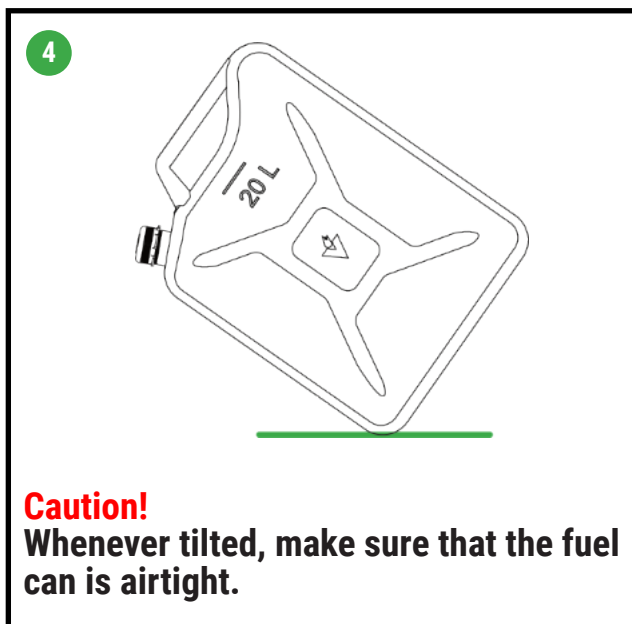
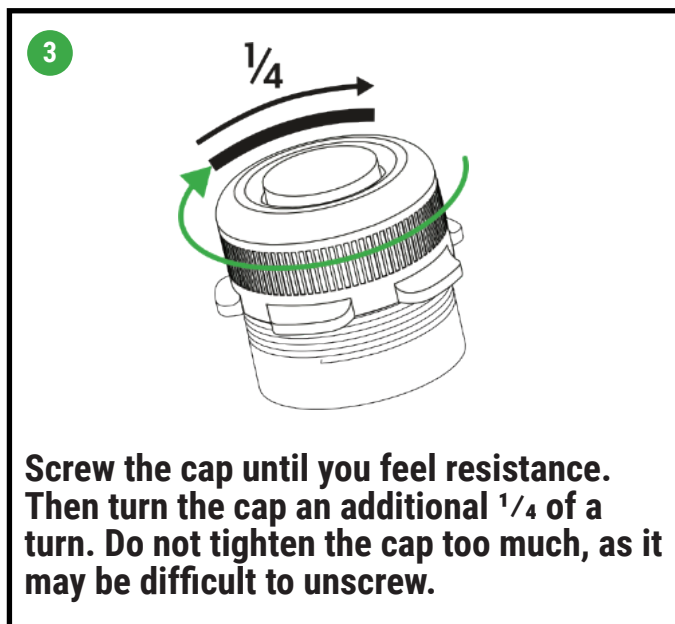
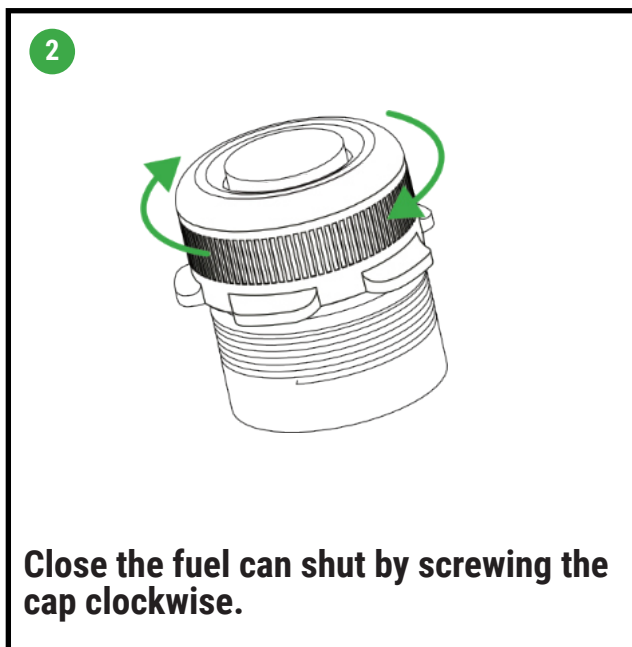
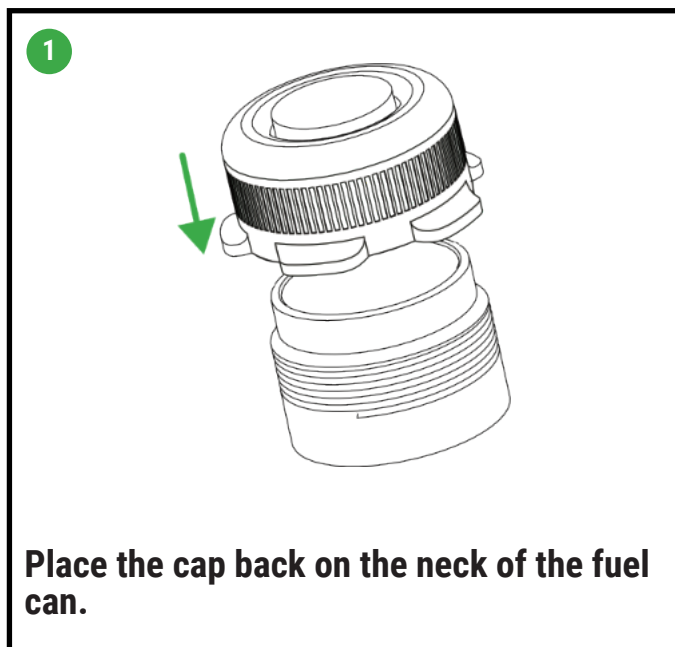


For your convenience, stick the removed cap to the fuel can with the help of the incorporated magnet.

[Warnings and recommendations](#)

[Back to content](#)

## Closing a Progressive line fuel can with screw cap

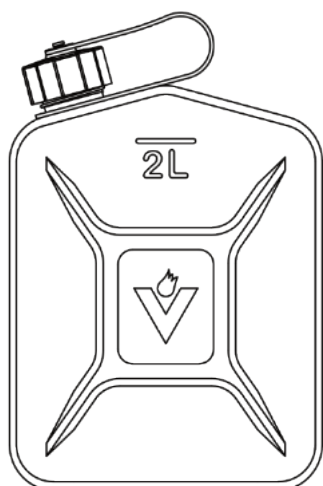


Warnings and recommendations

Back to content

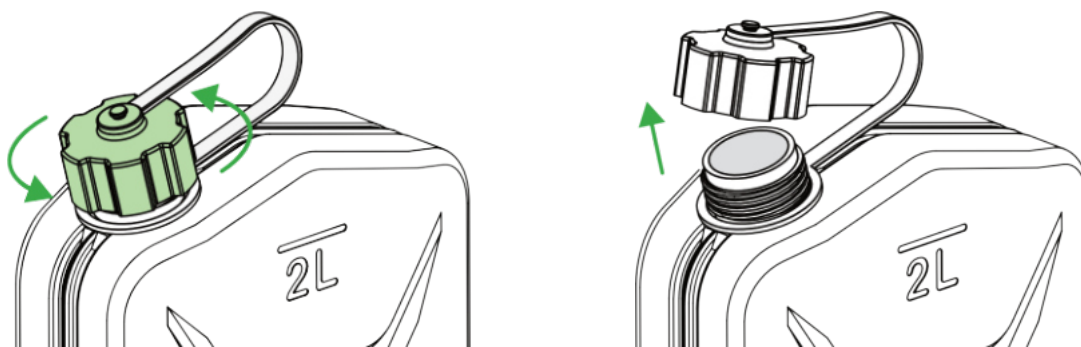
## Opening a Proper 2 L fuel can

1



Place the fuel can on a flat, stable surface.

2

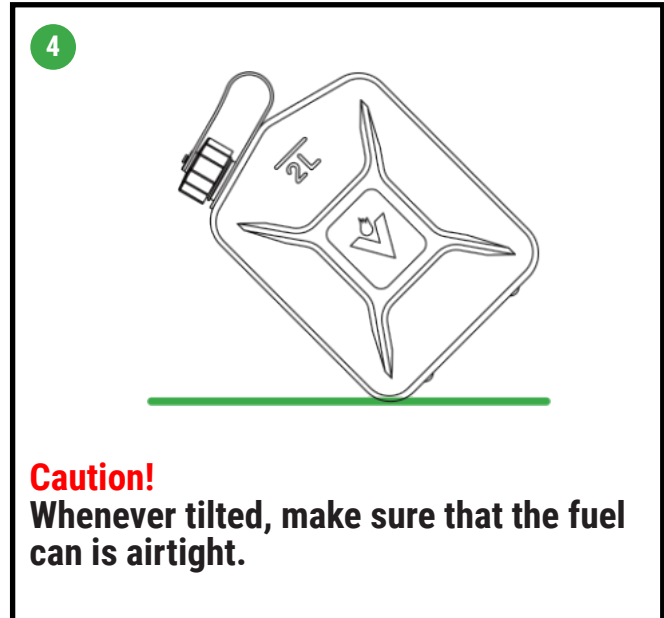
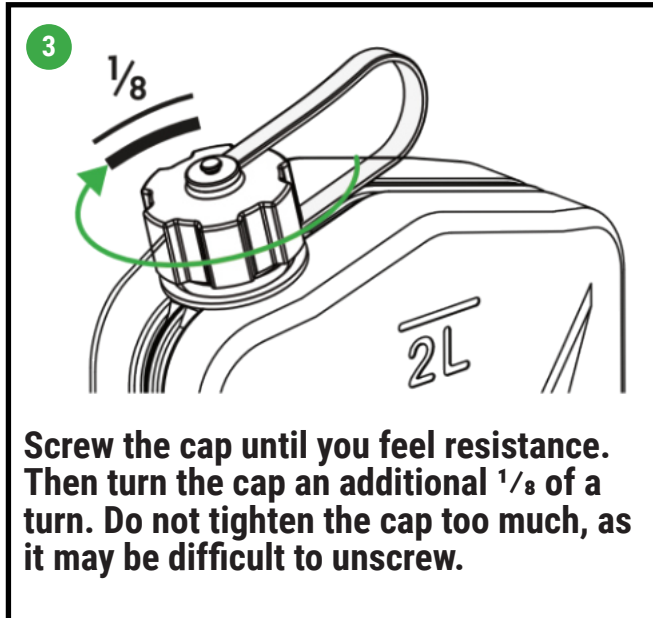
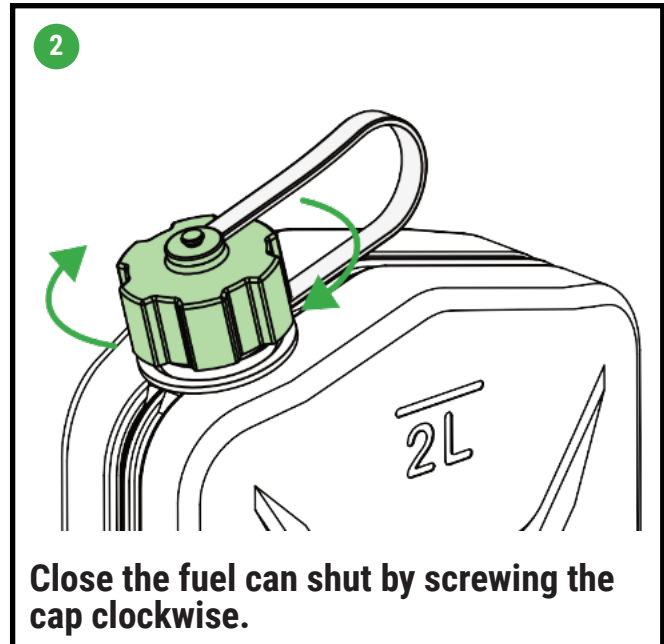


Open the fuel can by screwing the cap counterclockwise.

[Warnings and recommendations](#)

[Back to content](#)

## Closing a Proper 2 L fuel can



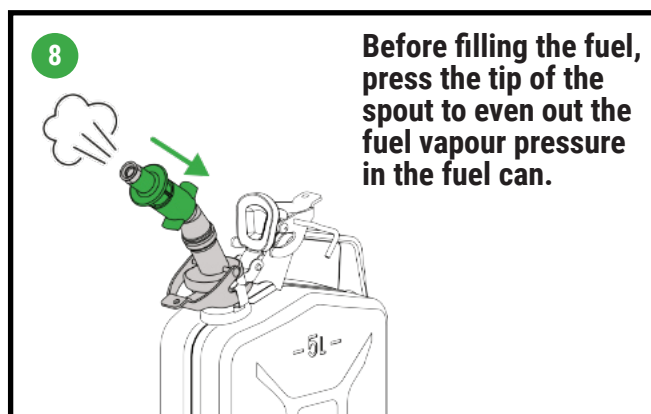
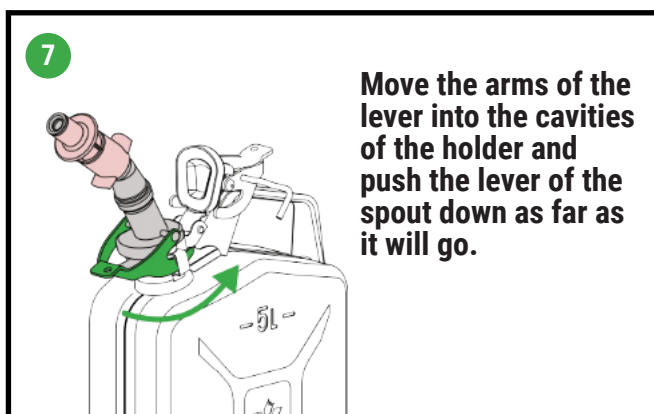
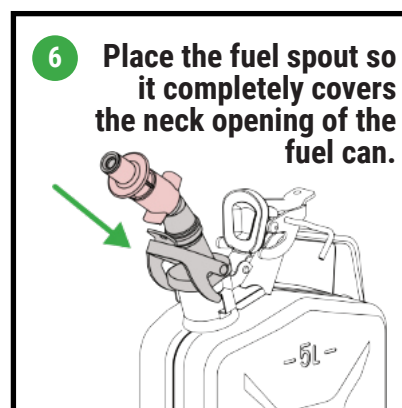
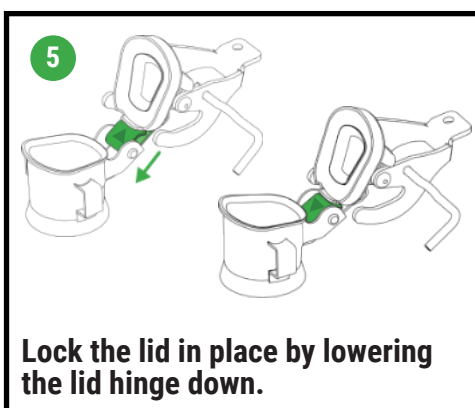
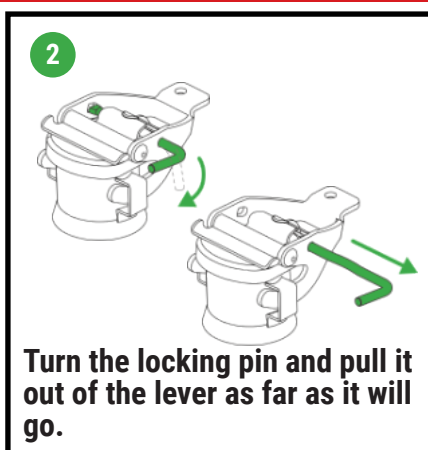
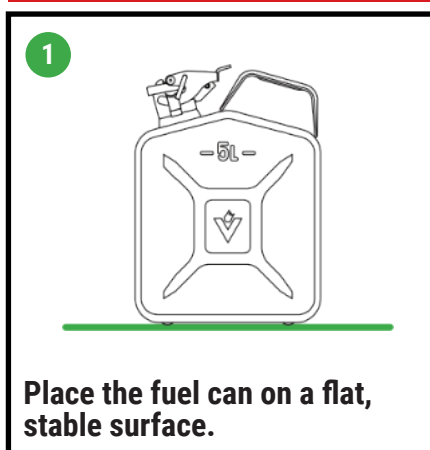
Warnings and recommendations

Back to content



## Connecting the "Smart Spout" to a Classic line fuel can'

VALPRO SMART SPOUT fuel spout is only compatible with the 5 L and 10 L fuel cans manufactured by SIA VALPRO. SIA VALPRO is not responsible for the compatibility of the product with metal fuel cans made by other manufacturers.

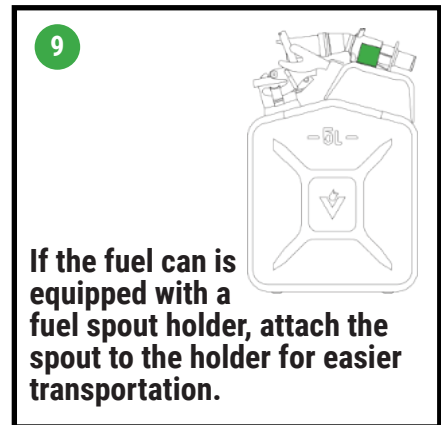
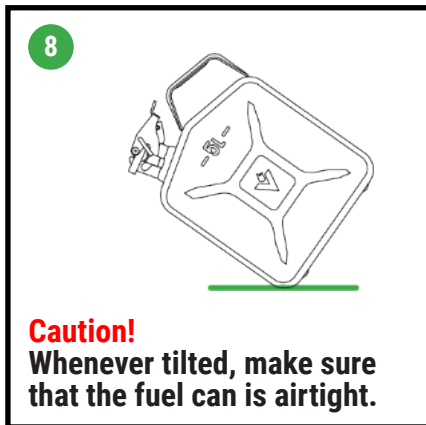
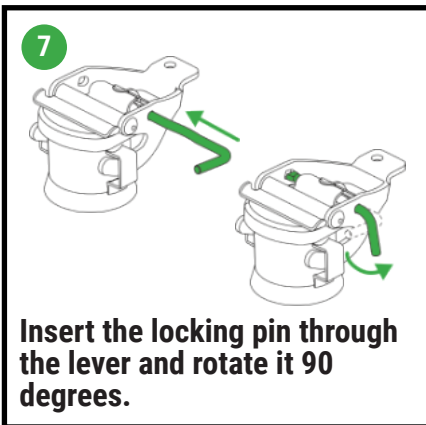
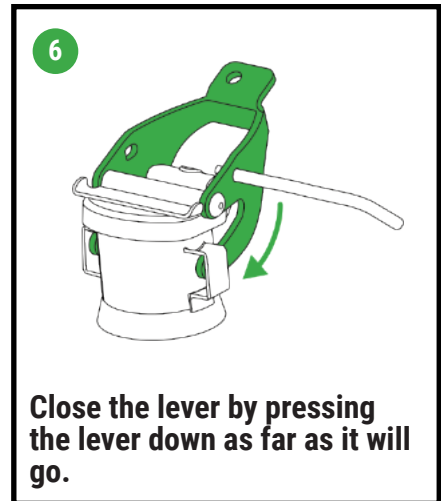
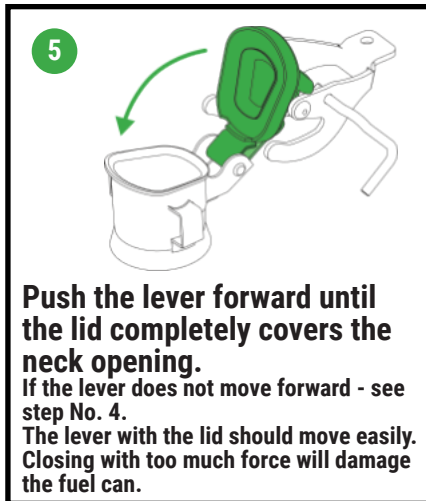
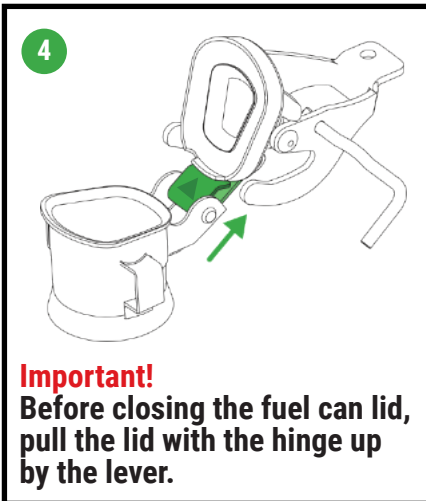
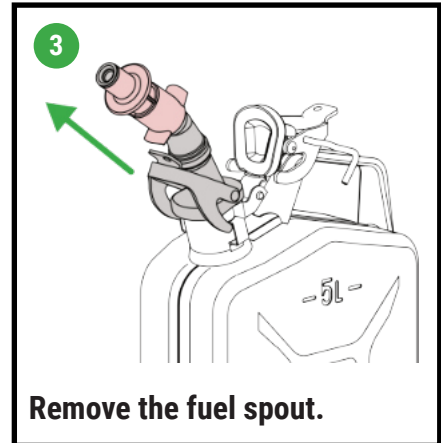
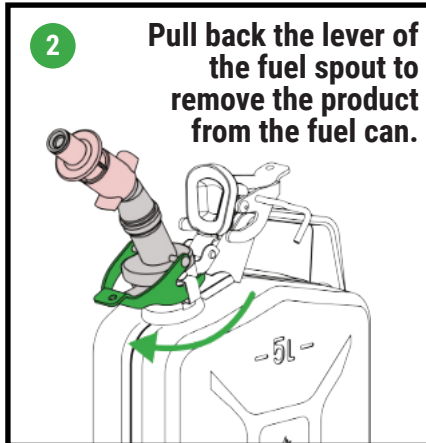
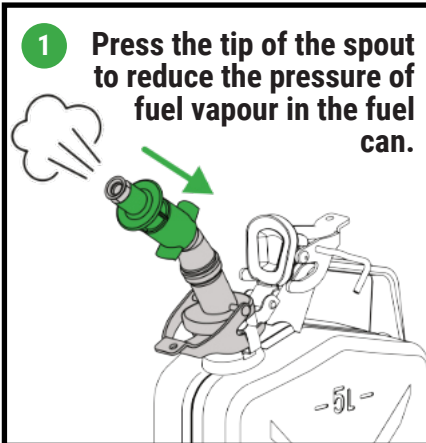


Warnings and recommendations

Back to content

# Removing the "Smart Spout" from a Classic fuel can

VALPRO SMART SPOUT fuel spout is only compatible with the 5 L and 10 L fuel cans manufactured by SIA VALPRO. SIA VALPRO is not responsible for the compatibility of the product with metal fuel cans made by other manufacturers.



Warnings and recommendations

Back to content

## VALPRO PRODUCT INSTRUCTION MANUALS

# Connecting the “Smart Spout” to a Progressive line fuel can with screw cap

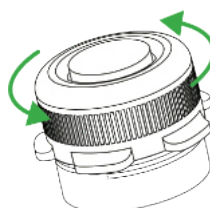
VALPRO SMART SPOUT fuel spout is only compatible with the 5 L and 10 L fuel cans manufactured by SIA VALPRO. SIA VALPRO is not responsible for the compatibility of the product with metal fuel cans made by other manufacturers.

1



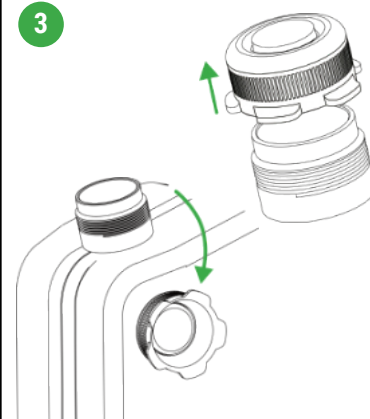
Place the fuel can on a flat, stable surface.

2



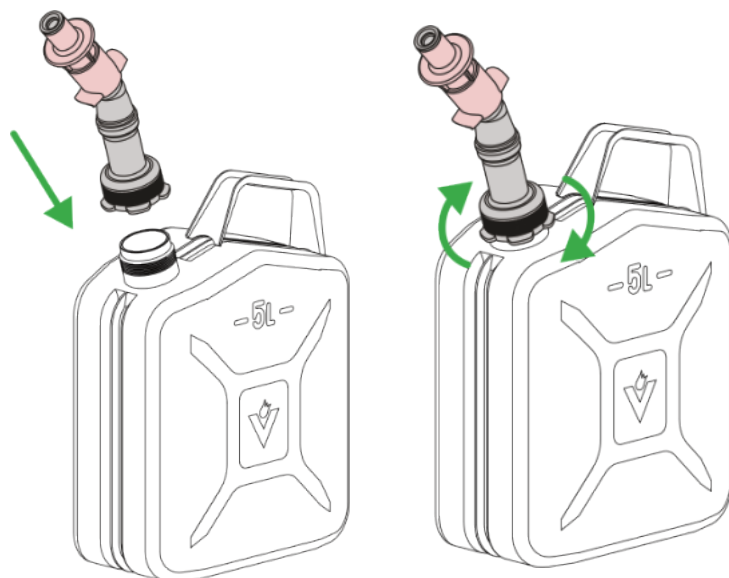
Open the fuel can by screwing the cap counterclockwise.

3



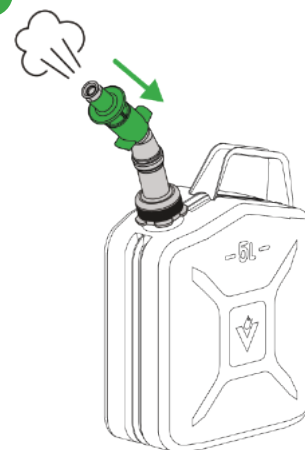
For your convenience, place the removed cap on the fuel can with the help of the incorporated magnet.

4



Screw the spout on by turning it clockwise until you feel resistance of the seal. Then turn the spout an additional  $\frac{1}{4}$  of a turn.

5



Before filling the fuel, press the tip of the spout to even out the fuel vapour pressure in the fuel can.

Warnings and recommendations


Back to content

# VALPRO PRODUCT INSTRUCTION MANUALS

## Removing the “Smart Spout” from a Progressive line fuel can with screw cap

**VALPRO SMART SPOUT fuel spout is only compatible with the 5 L and 10 L fuel cans manufactured by SIA VALPRO. SIA VALPRO is not responsible for the compatibility of the product with metal fuel cans made by other manufacturers.**

**1**



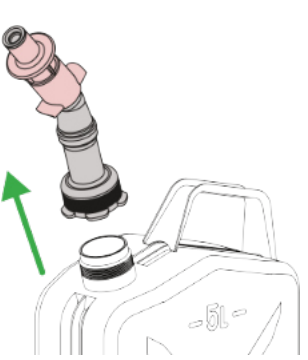
Press the tip of the spout to reduce the pressure of fuel vapour.

**2**



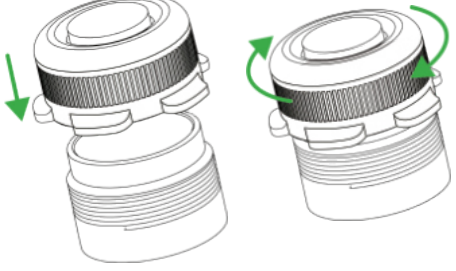
Unscrew the spout from the fuel can by turning it counterclockwise.

**3**



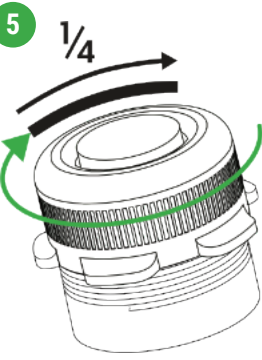
Remove the fuel spout.

**4**




Place the cap back on the neck of the fuel can. Close the fuel can shut by screwing the cap clockwise.

**5**



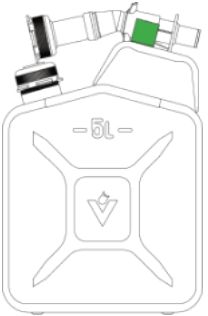
Screw the cap until you feel resistance. Then turn the cap an additional  $\frac{1}{4}$  of a turn. Do not tighten the cap too much, as it may be difficult to unscrew.

**6**



**Caution!** Whenever tilted, make sure that the fuel can is airtight.

**7**



If the fuel can is equipped with a fuel spout holder, attach the spout to the holder for easier transportation.

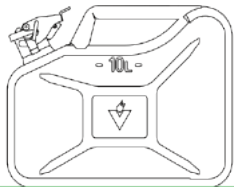
Warnings and recommendations

Back to content



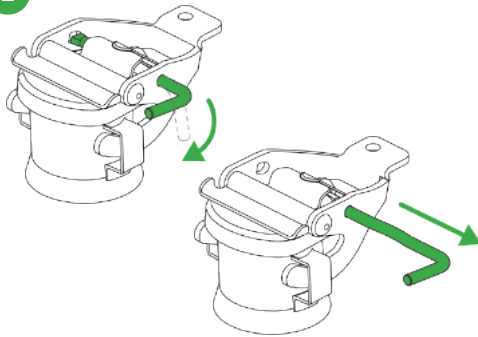
# Connecting the "Universal Spout" to a Classic line fuel can

1



Place the fuel can on a flat, stable surface.

2



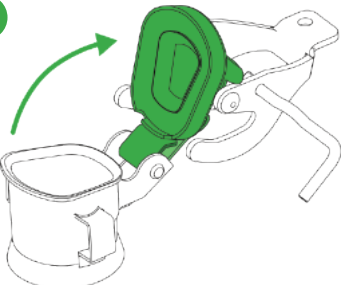
Turn the locking pin and pull it out of the lever as far as it will go.

3



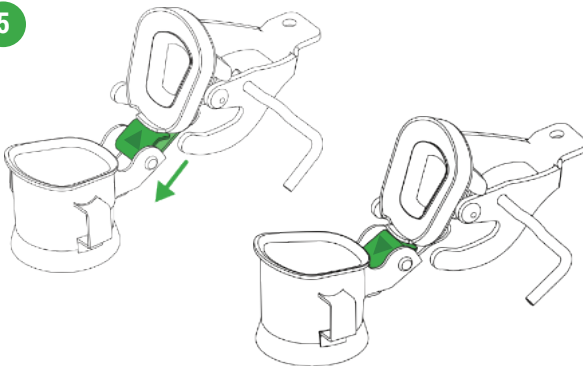
Lift the lever until the arms are fully released from the holder.

4



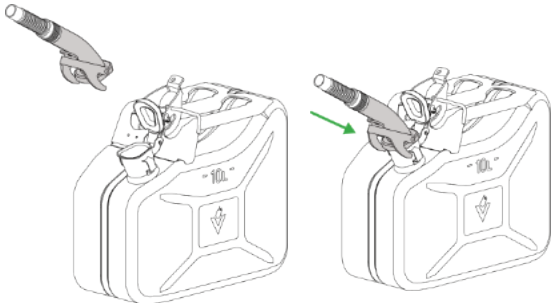
By pulling the lever, lift the lid up to open the neck opening.

5



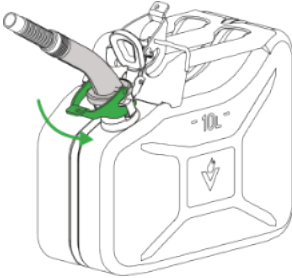
Lock the lid in place by lowering the lid hinge down.

6



Place the fuel spout so it completely covers the neck opening of the fuel can.

7



Move the arms of the lever into the cavities of the holder and push the lever of the spout down as far as it will go.

Warnings and recommendations

Back to content



# Removing the “Universal Spout” from a Classic line fuel can

**1**

**Pull back the lever of the fuel spout to remove the product from the fuel can.**

**2**

**Remove the fuel spout.**

**3**

**Important!**  
**Before closing the fuel can lid, pull the lid with the hinge up by the lever.**

**4**

**Push the lever forward until the lid completely covers the neck opening.**

**If the lever does not move forward - see step No. 3. The lever with the lid should move easily. Closing with too much force will damage the fuel can.**

**5**

**Close the lever by pressing the lever down as far as it will go.**

**6**

**Insert the locking pin through the lever and rotate it 90 degrees.**

**7**

**Caution!**  
**Whenever tilted, make sure that the fuel can is airtight.**

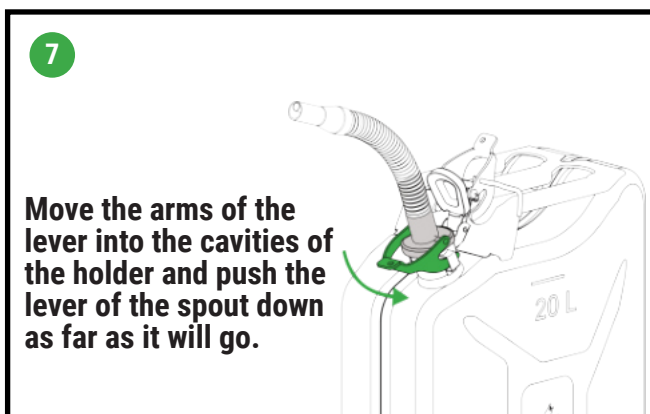
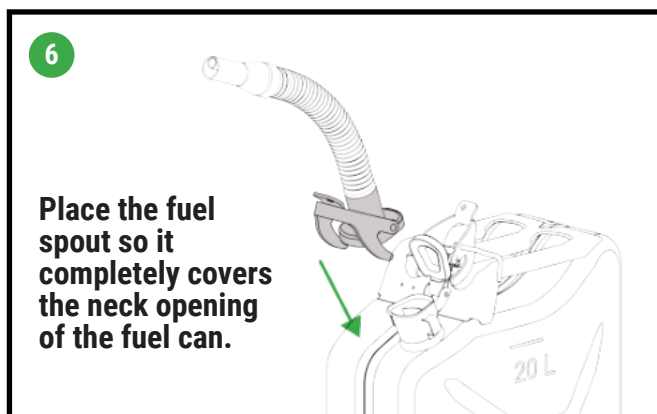
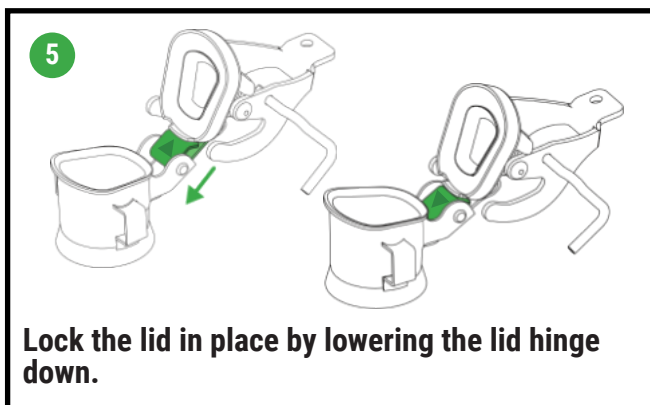
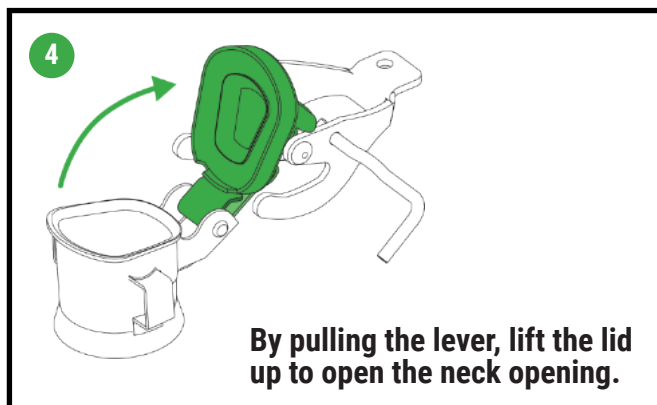
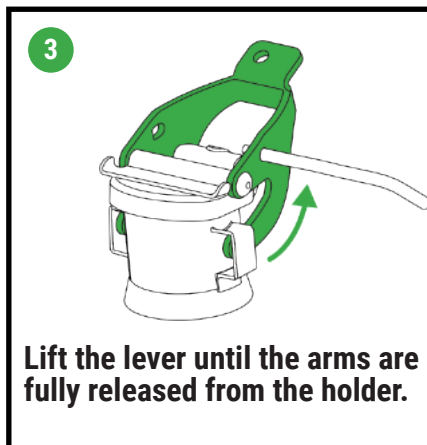
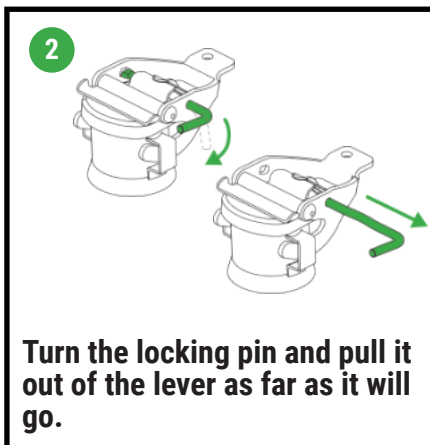
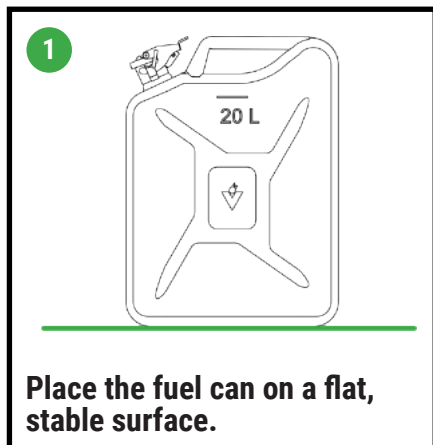
**8**

**If the fuel can is equipped with a fuel spout holder, attach the spout to the holder for easier transportation.**

Warnings and recommendations

Back to content

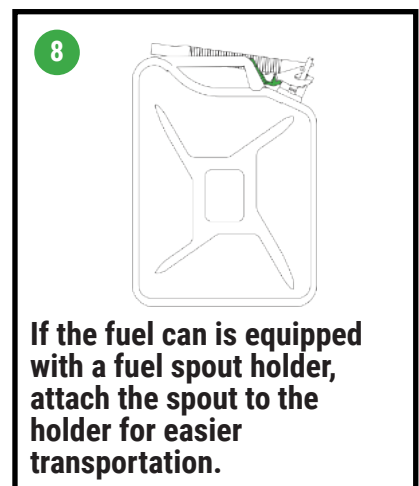
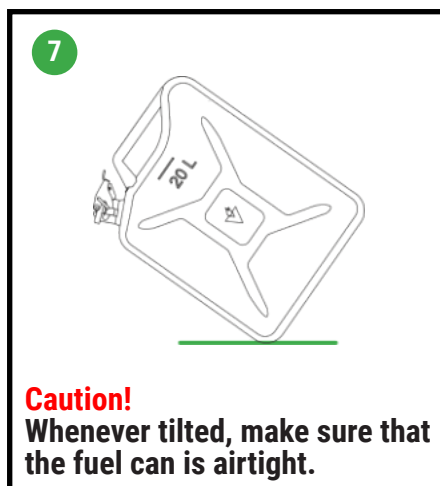
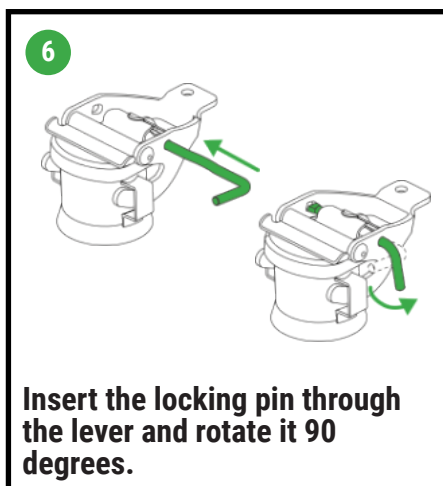
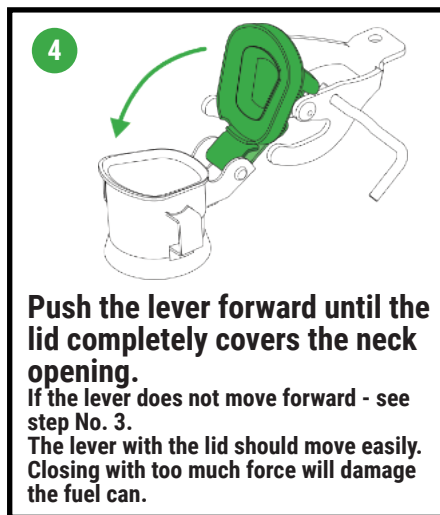
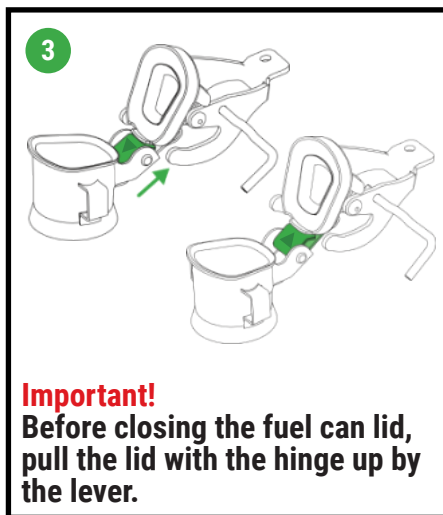
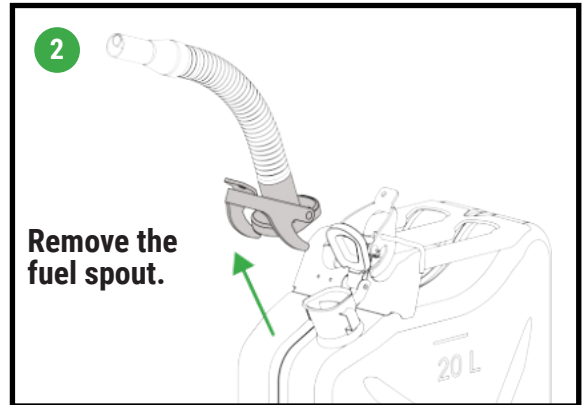
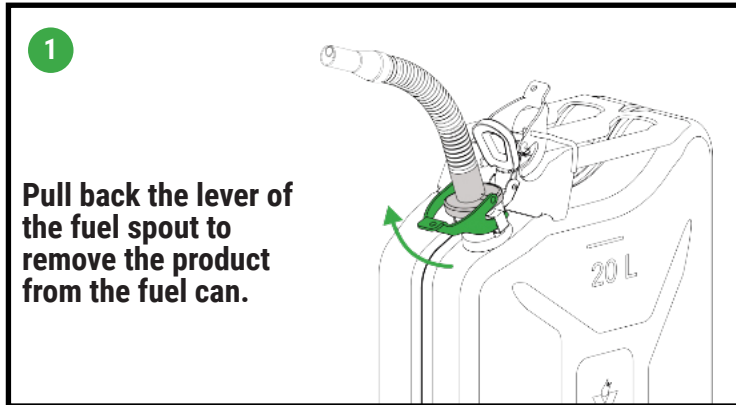
# Connecting the “Flexi Spout” to a Classic line fuel can



Warnings and recommendations

Back to content

# Removing the “Flexi Spout” from a Classic line fuel can

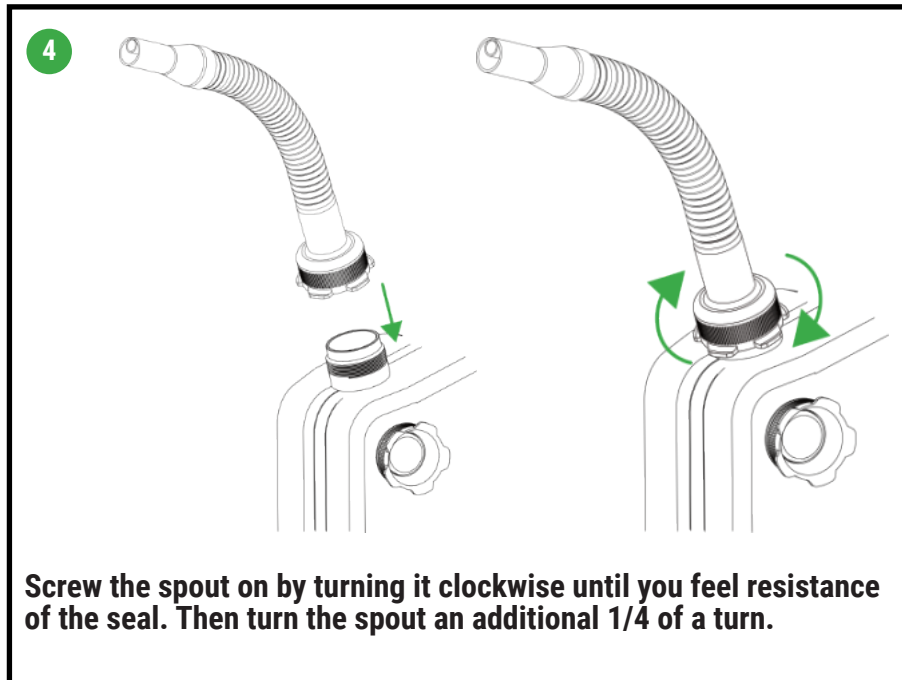
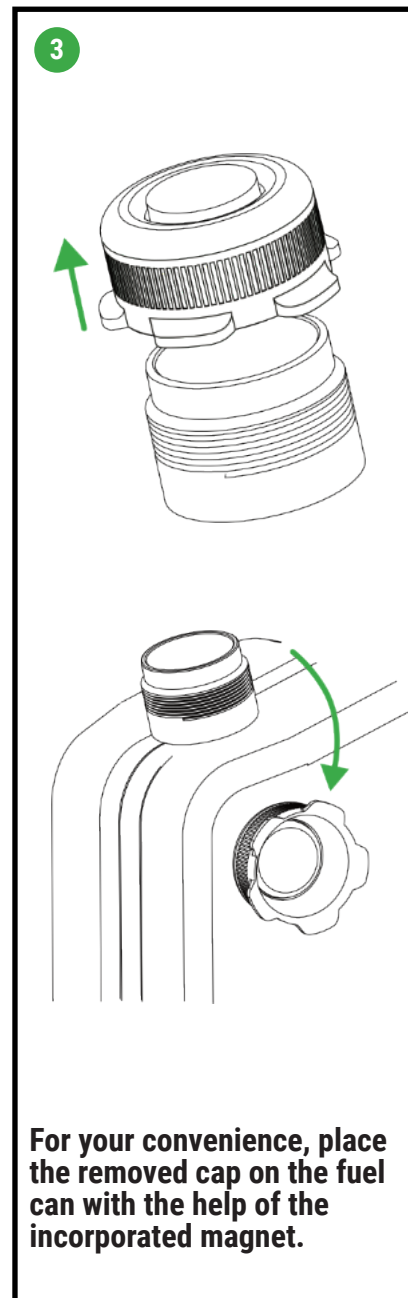
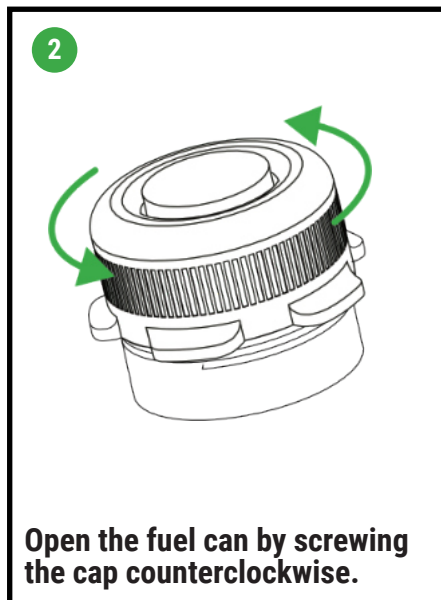
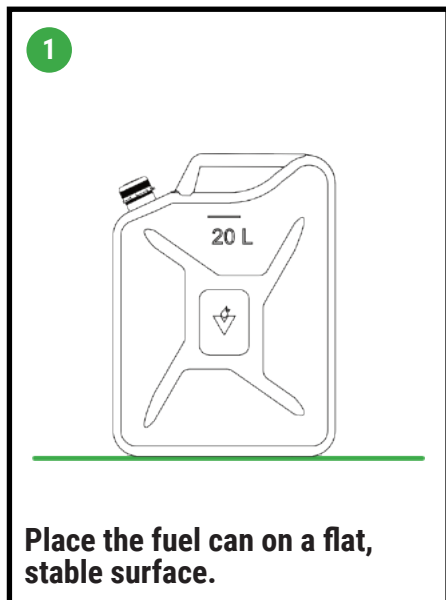


[Warnings and recommendations](#)

[Back to content](#)



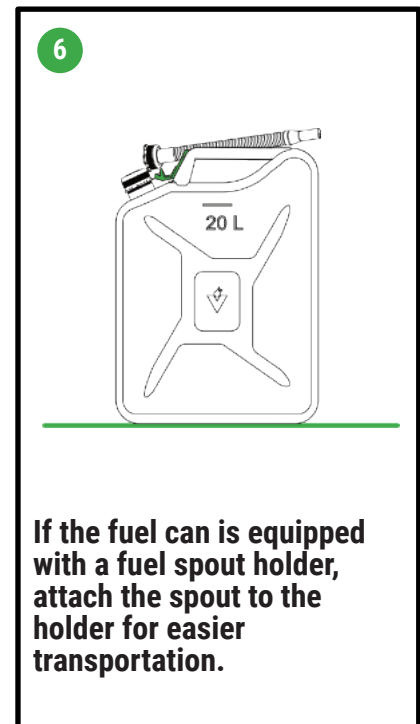
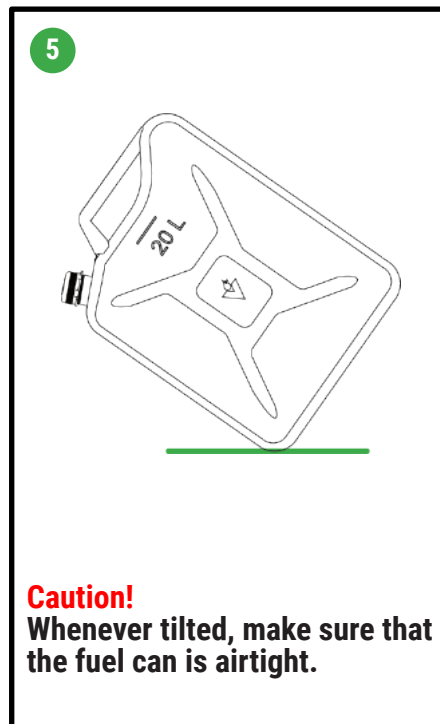
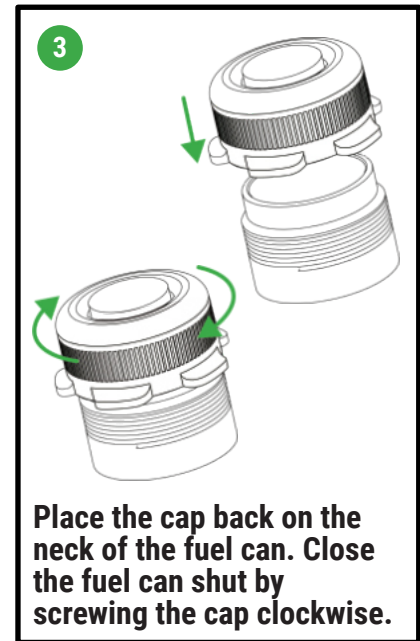
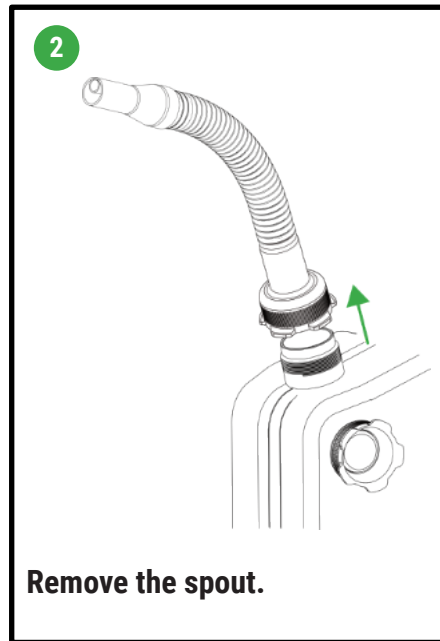
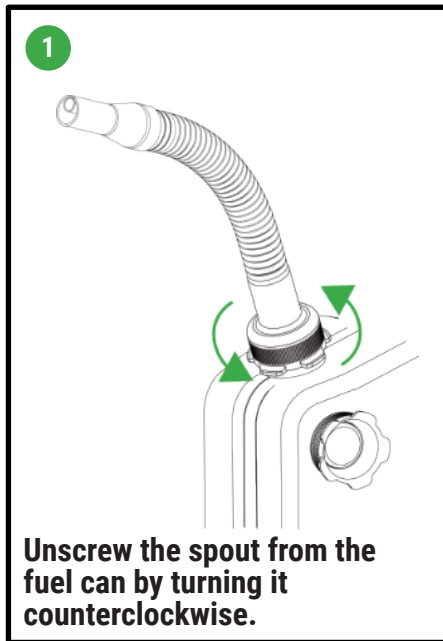
# Connecting the “Flexi Spout” to a Progressive line fuel can with screw cap



[Warnings and recommendations](#)

[Back to content](#)

# Removing the “Flexi Spout” from a Progressive line fuel can with screw cap



Warnings and recommendations

Back to content

# Warnings and recommendations on fuel cans

## CAUTION!

Fuel can be UNDER PRESSURE and there may be a fuel SPILLAGE! At heightened fuel temperatures (above 50 °C) in a closed fuel can, as well as at high altitudes (300+ metres above sea level), pressure in the fuel can may increase. Rapid opening of the fuel can in such conditions could cause a fuel spillage.

Open the fuel can slowly and carefully.

Do not fill the fuel can more than its nominal capacity.

Do not store the fuel can in heat or in direct sunlight. Do not store the fuel can in wet places or in the rain.

Fuel and its vapours are highly flammable – do not smoke or use an open flame when using a fuel can.

Always follow the manufacturer's instructions when filling units, engines, etc. Do not fill hot and/or running units!

Keep the fuel can out of the reach of children and in a well-ventilated area.

## RECOMMENDATIONS

The fuel cans are painted with a special powder paint with high chemical resistance. CAUTION! If the fuel can is stored outdoors, the paint (coating) may lose some of its original appearance (it can fade) within 3-9 months. Even if the coating loses part of its original appearance, its ability to protect the metal will continue if the paint remains intact (if it is not mechanically damaged).

The fuel may contain foreign matter and debris. Always use filter strainers when refuelling. VALPRO "Universal Spout" and "Flexi Spout" fuel spouts have built-in filter strainers that intercept foreign matter and debris. We recommend only using fuel spouts made by SIA VALPRO

[Back to content](#)

# Warnings and recommendations on fuel spouts “Smart Spout”

## CAUTION!

Fuel can be UNDER PRESSURE and there may be a fuel SPILLAGE! At heightened fuel temperatures (above 50 °C) in a closed fuel can, as well as at high altitudes (300+ metres above sea level), pressure in the fuel can may increase. Rapid opening of the fuel can in such conditions could cause a fuel spillage.

Open the fuel can slowly and carefully.

Do not fill the fuel can more than its nominal capacity.

Do not store the fuel can in heat or in direct sunlight. Do not store the fuel can in wet places or in the rain.

Fuel and its vapours are highly flammable – do not smoke or use an open flame when using a fuel can.

Always follow the manufacturer's instructions when filling units, engines, etc. Do not fill hot and/or running units!

Keep the fuel can out of the reach of children and in a well-ventilated area.

## RECOMMENDATIONS

The spout is only compatible with 5 and 10 litre fuel cans manufactured by SIA VALPRO. SIA VALPRO is not responsible for the compatibility of the product with metal fuel cans made by other manufacturers.

The VALPRO “SMART SPOUT” fuel spout cannot be installed on VALPRO 20 L fuel cans, as the weight of a full fuel can is too large for the spout to support it.

Make sure that the seal is not damaged (cracked, torn). Replace it if damaged.

The VALPRO “Smart Spout” fuel spout is equipped with an automatic filling stop function – the filling is stopped when the fuel reaches the fuel spout tip or by lifting the spout from the neck of the tank that is being filled.

Before filling the fuel and removing the fuel spout, press the tip of the spout to even out the fuel vapour pressure in the fuel can.

After using the spout, remove the spout from the fuel can and close the lid of the fuel can. Make sure that the fuel can is hermetically sealed. Remember that after use, the inside of the spout and the seal is coated with fuel.

When transporting the fuel can, the spout has to be removed from the neck of the fuel can, as it does not ensure that the fuel can is airtight.

[Back to content](#)

# Warnings and recommendations on Flexi and Universal fuel spouts

## CAUTION!

Fuel can be UNDER PRESSURE and there may be a fuel SPILLAGE! At heightened fuel temperatures (above 50 °C) in a closed fuel can, as well as at high altitudes (300+ metres above sea level), pressure in the fuel can may increase. Rapid opening of the fuel can in such conditions could cause a fuel spillage.

Open the fuel can slowly and carefully.

Do not fill the fuel can more than its nominal capacity.

Do not store the fuel can in heat or in direct sunlight. Do not store the fuel can in wet places or in the rain.

Fuel and its vapours are highly flammable – do not smoke or use an open flame when using a fuel can.

Always follow the manufacturer's instructions when filling units, engines, etc. Do not fill hot and/or running units!

Keep the fuel can out of the reach of children and in a well-ventilated area.

## RECOMMENDATIONS

The spout is only compatible with 5, 10 and 20 litre fuel cans manufactured by SIA VALPRO. SIA VALPRO is not responsible for the compatibility of the product with metal fuel cans made by other manufacturers.

This spout is specially equipped with an air duct that provides air supply to the fuel can when fuelling. This eliminates the vacuum in the fuel can and ensures the quick and easy discharge of fuel.

Caution!!! When starting or stopping the discharge of fuel, a small amount of fuel may leak from the air supply hole!

Make sure that the seal is not damaged (cracked, torn). Replace it if damaged.

The flow of fuel does not stop automatically when using VALPRO "Flexi Spout" and "Universal Spout". When fuelling, you should monitor the level of fuel and stop the process in good time.

After using the spout, remove the spout from the fuel can and close the lid of the fuel can. Make sure that the fuel can is hermetically sealed. Remember that after use, the inside of the spout and the seal is coated with fuel.

When transporting the fuel can, the spout should be removed from the neck of the fuel can, as it does not ensure that the fuel can is airtight.

[Back to content](#)