

Classic OPzS blocks / 6V 5 OPzS 250 LA

INDUSTRIAL BATTERIES / NETWORK POWER

Classic OPzS batteries have been proven energy suppliers for decades, which convince in robustness, reliability and extremely long design- or cycle life.

Part Number: NVZS060250WC0FB

APPLICATIONS



SPECIFICATIONS

- Very high operational reliability under rough operating conditions
- Low maintenance due to optimised alloy and large electrolyte reserve
- 20 years design life at 20 °C ambient temperature (80 % remaining capacity from C₁₀)
- Container made from high quality translucent plastics
- Also available in dry charged condition with separate electrolyte
- Low gassing acc. to EN 50272-2 thanks to the low antimony alloy (< 3%)
- Designed in accordance with IEC 60896-11, DIN 40736 and DIN 40737 T3
- Electrolyte: diluted sulphuric acid dN = 1.24 kg/l
- Manufactured in Europe in our ISO 9001 certified production plants



Design life
20 years



Block battery



Tubular plate



Recyclable



Low
maintenance

RECYCLE WITH EXIDE.



Exide Technologies takes pride in its commitment to a better environment. An integrated approach to manufacturing, distributing and recycling of lead-acid batteries has been developed to ensure a safe and responsible life cycle for all of its products.



For more information please
[contact your local dealer](#)

TECHNICAL CHARACTERISTICS AND DATA

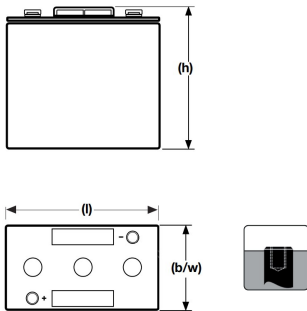
Nominal voltage	6 V
Float charge	2,23 V/C @ 20 °C
Capacity	CC 10h 1,8V/C 20°C 250Ah
Short circuit current	2800 A (IEC60896-21/22)
Internal resistance	2,39 mΩ (IEC60896-21/22)
Electrolyte density	1,24 kg/l

Terminal	F-M8
Terminal Torque	12 Nm
Container	PP (Polypropylene)
Temperature range	-20°C to 55°C
Dimensions (l x b/w x h)	380 x 206 x 347 mm
Weight	56 kg
Acid weight	20 kg
Origin	La Cartuja, Spain

CONSTANT CURRENT DISCHARGE

A @ 20 °C	5 min	10 min	15 min	30 min	1 h	2 h	3 h	4 h	5 h	6 h	8 h	10 h
1,900 V/C	145	132	122	102	70	56	43,5	34	32	29	25,2	21,7
1,870 V/C	180	161	140	118	88,7	63,2	50	42	36,7	33,4	28,1	23,3
1,850 V/C	193	175	155	126	93,4	67	52,5	44,5	38,2	35,1	29,3	23,7
1,830 V/C	207	190	171	135	102	71,4	55	46,5	40,3	36,3	30,2	24,5
1,800 V/C	240	212	190	150	110	74,5	59,2	49	42,8	37,8	31,2	25,5
1,750 V/C	285	250	220	165	120	81	64	51	44	39,1	32,3	26,1
1,700 V/C	340	287	255	183	131	84	65,4	52,3	45	40,1	33	26,5
1,670 V/C	362	307	268	189	133	84,5	65,8	52,6	45,6	40,5	33,3	26,6
1,650 V/C	380	320	278	193	135	85	66	52,8	46	40,8	33,4	26,6

Technical drawing



Float Voltage vs Temperature

