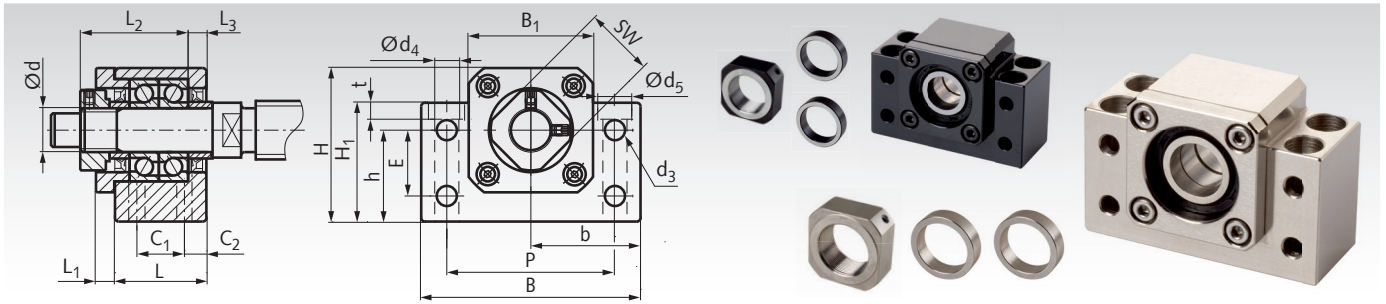


## Pillow Block Bearing Units BK, for Fixed Side



**Material:** Housing from steel, all surfaces machined, black oxide finished or nickel-plated. With quality rolling bearings.

Ready-to-install housing bearing unit for trapezoidal and ballscrew spindle drives, for the fixed side. With two angular contact ball bearings, lightly preloaded, with seals. With 8 mounting holes.

Locknut and distance bushes are included. Due to the standard dimensions, these units can also replace parts of other suppliers.

Spindle reworking (on request) and bearing load data see page 477. Matching counterpart for support side: Pillow Block Bearing BF.

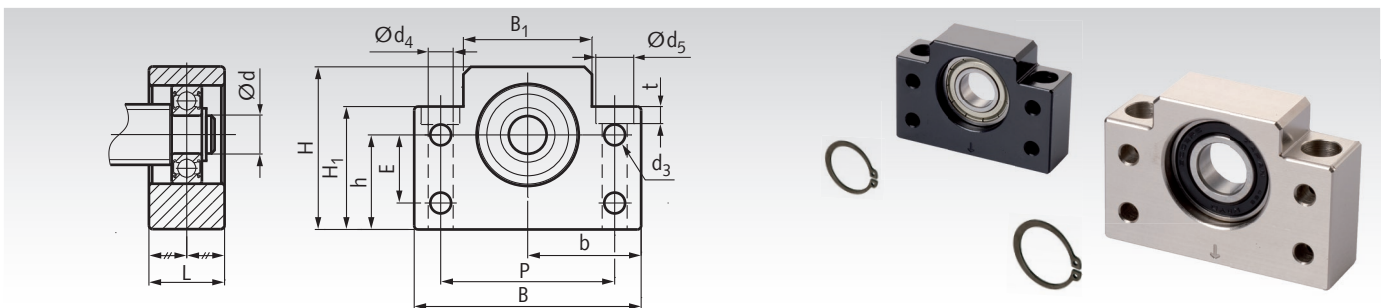
Ordering Details: e.g.: Product No. 64200110, Ball Pillow Block Bearing Unit BK 10, Bore 10mm, black oxidized

Product No. black oxidized	Product No. nickleled	Type	d mm	L mm	L <sub>1</sub> mm	L <sub>2</sub> mm	L <sub>3</sub> mm	B mm	H mm	b* mm	h** mm	B <sub>1</sub> mm	H <sub>1</sub> mm	E mm	P mm	C <sub>1</sub> mm	C <sub>2</sub> mm	d <sub>3</sub> mm	d <sub>4</sub> mm	d <sub>5</sub> mm	t mm	SW mm	Weight kg
642 001 10	642 011 10	BK 10	10	25	5	29,5	5	60	39	30	22	34	32,5	15	46	13	6	5,5	6,3	10,5	6,5	16	0,39
642 001 12	642 011 12	BK 12	12	25	5	29,5	5	60	42	30	25	34	32,5	18	46	13	6	5,5	6,3	10,5	1,5	19	0,41
642 001 15	642 011 15	BK 15	15	27	6	32	6	70	47	35	28	38	38	18	54	15	6	5,5	6,3	10,5	6,5	22	0,57
642 001 17	642 011 17	BK 17	17	35	9	44	7	86	63	43	39	48	55	28	68	19	8	6,6	8,7	14,0	8,6	24	1,27
642 001 20	642 011 20	BK 20	20	35	8	43	8	88	59	44	34	50	50	22	70	19	8	6,6	8,7	14,0	8,5	30	1,19
642 001 25	642 011 25	BK 25	25	42	12	54	9	106	79	53	48	62	70	33	85	22	10	9	10,7	17,5	10,8	35	2,30
642 001 30	642 011 30	BK 30	30	45	14	61	9	128	88	64	51	74	78	33	102	23	11	11	13,7	20	13,0	40	3,32
642 001 35	642 011 35	BK 35	35	50	14	67	12	140	95	70	52	86	79	35	114	26	12	11	13,7	20	13,0	50	4,33
642 001 40	642 011 40	BK 40	40	61	18	76	15	160	109	80	60	98	90	37	130	33	14	14	17,7	26	17,5	50	6,50

\* Tolerance ± 0.02mm.

\*\* Tolerance - 0.02mm.

## Pillow Block Bearing Units BF, for Support Side



**Material:** Housing from steel, all surfaces machined, black oxide finished or nickel-plated. With quality rolling bearing.

Ready-to-install housing bearing unit for trapezoidal and ballscrew spindle drives, for the support side. With one movable single row deep groove ball bearing. With 6 mounting holes.

Retaining ring for fixing on the spindle end is included.

Due to the standard dimensions, these units can also replace parts of other suppliers.

Spindle reworking (on request) and bearing load data see page 477. Matching counterpart for fixed side: Pillow Block Bearing BK.

Ordering Details: e.g.: Product No. 64200210, Ball Pillow Block Bearing Unit BF 10, Bore 8mm, black oxidized

Product No. black oxidized	Product No. nickleled	Type	d mm	L mm	B mm	H mm	b±0,02 mm	h-0,02 mm	B <sub>1</sub> mm	H <sub>1</sub> mm	E mm	P mm	d <sub>3</sub> mm	d <sub>4</sub> mm	d <sub>5</sub> mm	t mm	Weight kg
642 002 10	642 012 10	BF 10	8	20	60	39	30	22	34	32,5	15	46	5,5	6,3	10,8	5,0	0,29
642 002 12	642 012 12	BF 12	10	20	60	43	30	25	34	32,5	18	46	5,5	6,3	10,8	1,5	0,30
642 002 15	642 012 15	BF 15	15	20	70	48	35	28	40	38	18	54	5,5	6,3	11	6,5	0,38
642 002 17	642 012 17	BF 17	17	23	86	64	43	39	50	55	28	68	6,6	8,7	14	8,6	0,74
642 002 20	642 012 20	BF 20	20	26	88	60	44	34	52	50	22	70	6,6	8,7	14	8,6	0,76
642 002 25	642 012 25	BF 25	25	30	106	80	53	48	64	70	33	85	9	10,7	17,5	11	1,42
642 002 30	642 012 30	BF 30	30	32	128	89	64	51	76	78	33	102	11	13,7	20	13	1,97
642 002 35	642 012 35	BF 35	35	32	140	96	70	52	88	79	35	114	11	13,7	20	13	2,22
642 002 40	642 012 40	BF 40	40	37	160	110	80	60	100	90	37	130	14	17,7	26	17,5	3,27

**Spindle reworking and bearing load data page 477.**