

Full Metal Hoods

DTSL-LJS-RG-S+D-Sub Solder Cup

TECHNICAL SPECIFICATIONS

**D-Sub Hood:**

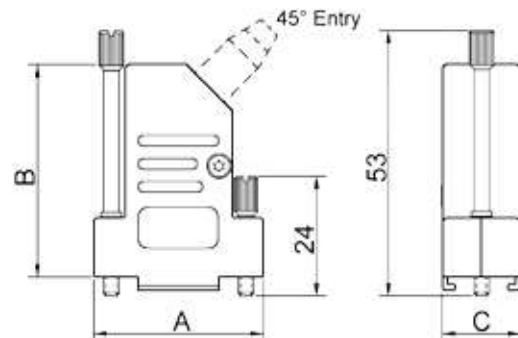
Material: Zinc, Nickel Plated  
 Operating Temperature: -40°C to +120°C  
 Cable Entry: Side Entry  
 Rubber Grommet RGS  
 Strain relief: Clamp + Insert  
 Thumbscrews: **Long Jackscrews**  
 UNC 4-40 (Standard)  
 Cable O.D: Up to 11.5mm

**Standard D-Sub Solder Cup:**

Insulator: Glass filled TP, UL94 V-0  
 Shell: Steel, Tin Plated  
 Contact pins: Copper Alloy  
 Gold Flash over Ni.  
 Stamped & Formed Pins: Class 3, 100 inserts min.  
 Contact Plating: Gold flash over Nickel  
 Operating Temperature: -55°C to +85°C  
 Withstanding voltage: >1000V Rms to 50 Hz  
 for 1 minute  
 Current Rating: 5A  
 Insulator resistance: >5000MΩ min.

**Features:**

- Available in Sizes 9-15-25-37
- Long Jackscrews
- 360° EMI Shielding
- Quick assembly
- Pre-mounted locking screws



Size DTSL	Dim A	Dim B	Dim C
9-way	32,2	42,0	15,0
15-way	40,8	42,3	15,0
25-way	54,0	42,3	15,0
37-way	70,5	48,0	15,0

Ordering information:

Standard D-Sub Connector Kits

Size:	P/N - Kitted:	Description:
9-way	L17DTSL09-LJS-RG-S+L717SDE09P	Solder Cup, 9-Male
15-way	L17DTSL15-LJS-RG-S+L717SDA15P	Solder Cup, 15-Male
25-way	L17DTSL25-LJS-RG-S+L717SDB25P	Solder Cup, 25-Male
37-way	L17DTSL37-LJS-RG-S+L717SDC37P	Solder Cup, 37-Male

Size:	P/N - Kitted:	Description:
9-way	L17DTSL09-LJS-RG-S+L77SDE09S	Solder Cup, 9-Female
15-way	L17DTSL15-LJS-RG-S+L77SDA15S	Solder Cup, 15-Female
25-way	L17DTSL25-LJS-RG-S+L77SDB25S	Solder Cup, 25-Female
37-way	L17DTSL37-LJS-RG-S+L77SDC37S	Solder Cup, 37-Female