


PCB TERMINAL BLOCKS

10.16mm Pitch Very High Power Rising Clamp Terminal Blocks

- 2 & 3 pole double interlocking mechanism for increased strength
- 4 to 12 pole solid block
- Captive screws
- Moulded in grey UL94-V0 flame retardant PA66
- Professional rising clamp terminals
- 0.5-16mm² (20-6AWG) solid cable
- 0.5-10mm² (20-6AWG) stranded cable
-  Approved

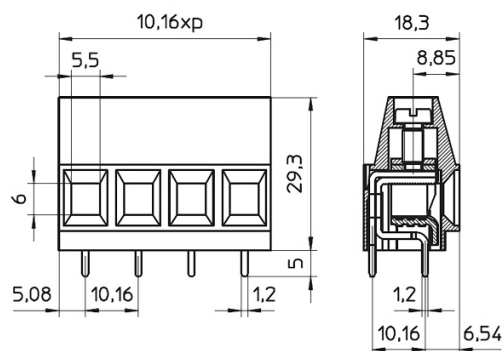
CTB77VP



TYPE NO.	POLES	LENGTH
CTB77VP/2	2	20.3mm
CTB77VP/3	3	30.5mm
CTB77VP/4	4	40.6mm
CTB77VP/5	5	51mm
CTB77VP/6	6	61mm
CTB77VP/7	7	71.1mm
CTB77VP/8	8	81.3mm
CTB77VP/9	9	91.4mm
CTB77VP/10	10	101.6mm
CTB77VP/11	11	111.8mm
CTB77VP/12	12	121.9mm

SPECIFICATION

Rating	57A/630V UL=58A/300V, VDE&IMQ=57A/750V
Dielectric strength	≥3kV
Impulse withstand voltage	8kV
Working temperature	110°C
Moulding	UL94-V0 flame retardant PA66
Pin/terminal	Tinned, nickel plated brass
Rising clamp	Zinc plated steel
Screw/torque	M4 steel zinc plated, 1.8Nm
Recommended PCB hole size	ø1.6mm



PCB
TERMINAL
BLOCKS

INTER-
CONNECTION

FUSES &
FUSE-
HOLDERS

LEDs &
INDICATORS

MINIATURE
SWITCHES

LIMIT &
SAFETY
SWITCHES

CONTROL
PRODUCTS

INTERFACE
MODULES &
SUPPORTS

RELAY
BASES

DIN RAIL
ENCLOSURES

BATTERIES

SOLAR
PANELS

TRANS-
FORMERS