



Halogen-Free Betaduct is manufactured in the UK from Noryl NH5110E and is available in open slot and narrow slot options. Made from material which during burning, forms a protective charred "intumescent" surface layer and, being free from Halogen, this Betaduct does not emit harmful products such as Hydrochloric acid and Chloride gas, which is associated with PVC.

Grey Halogen-Free Betaduct is ideal for use in applications where danger to members of the public is a concern such as public buildings, shopping centres, hospitals, airport terminals, stadiums, as well as a variety of hostile environments.

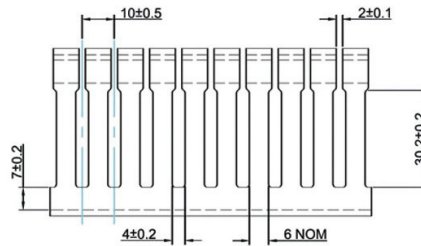
Blue Halogen-Free Betaduct is suitable for I.S circuits and ideal for use in hostile environments, where danger to health is a concern, such petrochemical plants and offshore oil platforms.



### KEY SPECIFICATIONS

- Made from Halogen-Free Noryl NH5110E
- Service Temperature Rating of -25°C to +90°C
- Oxygen Index of 35.7%. BS EN ISO 4589-2: 1999
- Smoke Test BS 6853: 1999 Annex D.8.3
- Flammability Rating UL94 V-1 Rated Material
- cULus and UL Approved





Blue Halogen-Free Narrow Slot Betaduct is manufactured in the UK from Noryl NH5110E. It provides a lightweight self-extinguishing cable trunking with excellent rigidity and performance characteristics. Ideal for use with slimmer terminal blocks where more access is required, it improves appearance of panels with cables out in best position. For use when bundles, cables and wires need supporting in control panels, distribution boards and switchgear. Suitable for I.S circuits. Ideal for use in applications where danger to members of the public is a concern, such as petrochemical plants and offshore oil platforms.

Available in 10 sizes. Recommended fixing method: Betaduct rivets or washers. Supplied with lid.

### PART NUMBERS:

PART NO. BLUE	NOMINAL SIZE INNER (WxH) mm	NOMINAL SIZE OUTER (WxH) mm	PACK QTY (m)
20476033	37.5 x 50	41 x 54	8
20476034	37.5 x 75	41 x 79	8
20476053	50 x 50	54 x 54	8
20476054	50 x 75	55 x 79	8
20476073	75 x 50	78 x 54	8
20476074	75 x 75	80 x 80	8
20476103	100 x 50	107 x 54	4
20476104	100 x 75	107 x 80	4
20476105	100 x 100	107 x 104	4
20476124	125 x 75	131 x 78	4

### SPECIFICATIONS:

- MATERIAL:** Halogen-Free Noryl NH5110E
- SLOT PITCH:** 10mm • **SLOT WIDTH:** 4mm • **WEBS:** 6mm
- COLOUR:** Blue RAL 5015
- SERVICE TEMPERATURE RATING:** -25°C to +90°C
- OXYGEN INDEX:** 35.7 & BS EN ISO 4589-2: 1999
- SMOKE TEST:** BS 6853: 1999 Annex D.8.3 (small scale smoke emission test).
- FLAMMABILITY:** UL94 V-1 Rated Material
- STANDARDS:** cULus and UL Approved.

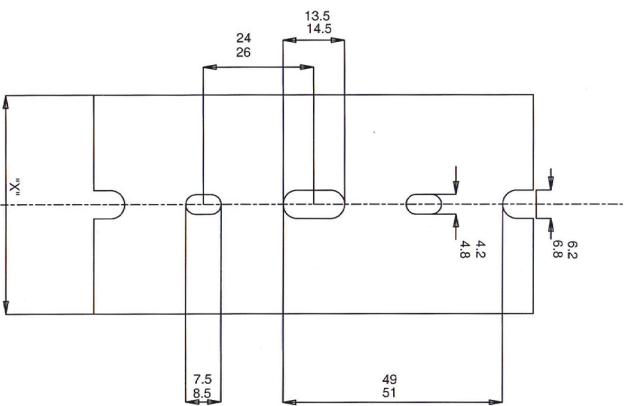


**CABLECRAFT**  
creative wiring solutions

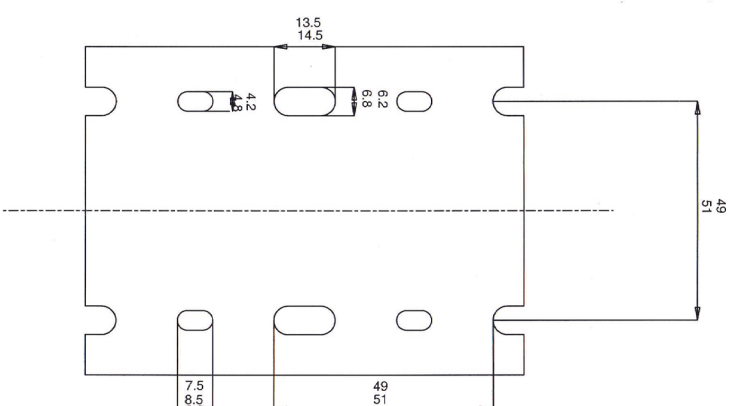


Cablecraft House, Circle Business Centre, Blackburn Road, Houghton-Regis, Bedfordshire, LU5 5DD.  
Phone: 01582 606033 • Fax: 01582 606063 • Email: sales@cablecraft.co.uk • Web: www.cablecraft.co.uk

VAT NO. GB 639 920 900 • CO. REG. NO. 2478297



BETADUCT PVC UP TO 50MM WIDE  
SINGLE BACK SLOT



BETADUCT NORYL & HF ABOVE 75MM - DOUBLE BACK SLOT  
BELOW 75MM - SINGLE BACK SLOT



# TECHNICAL DATA SHEET: BETADUCT CAPACITY CHART

FILE NO. 12.19  
ISSUE NO. 02

TRUNKING SIZE WIDTHxHEIGHT (mm)	CROSS SECTIONAL AREA (mm <sup>2</sup> )	AT 55% PACKING DENSITY (mm <sup>2</sup> )	0.50	0.75	1.00	CABLE CROSS SECTIONAL AREA (mm <sup>2</sup> ) TRI-RATED CABLE BS6231										50.00	70.00	95.00
						1.50	2.50	3.8	4.4	6.00	10.00	16.00	25.00	35.00	13.97			
			2.7	2.9	3.1	3.4	3.8	4.4	5.1	6.8	8.64	10.16	11.46	13.97	16.46	18.54		
			MAXIMUM NUMBER OF CABLES															
15 x 15	225	123.75	21	18	16	13	10	8	6	3	2	1	-	-	-	-		
19 x 50	950	522.5	91	79	69	57	46	34	25	14	8	6	5	3	2	1		
25 x 20	500	275	48	41	36	30	24	18	13	7	4	3	2	1	1	1		
25 x 37.5	937.5	515.6	90	78	68	56	45	33	25	14	8	6	4	3	2	1		
25 x 50	1250	687.5	120	104	91	75	60	45	33	18	11	8	6	4	3	2		
25 x 75	1875	1031.25	180	156	136	113	90	67	50	28	17	12	9	6	4	3		
25 x 100	2500	1375	240	208	182	151	121	90	67	37	23	16	13	8	6	5		
37.5 x 37.5	1406	773.3	135	117	102	85	68	50	37	21	13	9	7	5	3	2		
37.5 x 50	1875	1031.25	180	156	136	113	90	67	50	28	17	12	9	6	4	3		
37.5 x 75	2813	1547.15	270	234	204	170	136	101	75	42	26	19	14	10	7	5		
37.5 x 100	3750	2062.5	360	312	273	227	181	135	100	56	35	25	19	13	9	7		
50 x 25	1250	687.5	120	104	91	75	60	45	33	18	11	8	6	4	3	2		
50 x 37.5	1875	1031.25	180	156	136	113	90	67	50	28	17	12	9	6	4	3		
50 x 50	2500	1375	240	208	182	151	121	90	67	37	23	16	13	8	6	5		
50 x 75	3750	2062.5	360	312	273	227	181	135	100	56	35	25	19	13	9	7		
50 x 100	5000	2750	480	416	364	303	242	180	134	75	46	33	26	17	12	10		
75 x 37.5	2813	1547.15	270	234	204	170	136	101	75	42	26	19	14	10	7	5		
75 x 50	3750	2062.5	360	312	273	273	181	135	100	56	35	25	19	13	9	7		
75 x 75	5625	3093.75	540	468	409	410	272	203	151	85	52	38	29	20	14	11		
75 x 100	7500	4125	720	624	546	547	363	271	201	113	70	50	39	26	19	15		
100 x 50	5000	2750	480	416	364	364	242	180	134	75	46	33	26	17	12	10		
100 x 75	7500	4125	720	624	546	454	363	271	201	113	70	50	39	26	19	15		
100 x 100	10000	5500	960	832	728	605	484	361	269	151	93	67	53	35	25	20		
100 x 125	12500	6875	1200	1040	910	757	606	452	336	189	117	84	66	44	32	25		
125 x 75	9375	5156.25	900	780	683	567	454	339	252	141	87	63	49	33	24	19		