

Overview

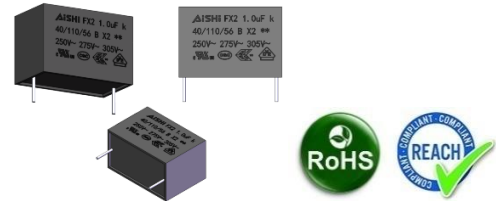
The FX2 series is constructed of metallized polypropylene film encapsulated with self-extinguishing resin in a box of material meeting the requirement of UL94V-0.

Applications

Interference suppression, across-the-line capacitor, EMI filter and spark-killer in class X2 applications. Suitable for use in situations where failure of the capacitor would not lead to danger of electric shock.

Features

- High stability of capacitance
- High temperature (110°C)
- Self-healing property
- Over voltage stress withstanding
- Flame-retardant plastic case and resin



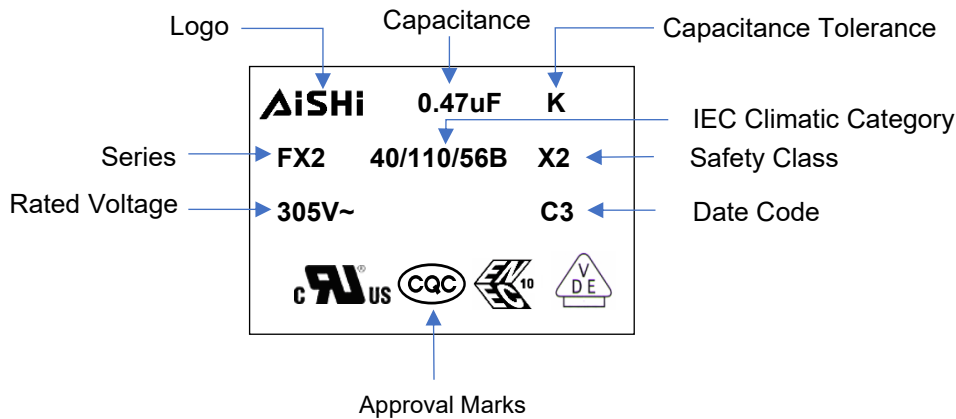
Applicable Standard

Approval	Standard	File Number
	UL 60384-14 CAN/CSA-E60384-14	E500538 (305Vac~760Vac)
	IEC 60384-14:2013 IEC 60384-14:2013/AMD1:2016	40051583 (305Vac) 40052137 (350Vac~760Vac)
	IEC 60384-14 GB/T6346.14-2015	CQC20001245437 (305Vac) CQC20001281016 (350Vac~480Vac) CQC20001281018 (530Vac~760Vac)

General Technical Data

Dielectric	Metallized Polypropylene Film
Voltage Range	305Vac / 350Vac
Capacitance Range	0.01μF to 20.0μF
Capacitance Tolerance	±10% or ±20% at +25°C
Operating Temperature Range	-40°C ~ +110°C (85°C ~110°C, decreasing factor 1.35% per °C for Urms)
Climatic Category	40/110/56 IEC60068-1
Dissipation Factor	0.0010 (20°C, 1KHz)
Insulation Resistance	R between leads, for C ≤ 0.33 μF at 100 V; 1 min > 15 000 MΩ RC between leads, for C > 0.33 μF at 100 V; 1 min > 5000 MΩ*μF

Marking



Manufacturing Date Code

Year	Code	Month	Code
2018	A	Jan	1
2019	B	Feb	2
2020	C	Mar	3
2021	D	Apr	4
2022	E	May	5
2023	F	Jun	6

Year	Code	Month	Code
2024	G	Jul	7
2025	H	Aug	8
2026	J	Sep	9
2027	K	Oct	A
2028	L	Nov	N
2029	M	Dec	D

Part Number System

F	X2	30	K	474	E43	2EL	5
Capacitor Type	Series	Voltage (VAC)	Tolerance	Capacitance (pF)	Size Code	Terminal Code	Lead Length Code
F = Film	Class X2, Metallized PP Film	30=305Vac 35=350Vac	K = ±10% M = ±20%	First two digits = significant figures. Third digit = Number of zeros.	Refer to Size Code Table	Refer to Terminal Code Table	Refer to Lead Length Table

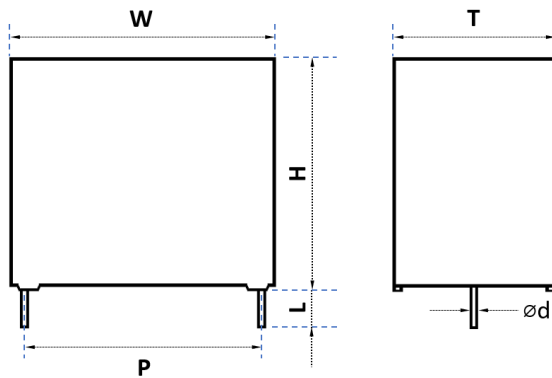
Terminal Code

Digit One (Lead/Terminal Type)	Digit Two (Lead Space)	Digit Three (Lead Ipsilateral)
2 leads for long	L	10.0mm C
2 leads for straight cut	2	15.0mm E
2 leads for forming cut	E	22.5mm F
4 leads for straight cut	4	27.5mm G
Taping	T	37.5mm K
Taping Straight	V	52.5mm M
		N/A N

Lead Length Code

Lead Length	Code
3.0mm	3
4.0mm	4
5.0mm	5
7.0mm	7
Taping	T
N/A	N

Dimension (mm)



2 pins

Size Code Table (mm)

Size Code	Dimension						Pitch		Lead Wire	
	W	Tolerance	H	Tolerance	T	Tolerance	P	Tolerance	Ød	Tolerance
C13	13	0.5	11	0.5	5	0.5	10	0.5	0.6	0.05
C16	13	0.5	12	0.5	6	0.5	10	0.5	0.6	0.05
C26	13	0.5	14	0.5	8	0.5	10	0.5	0.6	0.05
C27	13	0.5	16	0.5	8	0.5	10	0.5	0.6	0.05
C30	13	0.5	16	0.5	9	0.5	10	0.5	0.6	0.05
E14	18	0.5	11	0.5	5	0.5	15	0.5	0.6	0.05
E17	18	0.5	12	0.5	6	0.5	15	0.5	0.6	0.05
E18	18	0.5	13.5	0.5	6	0.5	15	0.5	0.8	0.05
E29	18	0.5	13.5	0.5	7.5	0.5	15	0.5	0.8	0.05
E34	18	0.5	14.5	0.5	8.5	0.5	15	0.5	0.8	0.05
E43	18	0.5	16	0.5	10	0.5	15	0.5	0.8	0.05
E47	18	0.5	19	0.5	11	0.5	15	0.5	0.8	0.05
F17	26	0.5	16.5	0.5	7	0.5	22.5	0.5	0.8	0.05
F20	26	0.5	17	0.5	8.5	0.5	22.5	0.5	0.8	0.05
F24	26	0.5	19	0.5	10	0.5	22.5	0.5	0.8	0.05
F26	26	0.5	20	0.5	11	0.5	22.5	0.5	0.8	0.05
F27	26	0.5	22	0.5	12	0.5	22.5	0.5	0.8	0.05
F29	26	0.5	23	0.5	13	0.5	22.5	0.5	0.8	0.05
F34	26	0.5	29.5	0.5	14.5	0.5	22.5	0.5	0.8	0.05
F36	26	0.5	25	0.5	15	0.5	22.5	0.5	0.8	0.05
G15	32	0.8	18	0.8	9	0.8	27.5	0.5	0.8	0.05
G18	32	0.8	20	0.8	11	0.8	27.5	0.5	0.8	0.05
G22	32	0.8	24.5	0.8	13	0.8	27.5	0.5	0.8	0.05
G25	32	0.8	24	0.8	14	0.8	27.5	0.5	0.8	0.05
G26	32	0.8	28	0.8	14	0.8	27.5	0.5	0.8	0.05
G33	32	0.8	28	0.8	18	0.8	27.5	0.5	0.8	0.05
G34	32	0.8	33	0.8	18	0.8	27.5	0.5	0.8	0.05
G40	32	0.8	37	0.8	22	0.8	27.5	0.5	0.8	0.05
K21	42	1.0	32	1.0	19	1.0	37.5	0.5	1.0	0.05
K27	42	1.0	37	1.0	22	1.0	37.5	0.5	1.0	0.05
K32	42	1.0	44	1.0	24	1.0	37.5	0.5	1.0	0.05
K42	42	1.0	45	1.0	30	1.0	37.5	0.5	1.0	0.05
M16	57.5	1.0	45	1.0	30	1.0	52.5	0.5	1.2	0.05

Rating and Part Number

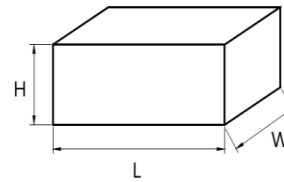
Vac	Vdc	Cap Value μF	Dimensions				Peak Current A	Surge Current A	dv/dt V/us	Lead Wire mm	Part Number
			W	H	T	P					
			mm	mm	mm	mm					
305	630	0.01	13	11	5	10	5	15	500	0.6	FX230K103C132CL5
305	630	0.022	13	11	5	10	11	33	500	0.6	FX230K223C132CL5
305	630	0.033	13	11	5	10	16.5	49.5	500	0.6	FX230K333C132CL5
305	630	0.047	13	11	5	10	23.5	70.5	500	0.6	FX230K473C132CL5
305	630	0.068	13	11	5	10	34	102	500	0.6	FX230K683C132CL5
305	630	0.082	13	12	6	10	41	123	500	0.6	FX230K823C162CL5
305	630	0.1	13	12	6	10	50	150	500	0.6	FX230K104C162CL5
305	630	0.15	13	14	8	10	75	225	500	0.6	FX230K154C262CL5
305	630	0.22	13	14	8	10	110	330	500	0.6	FX230K224C262CL5
305	630	0.27	13	16	8	10	135	405	500	0.6	FX230K274C272CL5
305	630	0.33	13	16	9	10	165	495	500	0.6	FX230K334C302CL5
305	630	0.047	18	11	5	15	18.8	56.4	400	0.6	FX230K473E142EL5
305	630	0.068	18	11	5	15	27.2	81.6	400	0.6	FX230K683E142EL5
305	630	0.082	18	11	5	15	32.8	98.4	400	0.6	FX230K823E142EL5
305	630	0.1	18	11	5	15	40	120	400	0.6	FX230K104E142EL5
305	630	0.15	18	12	6	15	60	180	400	0.6	FX230K154E172EL5
305	630	0.22	18	13.5	7.5	15	88	264	400	0.8	FX230K224E292EL5
305	630	0.27	18	14.5	8.5	15	108	324	400	0.8	FX230K274E342EL5
305	630	0.33	18	14.5	8.5	15	132	396	400	0.8	FX230K334E342EL5
305	630	0.47	18	16	10	15	188	564	400	0.8	FX230K474E432EL5
305	630	0.56	18	19	11	15	224	672	400	0.8	FX230K564E472EL5
305	630	0.68	18	19	11	15	272	816	400	0.8	FX230K684E472EL5
305	630	0.33	26	16.5	7	22.5	66	198	200	0.8	FX230K334F172FL5
305	630	0.47	26	16.5	7	22.5	94	282	200	0.8	FX230K474F172FL5
305	630	0.56	26	19	10	22.5	112	336	200	0.8	FX230K564F242FL5
305	630	0.68	26	19	10	22.5	136	408	200	0.8	FX230K684F242FL5
305	630	1	26	20	11	22.5	200	600	200	0.8	FX230K105F262FL5
305	630	1.2	26	22	12	22.5	240	720	200	0.8	FX230K125F272FL5
305	630	1.5	26	23	13	22.5	300	900	200	0.8	FX230K155F292FL5
305	630	1.8	26	29.5	14.5	22.5	360	1080	200	0.8	FX230K185F342FL5
305	630	2	26	29.5	14.5	22.5	400	1200	200	0.8	FX230K205F342FL5
305	630	2.2	26	29.5	14.5	22.5	440	1320	200	0.8	FX230M225F342FL5
305	630	0.68	32	18	9	27.5	102	306	150	0.8	FX230K684G152GL5
305	630	0.82	32	18	9	27.5	123	369	150	0.8	FX230K824G152GL5
305	630	1	32	20	11	27.5	150	450	150	0.8	FX230K105G182GL5
305	630	1.2	32	20	11	27.5	180	540	150	0.8	FX230M125G182GL5
305	630	1.5	32	24.5	13	27.5	225	675	150	0.8	FX230K155G222GL5
305	630	1.8	32	24.5	13	27.5	270	810	150	0.8	FX230K185G222GL5
305	630	2.2	32	24	14	27.5	330	990	150	0.8	FX230K225G252GL5
305	630	2.7	32	28	18	27.5	405	1215	150	0.8	FX230K275G332GL5
305	630	3.3	32	28	18	27.5	495	1485	150	0.8	FX230M335G332GL5
305	630	3.3	32	33	18	27.5	495	1485	150	0.8	FX230K335G342GL5
305	630	3.9	32	33	18	27.5	585	1755	150	0.8	FX230K395G342GL5
305	630	4.7	32	33	18	27.5	705	2115	150	0.8	FX230M475G342GL5
305	630	4.7	32	37	22	27.5	705	2115	150	0.8	FX230K475G402GL5
305	630	5.6	32	37	22	27.5	840	2520	150	0.8	FX230M565G402GL5
305	630	4.7	42	32	19	37.5	470	1410	100	1.0	FX230K475K212KL5
305	630	6.8	42	37	22	37.5	680	2040	100	1.0	FX230K685K272KL5
305	630	10	42	45	30	37.5	1000	3000	100	1.0	FX230K106K422KL5
305	630	12	42	45	30	37.5	1200	3600	100	1.0	FX230K126K422KL5
305	630	15	42	45	30	37.5	1500	4500	100	1.0	FX230K156K422KL5
305	630	18	57.5	45	30	52.5	1440	4500	80	1.2	FX230K186M162ML5
305	630	20	57.5	45	30	52.5	1600	4800	80	1.2	FX230K206M162ML5

Rating and Part Number

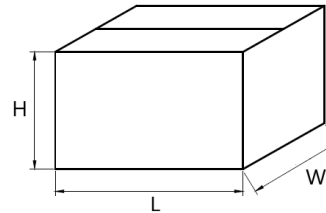
Vac	Vdc	Cap Value μF	Dimensions				Peak Current A	Surge Current A	dv/dt V/us	Lead Wire mm	Part Number
			w mm	H mm	T mm	P mm					
350	700	0.1	18	13.5	6	15	50	150	500	0.6	FX235K104E182EL5
350	700	0.15	18	13.5	7.5	15	75	225	500	0.8	FX235K154E292EL5
350	700	0.22	18	14.5	8.5	15	110	330	500	0.8	FX235K224E342EL5
350	700	0.33	18	16	10	15	165	495	500	0.8	FX235K334E432EL5
350	700	0.47	18	19	11	15	235	705	500	0.8	FX235M474E472EL5
350	700	0.47	26	17	8.5	22.5	188	564	400	0.8	FX235K474F202FL5
350	700	0.56	26	19	10	22.5	224	672	400	0.8	FX235K564F242FL5
350	700	0.68	26	20	11	22.5	272	816	400	0.8	FX235K684F262FL5
350	700	0.82	26	22	12	22.5	328	984	400	0.8	FX235K824F272FL5
350	700	1	26	23	13	22.5	400	1200	400	0.8	FX235K105F292FL5
350	700	1.2	26	25	15	22.5	480	1440	400	0.8	FX235K125F362FL5
350	700	1.5	26	29.5	14.5	22.5	600	1800	400	0.8	FX235K155F342FL5
350	700	1.8	32	28	14	22.5	360	1080	200	0.8	FX235K185G262GL5
350	700	2.0	32	28	14	27.5	400	1200	200	0.8	FX235M205G262GL5
350	700	2.2	32	28	18	27.5	440	1320	200	0.8	FX235K225G332GL5
350	700	2.7	32	28	18	27.5	540	1620	200	0.8	FX235M275G332GL5
350	700	3.0	32	33	18	27.5	600	1800	200	0.8	FX235K305G342GL5
350	700	3.3	32	33	18	27.5	660	1980	200	0.8	FX235M335G342GL5
350	700	3.9	32	37	22	27.5	780	2340	200	0.8	FX235K395G402GL5
350	700	4.7	32	37	22	27.5	940	2820	200	0.8	FX235M475G402GL5
350	700	4.7	42	32	19	37.5	470	1410	100	1.0	FX235K475K212KL5
350	700	5.6	42	37	22	37.5	560	1680	100	1.0	FX235K565K272KL5

Packaging Information

Inner Box Specifications (Dimensions)			
Box #	L ±3mm	W±3mm	H ±3mm
# 1	331	331	35
# 2	331	331	60
# 3	331	331	80
# 4	350	170	35
# 5	350	170	60
# 6	350	170	80



Outer Box Specifications (Dimensions)			
Box #	L ±5mm	W±5mm	H ±5mm
# 1	350	340	265
# 2	370	360	350



Packaging Quantity

Pitch	Size Code	Dimension			Packaging Quantity		
		W	H	T	Long Leads	Short Leads	Ammo Pack
10	C13	13	11	5	1,200	1,488	680
	C16	13	12	6	1,200	1,224	560
	C26	13	14	8	1,200	912	410
	C27	13	16	8	1,200	912	410
	C30	13	16	9	1,200	816	370
15	E14	18	11	5	800	1,054	680
	E17	18	12	6	800	867	560
	E18	18	13.5	6	800	867	560
	E29	18	13.5	7.5	800	697	450
	E34	18	14.5	8.5	600	612	390
	E43	18	16	10	600	527	340
	E47	18	19	11	600	476	300
22.5	F17	26	16.5	7	528	528	300
	F20	26	17	8.5	432	432	250
	F24	26	19	10	372	372	210
	F26	26	20	11	336	336	190
	F27	26	22	12	300	300	170
	F29	26	23	13	276	276	160
	F34	26	29.5	14.5	252	252	140
	F36	26	25	15	240	240	140
27.5	G15	32	18	9	340	340	
	G18	32	20	11	280	280	
	G22	32	24.5	13	230	230	
	G25	32	24	14	220	220	
	G26	32	28	14	220	220	
	G33	32	28	18	170	170	
	G34	32	33	18	170	170	
	G40	32	37	22	140	140	
37.5	K21	42	32	19	112	112	
	K27	42	37	22	98	98	
	K32	42	44	24	91	91	
	K42	42	45	30	70	70	
52.5	M16	57.5	45	30	50	50	