

M8 Sensor Cable Assembly Plug-Free

multicompPRO

Actuator and Sensor Cable, PVC-Connection Cable, M8, A-Coding

**RoHS
Compliant**



Features

- M8, Female, Angled, 3-Pin
- Cable Jacket material: PVC
- Resistant to chemicals and oils
- Flame-retardant
- Resistance to welding sparks
- Resistant to salt spray
- Protection Class: IP67
- Approval: cULus, CE
- Cable length: 2m

Technical Data

Connector A

Connector	: Female, M8 × 1, Angled, A-coding
Number of Pins	: 3
Contacts	: Brass, Gold-plated
Coupling Nut/screw	: Brass, Nickel-plated
Contact Carriers	: PBT
Seal	: FKM
Connector body	: PA
LED	: No
Mechanical lifespan	: ≥100 Mating cycles
Pollution degree	: 3
Protection Class	: IP67, (screwed together)
Locking mode	: Screw
Standard	: IEC 61076-2

Cable

Cable length	: 2m
Cable specification	: 3 × 0.25mm ²
Cable jacket	: PVC, Black
Shielding	: No
Core colors	: 1-BN, 3-BU, 4-BK
Sheath stripping length	: 50 mm
Core insulation	: PVC
Cable diameter	: Ø 5 ± 0.2mm

Electrical properties

Rated Voltage	: 60V
Current	: 4A
Contact resistance	: ≤ 3MΩ
Test voltage	: 800 V

Newark.com/multicomp-pro
Farnell.com/multicomp-pro
sg.element14.com/b/multicomp-pro

multicompPRO

M8 Sensor Cable Assembly Plug-Free



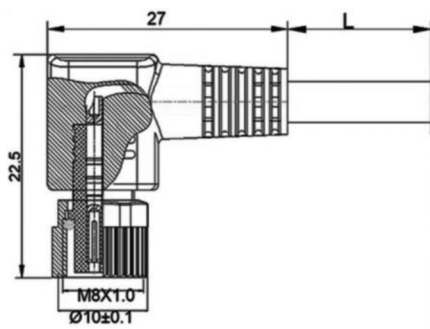
Mechanical and chemical properties

Ambient temperature range : -25°C to 80°C
 Bending radius (stationary installation) : $\geq 5 \times \varnothing$
 Bending radius (flexible use) : $\geq 10 \times \varnothing$
 Bending times : ≥ 1 Mio.

Contact assignment



Diagram



Dimensions : Millimetres

Connection diagram

CNI	Core colors
1	BN
3	BU
4	BK

Part Number Table

Description	Part Number
M8 Sensor Cable, Plug-Free End, PVC, A-Coding, 3 Pins, 2m	MP011284

Important Notice : This data sheet and its contents (the "Information") belong to the members of the AVNET group of companies (the "Group") or are licensed to it. No licence is granted for the use of it other than for information purposes in connection with the products to which it relates. No licence of any intellectual property rights is granted. The Information is subject to change without notice and replaces all data sheets previously supplied. The Information supplied is believed to be accurate but the Group assumes no responsibility for its accuracy or completeness, any error in or omission from it or for any use made of it. Users of this data sheet should check for themselves the Information and the suitability of the products for their purpose and not make any assumptions based on information included or omitted. Liability for loss or damage resulting from any reliance on the Information or use of it (including liability resulting from negligence or where the Group was aware of the possibility of such loss or damage arising) is excluded. This will not operate to limit or restrict the Group's liability for death or personal injury resulting from its negligence. Multicomp Pro is the registered trademark of Premier Farnell Limited 2019.

Newark.com/multicomp-pro
 Farnell.com/multicomp-pro
 sg.element14.com/b/multicomp-pro

