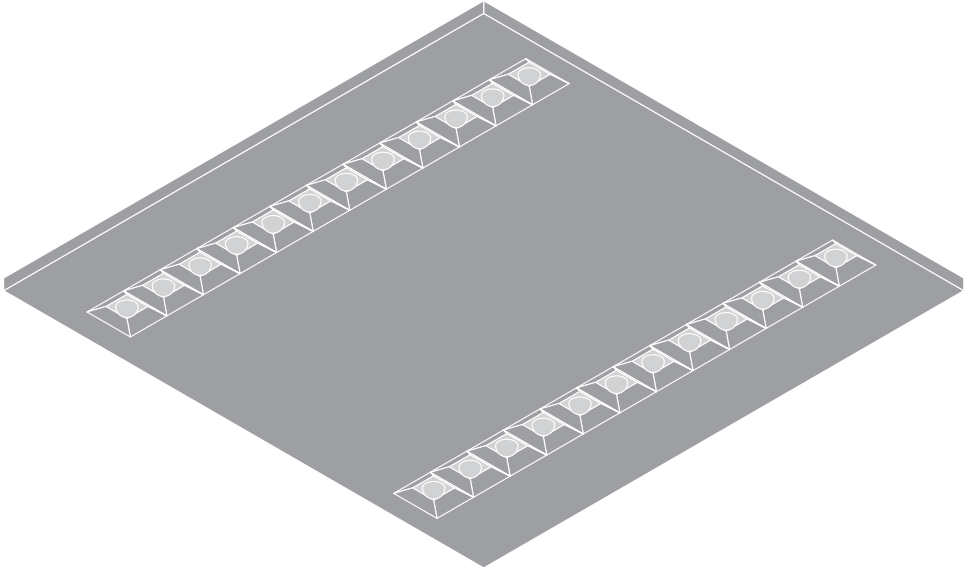
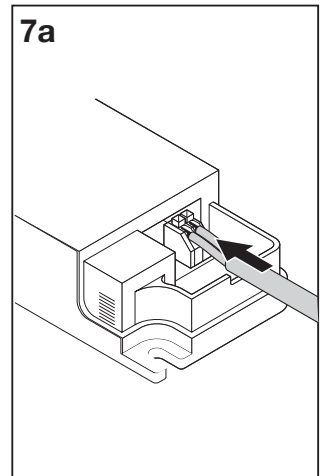
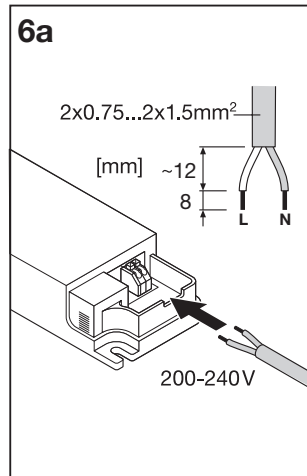
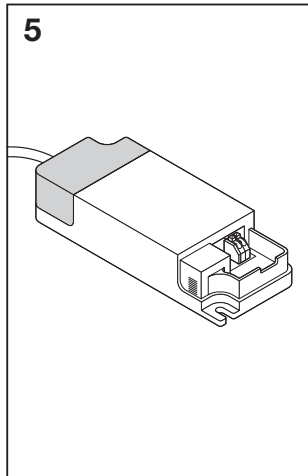
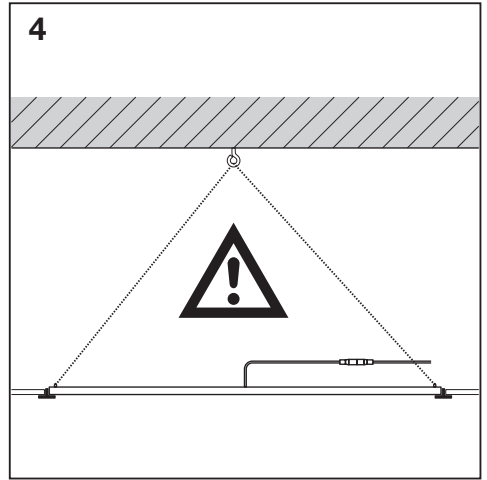
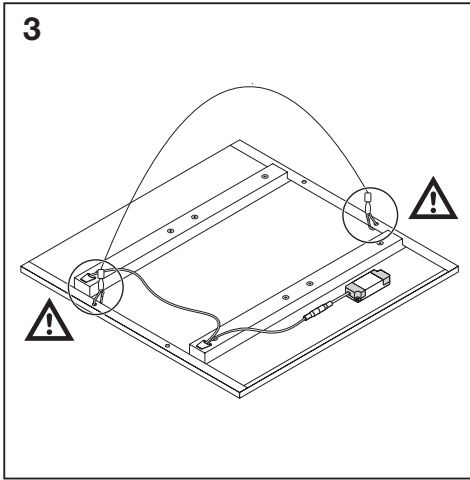
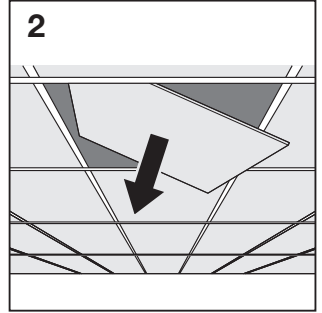
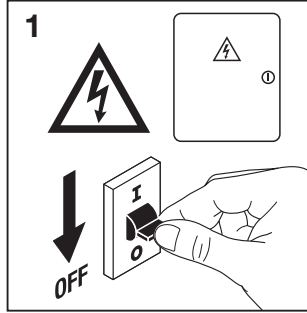
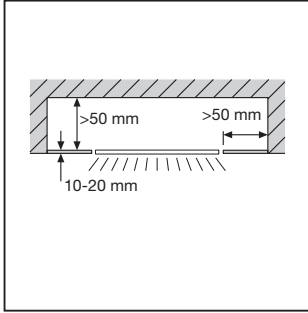


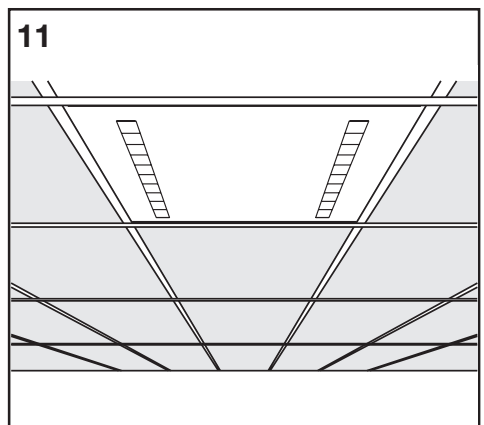
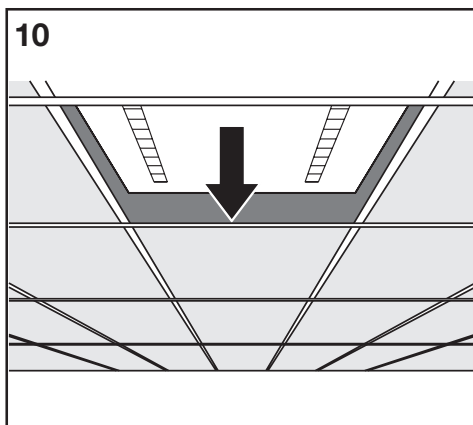
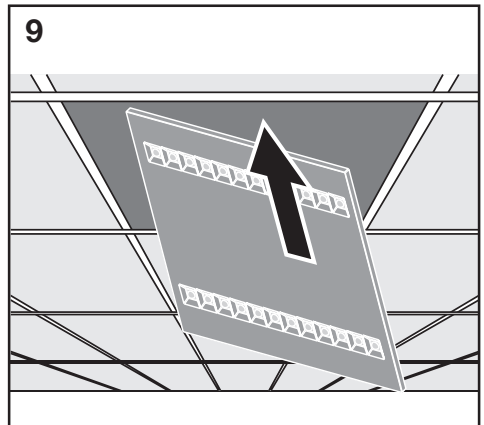
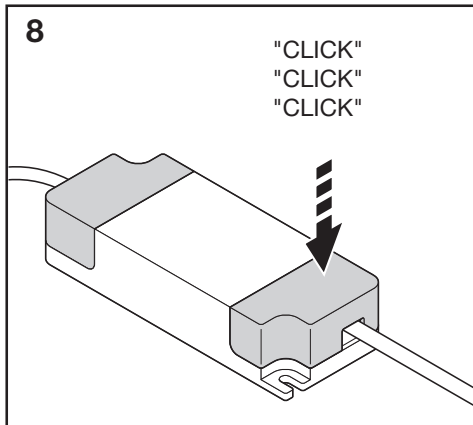
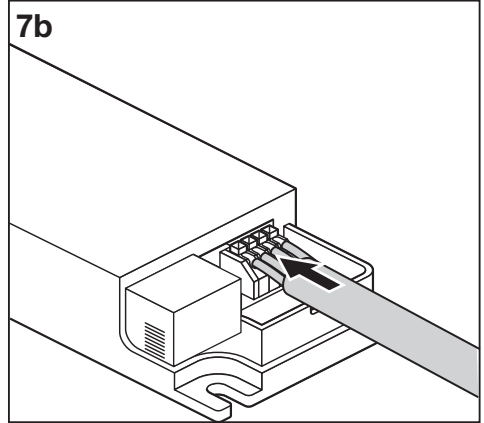
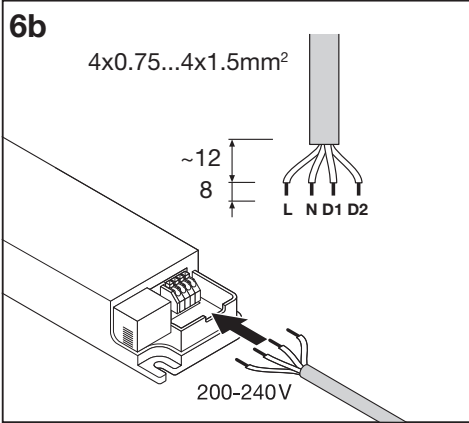
## PANEL LOUVER 600

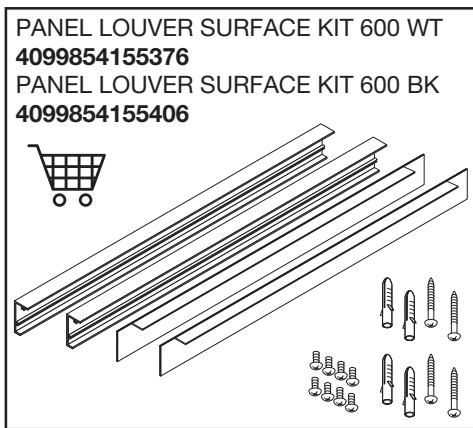
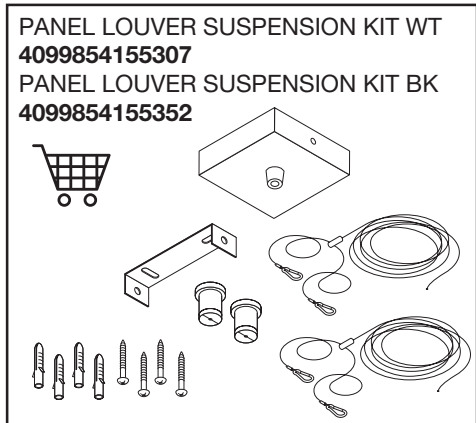
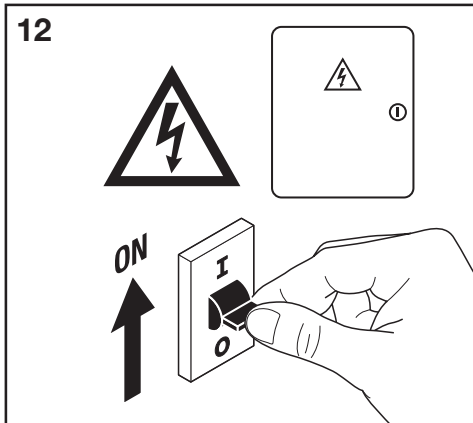


	EAN	l x w x h [mm]	W	V <sub>AC</sub>	Hz	lm	lm/W	K
Panel Louver 600 V 27.5W 840 U16 WT	4099854149634	595 x 595 x 25	27.5	200-240	50/60	4150	150	4000
Panel Louver 600 V 27.5W 840 U16 BK	4099854149658	595 x 595 x 25	27.5	200-240	50/60	4000	145	4000
Panel Louver 600 V 27.5W 840 U16 WT DALI	4099854149672	595 x 595 x 25	27.5	200-240	50/60	4150	150	4000
Panel Louver 600 V 27.5W 840 U16 BK DALI	4099854149696	595 x 595 x 25	27.5	200-240	50/60	4000	145	4000

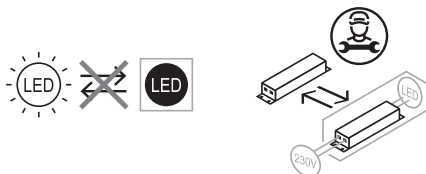
	EAN	IP	IK	∇	R <sub>a</sub>	θ (°C)	PF	👤
Panel Louver 600 V 27.5W 840 U16 WT	4099854149634	20	02	85°	>80	0° .. +40°	>0.9	2,15kg
Panel Louver 600 V 27.5W 840 U16 BK	4099854149658	20	02	85°	>80	0° .. +40°	>0.9	2,15kg
Panel Louver 600 V 27.5W 840 U16 WT DALI	4099854149672	20	02	85°	>80	0° .. +40°	>0.9	2,20kg
Panel Louver 600 V 27.5W 840 U16 BK DALI	4099854149696	20	02	85°	>80	0° .. +40°	>0.9	2,20kg







	B10	B16	B32	C10	C16	C32
PANEL LOUVER 600 V 27.5W 840 U16	8	13	26	13	21	42
PANEL LOUVER 600 V 27.5W 840 U16 DALI	8	13	26	13	21	42



© LEDVANCE Ltd, Aquila House  
Delta Crescent, Westbrook, Warrington  
WA5 7NR, United Kingdom



Points de collecte sur [www.quefairedemesdechets.fr](http://www.quefairedemesdechets.fr)

C10449057  
G11170516

11.08.23



LEDVANCE GmbH  
Steinerne Furt 62  
86167 Augsburg, Germany

[www.ledvance.com](http://www.ledvance.com)