

NOTES:

1. MATERIALS AND FINISHES:

- HOUSING - BRASS, GOLD PLATING
- FERRULE - COPPER, GOLD PLATING
- BODY - BERYLLIUM COPPER, GOLD PLATING
- CONTACT - BRASS, GOLD PLATING
- INSULATOR - PTFE, NATURAL

2. ELECTRICAL:

- A. IMPEDANCE: 50 OHM, NOMINAL
- B. FREQUENCY RANGE: 0-6 GHz
- C. VSWR (RETURN LOSS): 1.060 (-30.7 dB) MAX. @ 0-2.5 GHz
- D. D.W.V: 1000 VRMS, MIN.

3. MECHANICAL:

- A. DURABILITY: 500 CYCLES MIN.
- B. TEMPERATURE RANGE: -55°C TO +155°C

4. CRIMPED FERRULE HEX CRIMP SIZE .128"

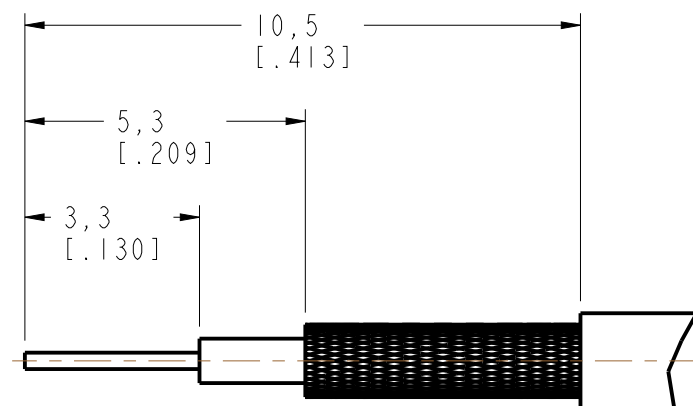
5. CONTACT PIN TO SOLDER

6 SHOWS CABLE ENTRY DIMENSIONS.

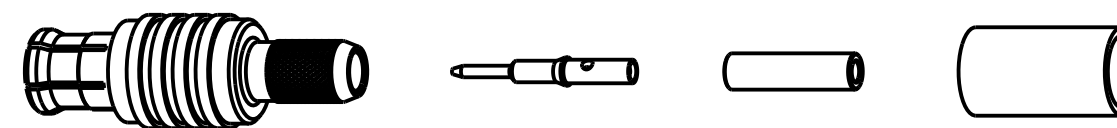
THIRD ANGLE PROJ.

REVISIONS

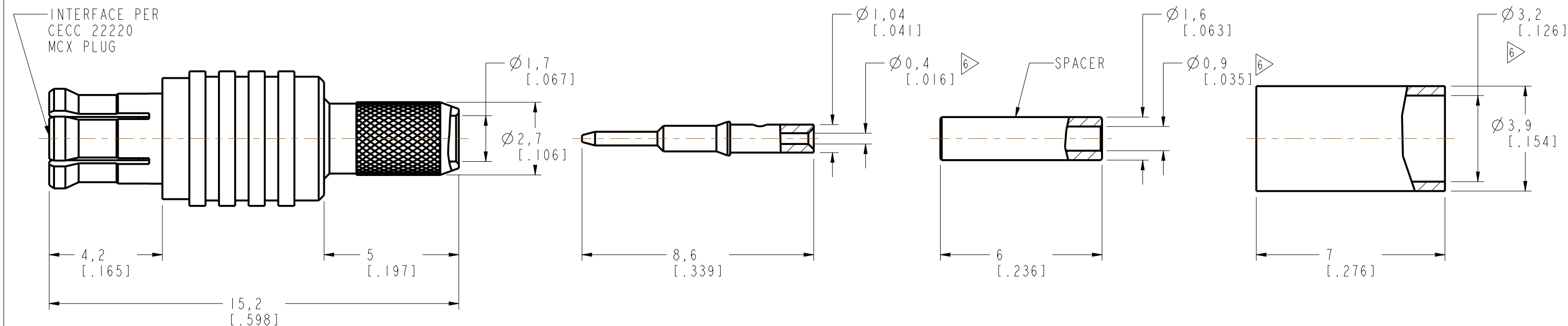
REV	DESCRIPTION	DATE	ECO	APPR
A	RELEASE TO MFG.	04-Sep-06	----	GEFFERY
B	A) 15.2, 5, 8.6 WERE: 14.7, 4.5, 8.10 B) ADDED SPACER, C) ADDED NOTES	19-Sep-14	2794	MZ/BCG



RECOMMENDED
CABLE STRIPPING DIM'S



SCALE 3.000



CUSTOMER OUTLINE DRAWING

ALL OTHER SHEETS ARE FOR INTERNAL USE ONLY

UNLESS OTHERWISE SPECIFIED, DIMENSIONS ARE IN METRIC AND TOLERANCES ARE:
 <0.5mm ±0.05mm 0.5 - 6mm ±0.1mm 6 - 30mm ±0.2mm 30 - 120mm ±0.3mm ANGLES ±1°

NOTICE - These drawings, specifications, or other data (1) are, and remain the property of Amphenol corp. (2) must be returned upon request; and (3) are confidential and not to be disclosed to any person other than those to whom they are given by Amphenol Corp. the furnishing of these drawings, specifications, or other data by Amphenol Corp., or to any other person to anyone for any purpose is not to be regarded by implication or otherwise in any manner licensing, granting rights to permitting such holder or any other person to manufacture, use or sell any product, process or design, patented or otherwise, that may in any way be related to or disclosed by said drawings, specifications, or other data.

MATERIAL	DRAWN M.ZHANG	DATE 19-Sep-14	TITLE MCX CRIMP PLUG (FOR RG-178B/U, 196A/U CABLE)		Amphenol Connex
REFERENCE MCX1121A1-009-3GT30G-50	ENGINEER S.DUAN	DATE 19-Sep-14	DRAWING NO.		
CONFIGURATION LEVEL: In Work	APPROVED S.HSIEH	DATE 19-Sep-14	SCALE: 7.0:1.0	SHEET 3 OF 3	ITEM NO.
FINISH	CAD FILE		DWG SIZE B	REV B	PART NO. 252127