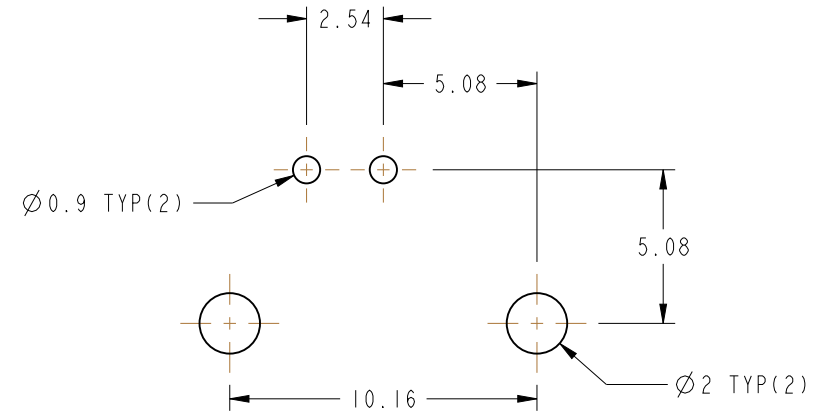


NOTES:

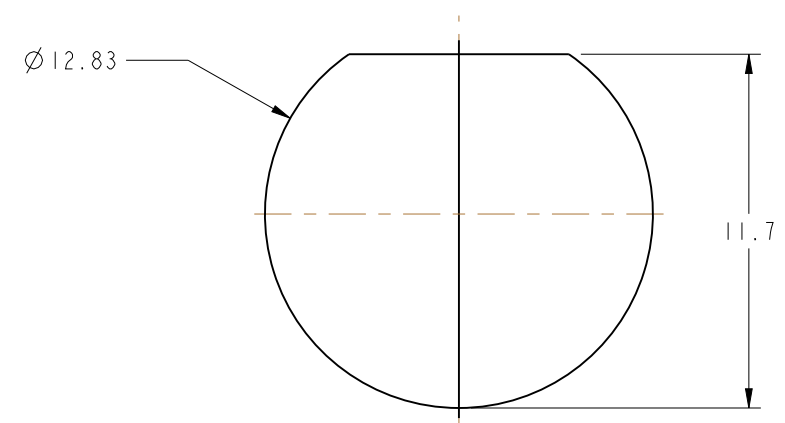
1. MATERIALS AND FINISHES:  
 BODY - ZINC ALLOY, NICKEL PLATING  
 CONTACT - PHOPHOR BRONZE, GOLD PLATING (.000003 THICK)  
 @CONTACT AREA ONLY, TIN PLATING AT TAIL, NICKEL PLATED OVERALL  
 INSULATOR - POLYPROPYLENE  
 HOUSING- PBT, BLACK, 15% G.F.  
 GROUNDING TERMINAL-STEEL, TIN PLATING  
 ROUND PIN-BRASS, TIN PLATING
2. ELECTRICAL:  
 A. IMPEDANCE: 50 OHM  
 B. FREQUENCY RANGE: DC - 1GHz  
 C. DIELECTRIC WITHSTANDING VOLTAGE: 1500 VRMS, MIN.
3. MECHANICAL:  
 A. DURABILITY: 500 CYCLES MIN.  
 B. TEMPERATURE RANGE: -55° C TO 85° C
4. PACKAGING:  
 A. PACKAGED IN PACKING TRAY  
 B. QUANTITY PER TRAY: 40

THIRD ANGLE PROJ.

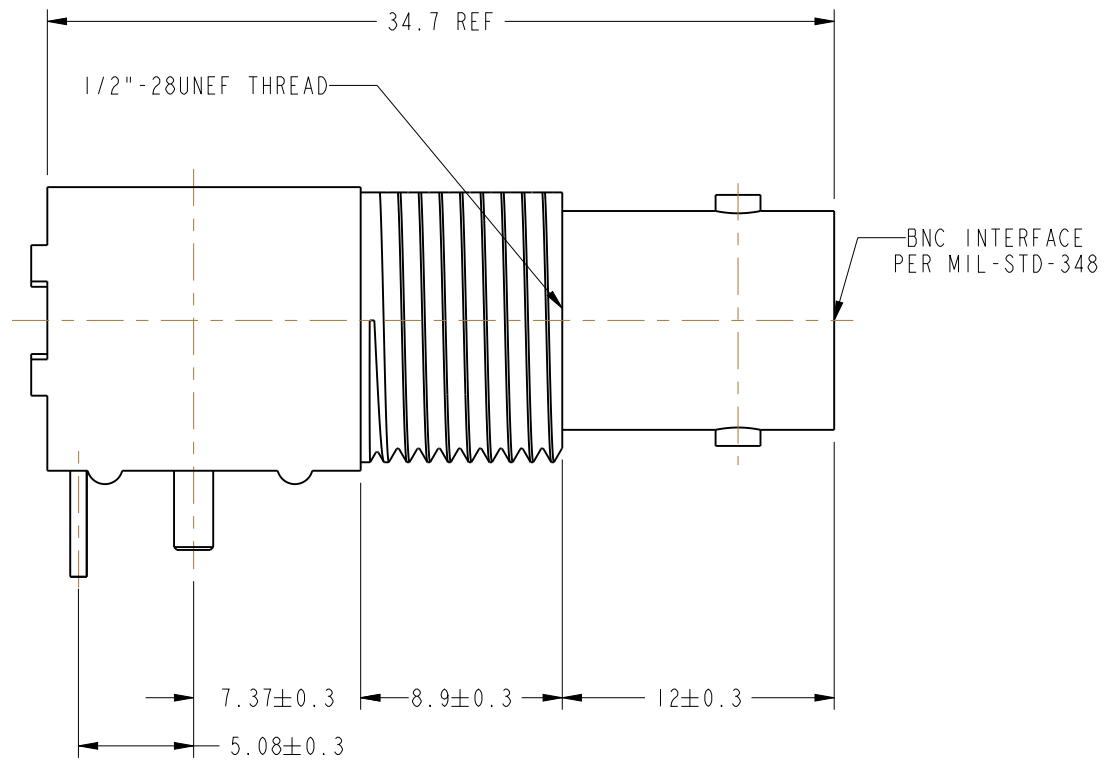
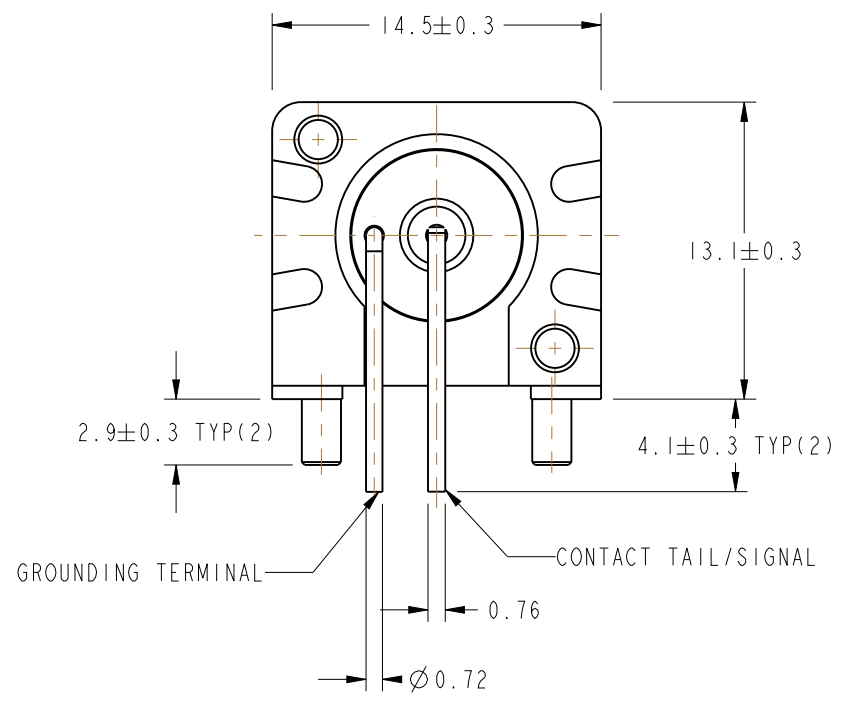
REVISIONS				
REV	DESCRIPTION	DATE	ECO	APPR
A	RELEASE TO MFG	4/12/91	38057	DR
E	SEE SHEET I	10/11/96	41588	CPM
F	SEE SHEET I	2/3/05	45257	CPM
G	UPDATED FORMAT AND NOMINAL ENVELOPE DIMENSIONS	7/26/12	49146	CW
H	SYNCH THE DRAWING WITH ARFA	15-Aug-12	49198	SH



RECOMMENDED PCB LAYOUT



RECOMMENDED PANEL CUTOUT



**CUSTOMER OUTLINE DRAWING**  
 ALL OTHER SHEETS ARE FOR INTERNAL USE ONLY

UNLESS OTHERWISE SPECIFIED, DIMENSIONS ARE IN METRIC AND TOLERANCES ARE: <0.5mm ±0.05mm    0.5 - 6mm ±0.1mm    6 - 30mm ±0.2mm    30 - 120mm ±0.3mm    ANGLES ±1°  NOTICE - These drawings, specifications, or other data (1) are, and remain the property of Amphenol corp. (2) must be returned upon request; and (3) are confidential and not to be disclosed to any person other than those to whom they are given by Amphenol Corp. the finishing of these drawings, specifications, or other data by Amphenol Corp., or to any other person to anyone for any purpose is not to be regarded by implication or otherwise in any manner licensing, granting rights to permitting such holder or any other sperson to manufacture, use or sell any product, process or design, patented or otherwise, that may in any way be related to or disclosed by said drawings, specifications, or other data.	MATERIAL	DRAWN	DATE	TITLE		Amphenol RF www.amphenolrf.com	
	SEE NOTES	S.LI	15-Aug-12				
	REFERENCE	ENGINEER	DATE	SCALE: 3.0:1.0		DRAWING NO. 31-5540	
	EAR 71004-5	D. ROYCE	4/8/91	SHEET 1 OF 2		ITEM NO. 31-5540	
FINISH	APPROVED	DATE	DWG SIZE		PART NO. 31-5540		
	S.HSIEH	15-Aug-12	B		REV H		