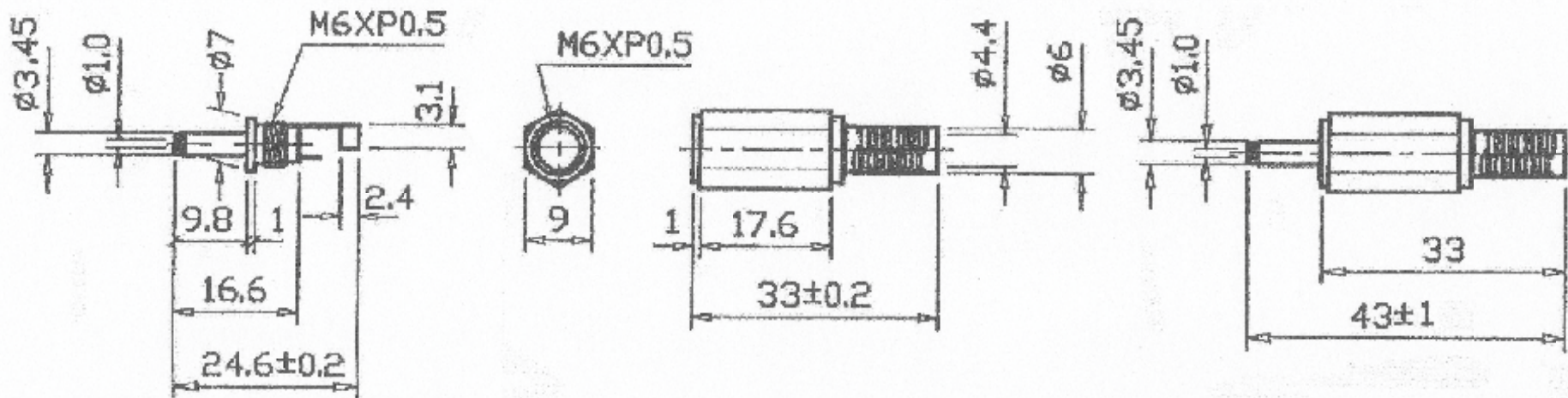


## Datenblatt



### SPECIFICATION:

1. RATING: 12VDC/3A
2. OPERATING TEMPERATURE:  
-40°C to +105°C