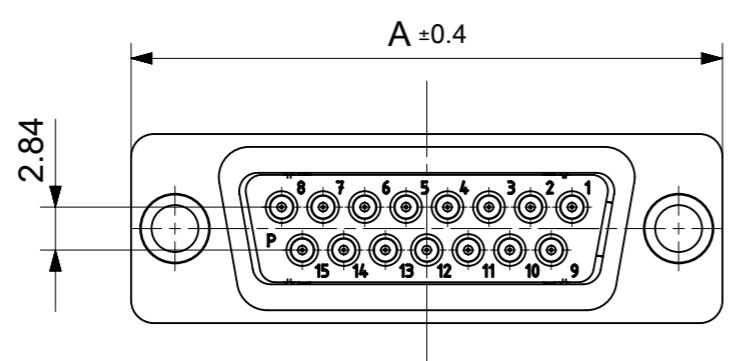
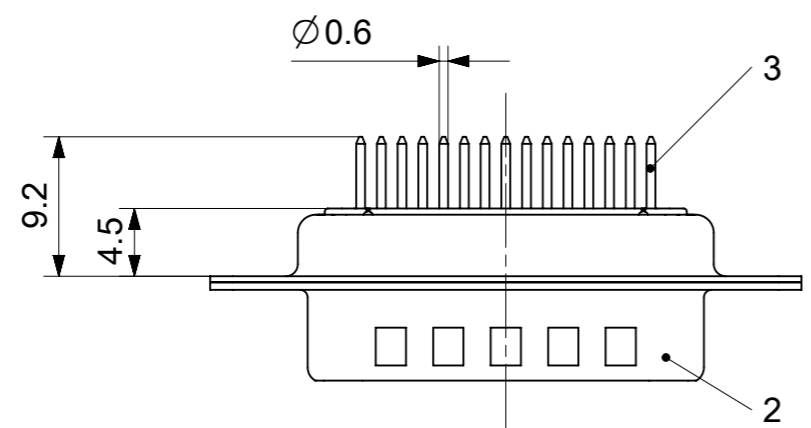
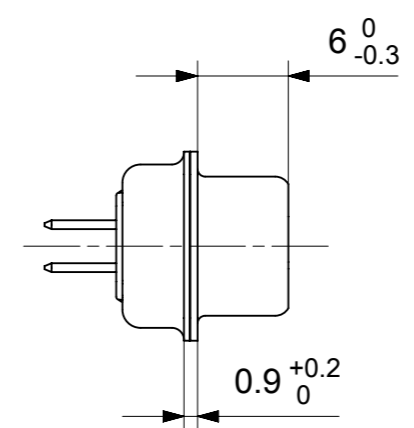
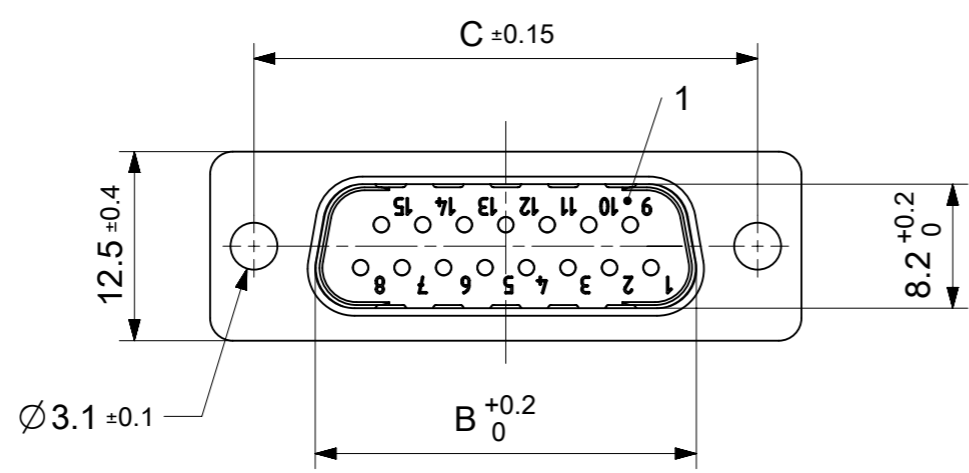


RoHS compliant  
by exemption



FCT Part number:

Fxx\*1)P24y\*2)

e.g. F15P24G1

\*1) xx No. of contacts 09, 15, 25 or 37

\*2) y for performance classes 1, 2 or 3

(contact cycle for G1/G2/G3 = 500/200/50)

Material Number	xx *1)	y *2)	A[mm]	B[mm]	C[mm]	*E[mm]
1731091991	09	G1	30.8	16.9	25	Ø1
1731090874		G2				
1731090907	15	G1	39.1	25.2	33.3	
1731090587		G2				
1731090920	25	G1	53	38.9	47.04	
1731090936	37	G1	69.3	55.3	63.5	

\*PCB hole patterns ØE see document 2195600023

No.	St.	Part	Type Description/Material	Surface plating/ Color/Class
3	xx	Signal contact	P24 / Brass	G1/G2
2	1	Shell	Steel	tin plated
1	1	Insulator	PBT(-55°C to +125°C) acc. UL94V-0	white

MEASUREMENTS WITHOUT TOLERANCE ACC TO ISO 2768-m

REPLACEMENT FOR DOCUMENT NUMBER: FxxP24Gy

FUNCTIONAL SYMBOLS: THIS DRAWING CONTAINS INFORMATION THAT IS PROPRIETARY TO MOLEX ELECTRONIC TECHNOLOGIES, LLC AND SHOULD NOT BE USED WITHOUT WRITTEN PERMISSION

DIMENSION UNITS: mm

SCALE: 2:1

GENERAL TOLERANCES (UNLESS SPECIFIED):

ANGULAR TOL ± °

4 PLACES ±

3 PLACES ±

2 PLACES ±

1 PLACE ±

0 PLACES ±

DRAFT WHERE APPLICABLE MUST REMAIN WITHIN DIMENSIONS

FIRST ANGLE PROJECTION

DRAWING: A3-SIZE

SERIES: 173109

MATERIAL NUMBER: SEE TABLE

CUSTOMER: GENERAL MARKET

SHEET NUMBER: 1 OF 1

EC NO: 705230

DRWN: GOOLAM 2021/11/15

CHK'D: MTEUBEL 2022/05/09

APPR: MTEUBEL 2022/05/09

INITIAL REVISION:

DRWN: GOOLAM 2021/11/15

APPR: MTEUBEL 2022/05/09

DOCUMENT NUMBER: 1731091991

DOC TYPE: PSD

DOC PART: 000

REVISION: A

**molex**

FCT D-SUB MINIATURE CONNECTOR

PRODUCT CUSTOMER DRAWING