

Printed circuit board mount

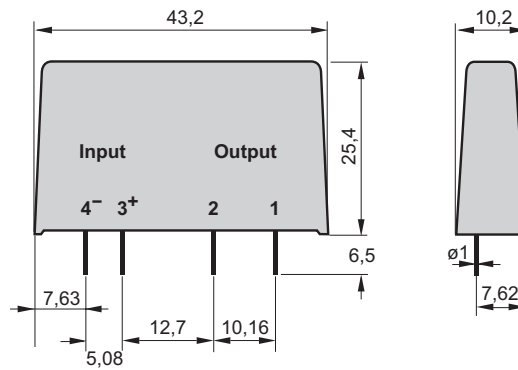
Solid-state relay HM

- Control voltage range: 4 ... 30 VDC, 3 ... 30 VDC
- Load voltage range: 12 ... 275 VAC, 2 ... 60 VDC
- Load current range: 5 mA ... 4 A, 5 mA ... 3 A

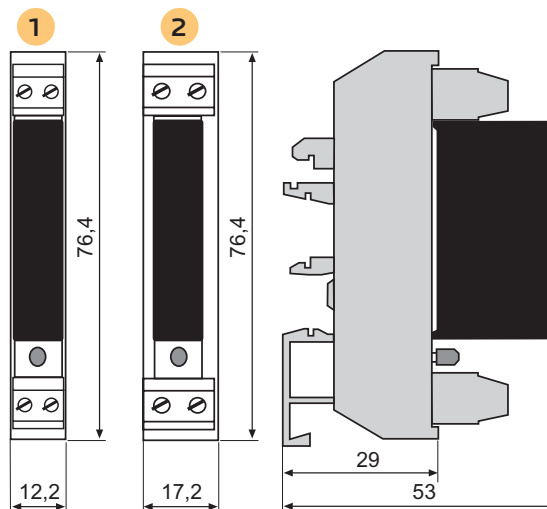


Construction M

Dimensions

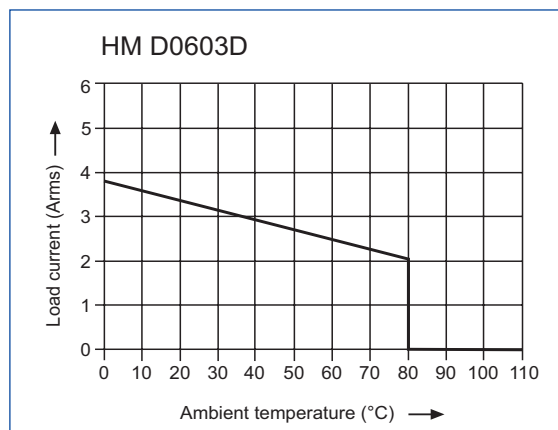
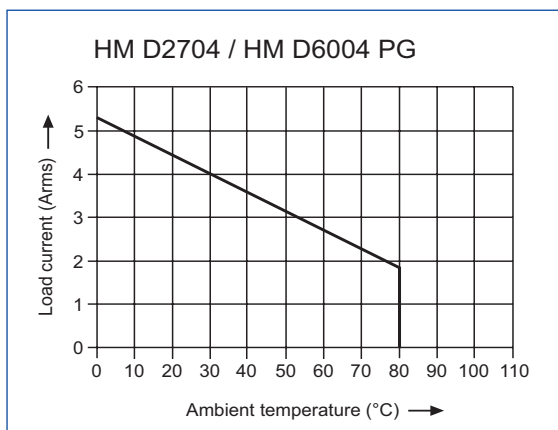


HM D2704
HM D0603D



HM D2704 PG 1
HM D0603D PG 1
HM D6004 PG 2

Thermal diagrams



Printed circuit board mount

Solid-state relay HM

Technical data	HM D2704	HM D0603D	HM D6004 PG
Zero switching	Yes	–	Yes
Instantaneous switching-on	–	Yes	–
Control circuit	DC	DC	DC
Load circuit	AC	DC	AC
Load circuit			
Voltage range	12 ... 275 VAC	2 ... 60 VDC	24 ... 600 VAC
Operating frequency range	10 ... 440 Hz	–	10 ... 440 Hz
Transient overvoltage	600 V	60 V	1200 V
Load current range	5 mA ... 4 A	5 mA ... 3 A	5 mA ... 4 A
Max. surge current (10 ms/AC; 1s/DC)	100 A	10 A	120 A
Max. off-state leakage current (rated voltage)	0,3 mA	1 mA	0,3 mA
Min. off-state du/dt	500 V/μs	200 V/μs	500 V/μs
Max. on-state voltage drop	1,6 V	1,6 V	1,6 V
Max. turn-on time	10 ms	200 μs	10 ms
Max. turn-off time	10 ms	800 μs	10 ms
Max. I ² t for fusing (< 10 ms)	50 A ² s	3 A	72 A ² s
Control circuit			
Control voltage range	4 ... 30 VDC	3 ... 30 VDC	5 ... 30 VDC
Must release voltage	0,8 VDC	1 VDC	0,8 VDC
Nominal input impedance	1000 Ω	1000 Ω	1000 Ω
Typical input current at nominal voltage	3 mA	1 mA	3 mA
Generalities			
Insulation input/output	4000 Vrms	2500 Vrms	4000 Vrms
Galvanic insulation input ↔ output	No	No	No
Ambient operating temperature range	-40 ... +80 °C	-40 ... +80 °C	-40 ... +80 °C
Ambient storage temperature range	-40 ... +150 °C	-40 ... +105 °C	-40 ... +105 °C
Weight (typical)	20 g	20 g	
Approvals	UL	–	
Article number	42310081	42310080	
(Order data see chapter 1)			

Mounted on profile housing	HM D2704 PG	HM D0603D PG	HM D6004 PG
Generalities			
Ambient operating temperature range	-40 ... +80 °C	-40 ... +80 °C	-40 ... +80 °C
Ambient storage temperature range	-40 ... +150 °C	-40 ... +105 °C	-40 ... +105 °C
Weight (typical)	30 g	30 g	30 g
Approvals	UL	–	–
Article number	42310086	42310087	42310088
(Order data see chapter 1)			