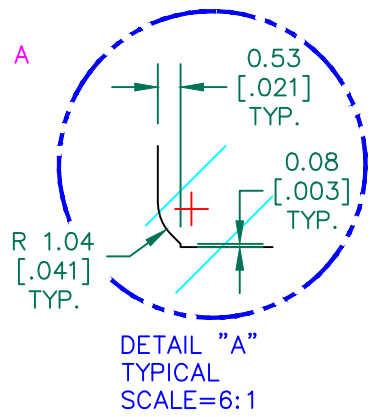
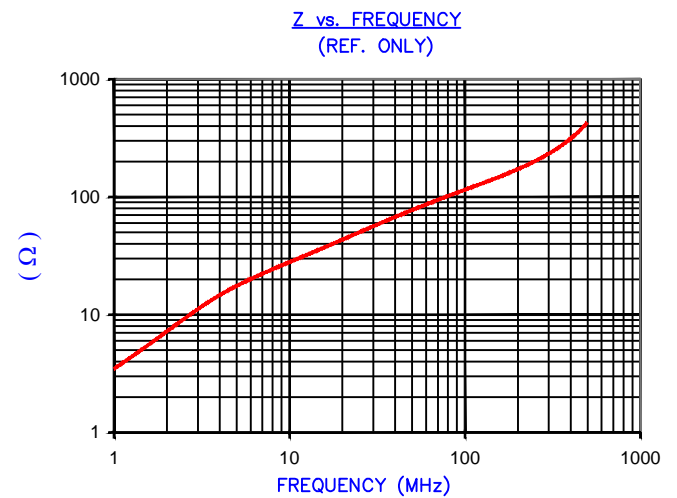


RoHS

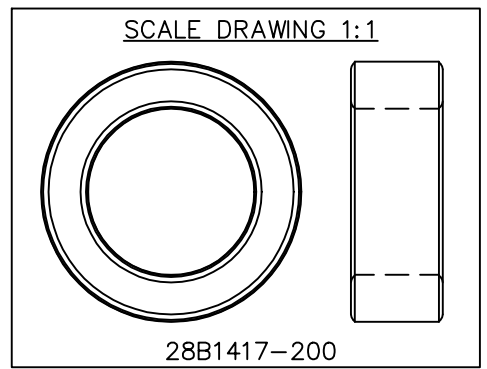
SECTION A - A
SEE DETAIL "A"



IMPEDANCE (Z)			
Frequency	25 MHz	100 MHz	300 MHz
Nominal (REF)	52 Ω	115 Ω	230 Ω
Minimum	- Ω	92 Ω	- Ω



AGILENT E4991A Impedance/Material Analyzer
HP 16092A-Test Fixture REF #3132



NOTES: UNLESS OTHERWISE SPECIFIED
1. COSMETIC SPECIFICATION REFER TO WI-QA-038.

FERRITE CORE DIMENSIONS (SPEC): mm [in]

A	36.00 [1.417]	±	0.66 [0.026]
B	23.00 [.905]	±	0.46 [0.018]
C	12.70 [.500]	±	0.32 [0.013]

WEIGHT/1000 37.51 kgs [82.70 lbs]

DIMENSIONS ARE IN mm [INCHES].				This print is the property of Laird Tech. and is loaned in confidence subject to return upon request and with the understanding that no copies shall be made without the written consent of Laird Tech. All rights to design or invention are reserved.		Laird	
C	UPDATE COMPANY LOGO	05/22/15	QIU	PROJECT/PART NUMBER: 28B1417-200		REV C	DRAWN BY: JRK
B	UPDATE Z SPECS AND COMPANY LOGO	06/15/07	JRK	DATE: 06/29/04	SCALE: 1.5 : 1	MATERIAL: FERRITE	
A	ORIGINAL DRAFT	06/29/04	JRK	CAD # 28B1417-200-C	TOOL # B1417		
REV	DESCRIPTION	DATE	INT				