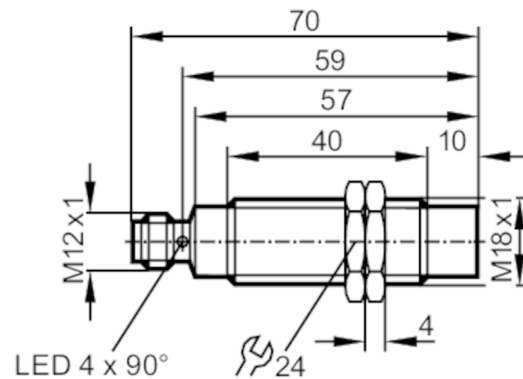




Inductive sensor

IGKC012-ASKG/US-104-DRS



Product characteristics

Electrical design	PNP/NPN
Output function	normally open
Sensing range [mm]	12
Housing	threaded type
Dimensions [mm]	M18 x 1 / L = 70

Application

Special feature	Gold-plated contacts; Increased sensing range
-----------------	---

Electrical data

Operating voltage [V]	10...36 DC
Current consumption [mA]	< 10; (only in 3-wire operation)
Protection class	II
Reverse polarity protection	yes

Outputs

Electrical design	PNP/NPN
Output function	normally open
Max. voltage drop switching output DC [V]	2.5
Minimum load current [mA]	2; (only in 2-wire operation)
Max. leakage current [mA]	0.5; (only in 2-wire operation)
Permanent current rating of switching output DC [mA]	100
Switching frequency DC [Hz]	200
Short-circuit protection	yes
Type of short-circuit protection	pulsed
Overload protection	yes

IG6566



Inductive sensor

IGKC012-ASKG/US-104-DRS

Detection zone		
Sensing range	[mm]	12
Real sensing range Sr	[mm]	12 ± 10 %
Operating distance	[mm]	0...9.72
Increased sensing range		yes
Accuracy / deviations		
Correction factor		steel: 1 / stainless steel: 0.7 / brass: 0.5 / aluminium: 0.45 / copper: 0.35
Hysteresis	[% of Sr]	1...20
Switch point drift	[% of Sr]	-10...10
Operating conditions		
Ambient temperature	[°C]	-40...85
Protection		IP 67; IP 69K
Tests / approvals		
EMC	EN 61000-4-2 ESD	4 kV CD / 8 kV AD
	EN 61000-4-3 HF radiated	30 V/m
	EN 61000-4-4 Burst	2 kV
	EN 61000-4-5 Surge	0,5 kV supply / line to line, Ri: 2 Ohm
	EN 61000-4-6 HF conducted	10 V
	EN 55011	class B
Vibration resistance	EN 60068-2-6 Fc	20 g (10...3000 Hz) / -20...50 °C 50 sweep cycles per frequency; 1 octave per minute in 3 axes
	EN 60068-2-27 Ea	100 g 11 ms half-sine; 3 shocks each in every direction of the 3 coordinate axes / -40...85 °C
Shock resistance	EN 60068-2-30 Eb	40 g 6 ms; 4000 shocks each in every direction of the 3 coordinate axes / -20...50 °C
Continuous shock resistance	EN 60068-2-52 Kb	severity level 5 (4 test cycles)
Salt spray test		
MTTF	[years]	1195
UL approval	Ta	-40...85 °C
	Enclosure type	Type 1
	voltage supply	Limited Voltage/Current
	File number UL	E174191
Mechanical data		
Weight	[g]	54.6
Housing		threaded type
Mounting		non-flush mountable
Dimensions	[mm]	M18 x 1 / L = 70
Thread designation		M18 x 1
Materials		housing: stainless steel; sensing face: LCP natural; plug: PEI; O-ring: FKM
Displays / operating elements		
Display	switching status	4 x 90° LED, yellow
Accessories		
Accessories (supplied)		lock nuts: 2

IG6566



Inductive sensor

IGKC012-ASKG/US-104-DRS

Remarks

Pack quantity

1 pcs.

Electrical connection - plug

Connector: 1 x M12; Contacts: gold-plated

