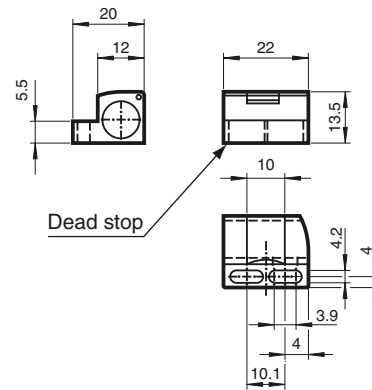




Dimensions



Model number

BF 8-F

Befestigungsflansch mit Festanschlag, 8 mm

Features

- Black plastic housing with dead stop for all cylindrical sensors with M8 thread
- Easy sensor replacement via fixing flap in the top of the fixing flange
- Embeddable sensors lie flush with the surface of the fixing flange
- The cap of a non-embeddable sensor protrudes through the fixing flange. This allows non-embeddable sensors to be easily mounted on metal surfaces.
- max. 4 mm range of adjustment is provided for the positioning of the flange by means of the elongated holes on the side

Technical data

General specifications

Inside diameter 8 mm

Ambient conditions

Ambient temperature -25 ... 85 °C (248 ... 358 K)

Mechanical specifications

Material Polycarbonate (PC), black

Notes

Installation

- Position the mounting bracket on the desired place
- Mark the position of drilling holes in the mid section of the oblong holes
- Drill the mounting holes through the surface
- Screw on the mounting bracket slightly via the lateral oblong holes by using suitable M4 screws
- Stick the sensor through the mounting bracket and fix the sensor by the lid on the upper part of the bracket
- Adjust the bracket and make the final positioning
- Fix the mounting bracket finally with the screws