



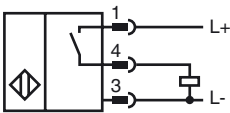
Model Number

NBB1,5-F79-E2-0,1M-V3

Features

- 1.5 mm embeddable
- 3-wire DC

Connection



Pinout



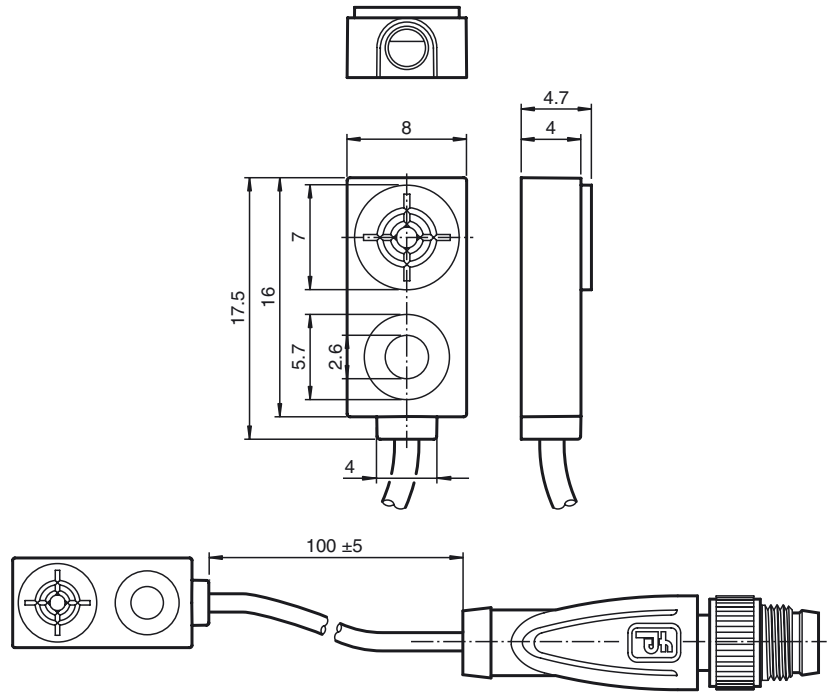
Wire colors in accordance with EN 60947-5-2

1	BN	(brown)
3	BU	(blue)
4	BK	(black)

Accessories

- V3-WM**
Female connector, M8, 3-pin, field attachable
- V3-GM**
Female connector, M8, 3-pin, field attachable
- V3-WM-2M-PUR**
Cable socket, M8, 3-pin, PUR cable
- V3-GM-2M-PUR**
Cable socket, M8, 3-pin, PUR cable

Dimensions



Technical Data

General specifications

Switching element function		PNP	NO
Rated operating distance	s_n	1.5 mm	
Installation		embeddable	
Output polarity		DC	
Assured operating distance	s_a	0 ... 1.215 mm	
Reduction factor r_{Al}		0.3	
Reduction factor r_{Cu}		0.2	
Reduction factor r_{303}		0.7	

Nominal ratings

Operating voltage	U_B	5 ... 30 V DC
Switching frequency	f	0 ... 1200 Hz
Hysteresis	H	typ. 5 %
Short-circuit protection		pulsing
Voltage drop	U_d	≤ 1.5 V
Operating current	I_L	0 ... 100 mA
Off-state current	I_r	≤ 10 μ A
No-load supply current	I_0	≤ 15 mA

Functional safety related parameters

MTTF _d	4830 a
Mission Time (T _M)	20 a
Diagnostic Coverage (DC)	0 %

Ambient conditions

Ambient temperature	-25 ... 70 °C (-13 ... 158 °F)
---------------------	--------------------------------

Mechanical specifications

Connection type	Cable connector M8 x 1 , 3-pin with PVC cable 100 mm
Core cross-section	0.09 mm ²
Housing material	PA
Sensing face	PA
Protection degree	IP67

Compliance with standards and directives

Standard conformity	
Standards	EN 60947-5-2:2007 IEC 60947-5-2:2007

Approvals and certificates

CCC approval	Products with a maximum operating voltage of ≤ 36 V do not bear a CCC marking because they do not require approval.
--------------	--

Release date: 2011-07-22 15:49 Date of issue: 2011-07-22 224032_eng.xml