






SEPARATE ACTUATOR, UNIVERSAL RADIUS
 ACTUATOR WITH 90 DEGR ROTATED ACTUATOR
 TONGUE FOR POS. WITH TUMBLER, 3SE5312../
 3SE5322.. AND ASI 3SF13... AND POS. WITH
 SEPARATE ACTUATOR 3SE51../3SE52.. AND ASI
 3SF11../3SF12..

Product designation	actuator	
General technical data:		
Shock resistance	30g / 11 ms	
Vibration resistance	0.35 mm / 5g	
Mechanical service life (switching cycles)	1 000 000	
• typical		
Equipment marking	T	
• acc. to DIN EN 61346-2	T	
• acc. to DIN EN 81346-2	T	
Active principle	mechanical	
Drive Head:		
Design of the operating mechanism	universal actuator	
Ambient conditions:		
Ambient temperature		
• during operation	°C	-25 ... +85
• during storage	°C	-40 ... +90
Installation/ mounting/ dimensions:		
mounting position	any	
Mounting type	screw fixing	
Certificates/ approvals:		

General Product Approval	Declaration of Conformity	Test Certificates	other
 CSA	 UL	 EAC	 EG-Konf. Special Test Certificate Confirmation

Further information

Information- and Downloadcenter (Catalogs, Brochures,...)

<http://www.siemens.com/industrial-controls/catalogs>

Industry Mall (Online ordering system)

<http://www.siemens.com/industrymall>

Cax online generator

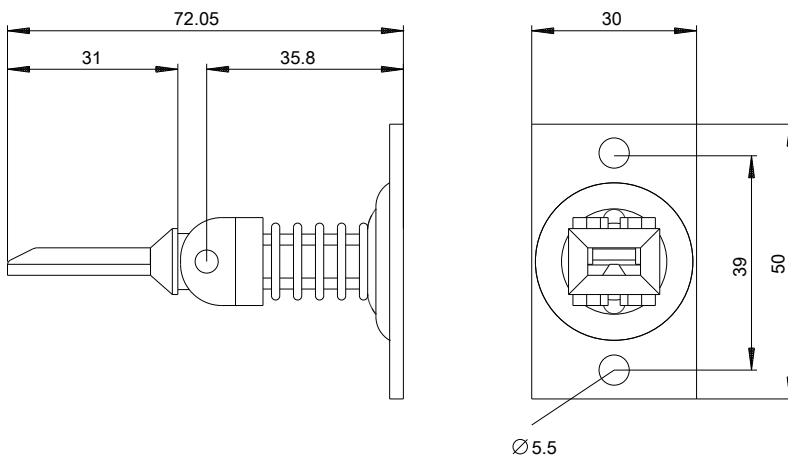
<http://support.automation.siemens.com/WW/CAXorder/default.aspx?lang=en&mlfb=3SE50000AV051AA6>

Service&Support (Manuals, Certificates, Characteristics, FAQs,...)

<http://support.automation.siemens.com/WW/view/en/3SE50000AV051AA6/all>

Image database (product images, 2D dimension drawings, 3D models, device circuit diagrams, EPLAN macros, ...)

http://www.automation.siemens.com/bilddb/cax_de.aspx?mlfb=3SE50000AV051AA6&lang=en



last modified:

09.03.2015