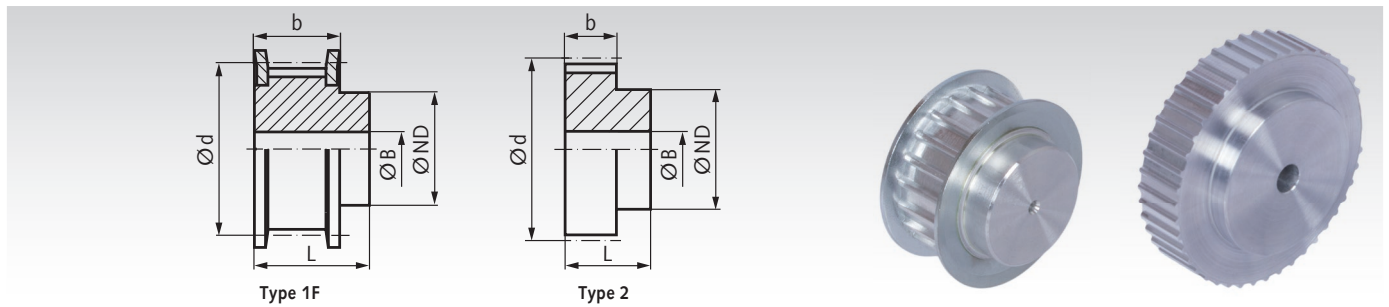


AT Pulleys, Pitch 10 mm Made from Aluminium

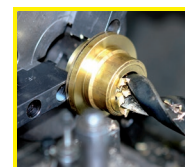


Material: Aluminium similar to EN AW2017A. Flanges zinc-plated steel.

Ordering Details: e.g.: Product No. 16851500, Pulley, Pitch AT 10, 15 Teeth, Timing Belt Width 50 mm

Profile AT 10, Timing Belt Width 50 mm

Product No. Belt Width 50 mm	Designation	Number of teeth	Type	Outside Ø						Pilot Hole B mm	Weight g
				Pulley mm	Flange mm	d mm	ND mm	b mm	L mm		
168 515 00	66 AT10/15-2	15	1F	45,93	51	47,75	32	56	66	8	260
168 516 00	66 AT10/16-2	16	1F	49,11	54	50,93	35	56	66	8	300
168 517 00	66 AT10/17-2	17	1F	52,29	57	54,11	38	56	66	8	329
168 518 00	66 AT10/18-2	18	1F	55,48	60	57,30	40	56	66	10	420
168 519 00	66 AT10/19-2	19	1F	58,66	66	60,48	44	56	66	10	470
168 520 00	66 AT10/20-2	20	1F	61,84	66	63,66	46	56	66	12	520
168 522 00	66 AT10/22-2	22	1F	68,21	75	70,03	52	56	66	12	570
168 524 00	66 AT10/24-2	24	1F	74,57	83	76,39	58	56	66	12	740
168 525 00	66 AT10/25-2	25	1F	77,76	83	79,58	60	56	66	12	770
168 526 00	66 AT10/26-2	26	1F	80,94	87	82,76	60	56	66	12	820
168 527 00	66 AT10/27-2	27	1F	84,12	91	85,94	60	56	66	12	950
168 528 00	66 AT10/28-2	28	1F	87,31	93	89,13	60	56	66	12	960
168 530 00	66 AT10/30-2	30	1F	93,67	97	95,49	60	56	66	12	1170
168 532 00	66 AT10/32-2	32	1F	100,04	106	101,86	65	56	66	12	1300
168 536 00	66 AT10/36-2	36	1F	112,77	119	114,59	70	56	66	16	1640
168 540 00	66 AT10/40-2	40	1F	125,50	131	127,32	80	56	66	16	2000
168 544 00	66 AT10/44-0	44	2	138,24	-	140,06	88	56	66	16	2360
168 548 00	66 AT10/48-0	48	2	150,97	-	152,79	95	56	66	16	2830
168 560 00	66 AT10/60-0	60	2	189,17	-	190,99	110	56	66	16	4370
168 572 00	66 AT10/72-0	72	2	227,36	-	229,18	140	56	66	16	6541



**Reworking within
24h-service possible.
Custom made parts
on request.**