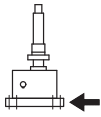


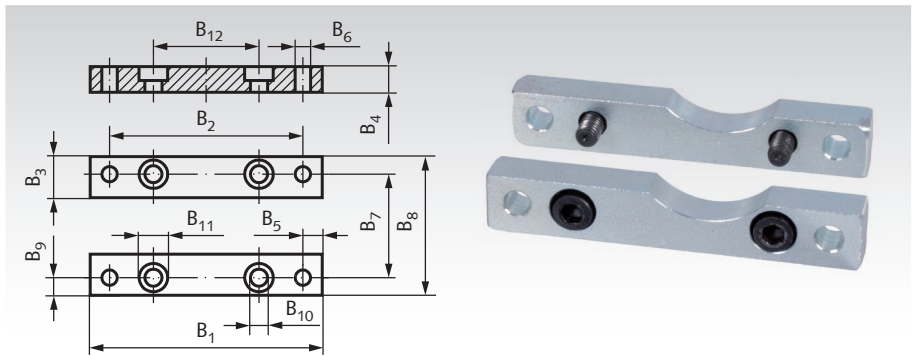
Fastening strips for NPT and NPK

Material: Steel St52, zinc-plated.

Fastening strip set incl. screws for fastening the gearbox to the top or bottom side. NPK version C requires longer screws (not included).



Ordering details: e.g.: Prod. No. 475 000 11, Fastening strips set, Size 0



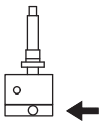
Product No.	Size	B ₁ mm	B ₂ mm	B ₃ mm	B ₄ mm	B ₅ mm	B ₆ mm	B ₇ mm	B ₈ mm	B ₉ mm	B ₁₀ mm	B ₁₁ mm	B ₁₂ mm	Weight kg
475 000 11	0	90	75	15	10	7,5	6,5	38	54	8	6,6	11	48	0,1
475 001 11	1 ¹⁾	120	100	20	10	10	8,5	52	72	10	9	15	60	0,3
475 002 11	2	140	120	20	10	10	8,5	63	85	10	9	15	78	0,5
475 003 11	3	170	150	25	12	10	11	81	105	12	11	18	106	1,0
475 004 11	4	230	204	30	16	13	13,5	115	145	15	13,5	20	150	1,8

¹⁾ For worm gear screw jacks NPK version B, the mounting strips must be machined to fit the square tube.

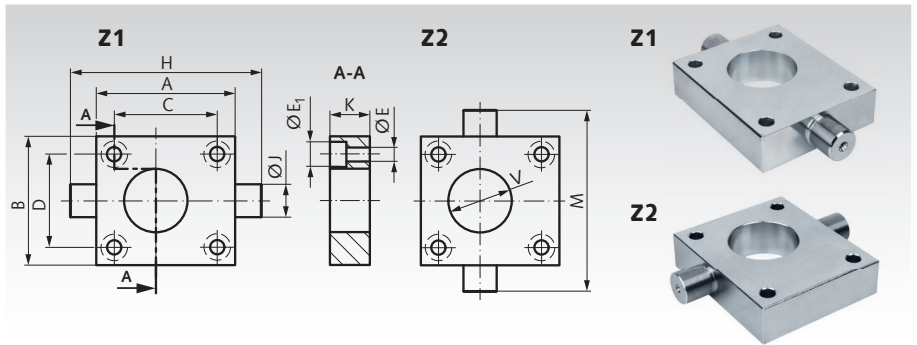
Swivel plate for NPT and NPK

Material: Steel St52, zinc-plated.

Swivel plate incl. screws for mounting the gear unit on the top or bottom side.



Ordering details: e.g.: Prod. No. 475 000 12, Swivel plate version Z1, Size 0

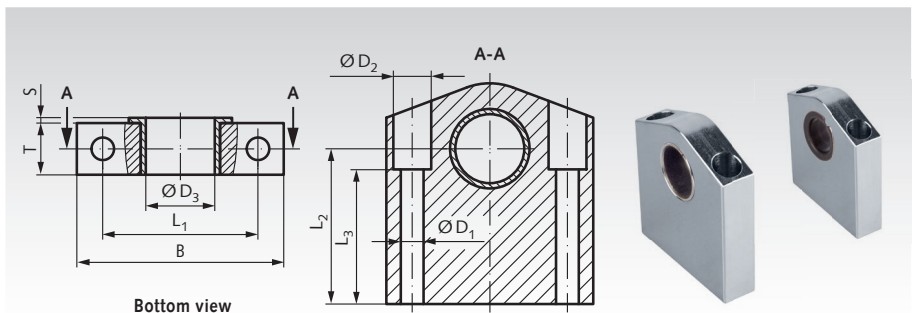
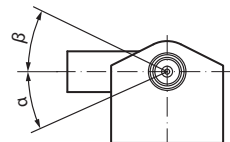


Product No. Version Z1	Product No. Version Z2	Size	A mm	B mm	C mm	D mm	EH ¹³ mm	E ₁ ^{H13} mm	H mm	Jh ⁷ mm	K mm	M mm	V ^{+0,5} mm	Weight kg
475 000 12	475 000 13	0	64	54	48	38	6,6	11	84	10	15	74	35	0,4
475 001 12	475 001 13	1	80	72	60	52	9	15	110	15	20	102	35	0,8
475 002 12	475 002 13	2	100	85	78	63	9	15	140	20	25	125	44	1,5
475 003 12	475 003 13	3	130	105	106	81	11	18	170	25	30	145	54	3
475 004 12	475 004 13	4	180	145	150	115	13,5	20	240	35	40	205	66	7

Swivel feet for swivel plate, for NPT and NPK

Material: Steel C45, zinc-plated.

Swivel foot set (pair) for mounting the swivel plate. The centre distance of both swivel feet is dimension L₄ when assembled.



Ordering details: e.g.: Prod. No. 475 000 14, Swivel feet set, Size 0

Product No. Pair	Size	L ₁ mm	L ₂ mm	L ₃ mm	L ₄ mm	D ₁ ^{H13} mm	D ₂ ^{H13} mm	D ₃ ^{H7} mm	B mm	S mm	T mm	α °	β °	Weight kg
475 000 14	0	40	28	19	66	4,5	8	10	50	1	10	30	90	0,1
475 001 14	1	40	35	30	89	6,6	11	15	55	1	15	30	90	0,2
475 002 14	2	45	45	39	103	6,6	11	20	60	1,5	15	30	90	0,3
475 003 14	3	60	55	45	128	11	18	25	80	1,5	20	30	50	0,7
475 004 14	4	75	65	50	174	13,5	20	35	100	2	25	26	37	1,3