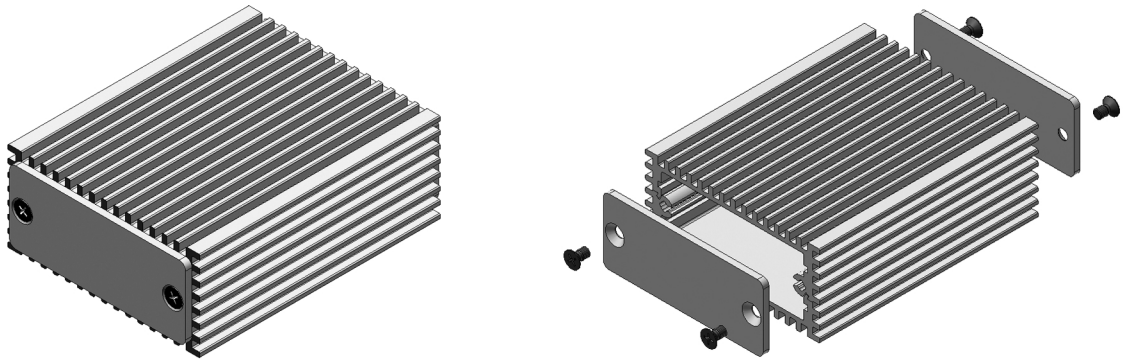


A

Miniature aluminium casing with cooling fins

B

C



D

- with integrated cooling fins; casing tubes made of aluminium sections which are slotted into each other and screwed together
- the tubes form a guide groove in the centre for insertion of a printed circuit board or installation plate with a thickness of 1.5 to 1.6 mm and a width of 44 mm
- D-Sub connector, 25-way, can be mounted → **f.con "I"**
- profile can also be combined with the profiles of case AKG 55 (**GB 39** and **GB 46**)
- supplied as demounted kit, incl. 2 mm cover panels and mounting material
- cutouts, special lengths and surface treatments upon request

E

F

art. no.		
	<p style="text-align: center;">GB 56</p>	
KRK 60 28 ...		
please indicate:	... 50 80 100 mm	... surface SA = black anodised ME = natural colour anodised

G

Profile in metre lengths → M 34

H

I

K

L

M

N

M 33
EMC-seals
Combination cases
Cooling case
Tube cases

 → M 49 – 51
 → M 11 – 17
 → M 35 – 39
 → M 21 – 25

Design case Secco
Design case Frame
Design case Chac
Design case Eurotainer

 → M 42
 → M 43 – 44
 → M 45
 → M 46