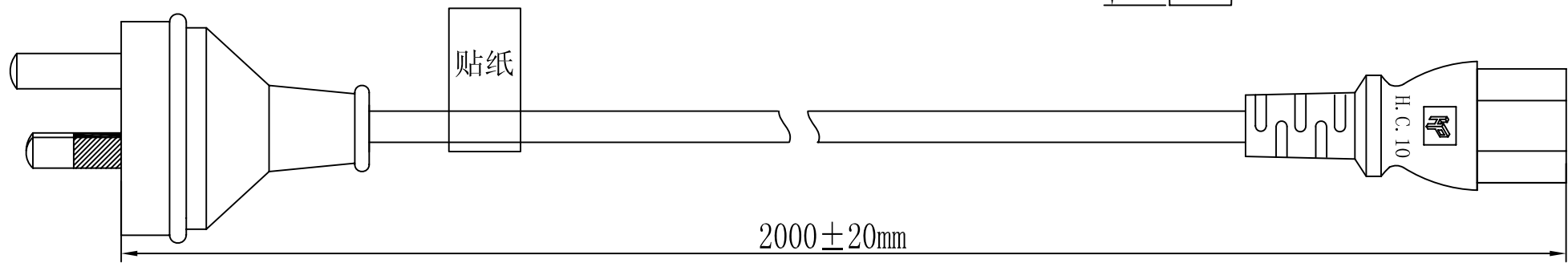
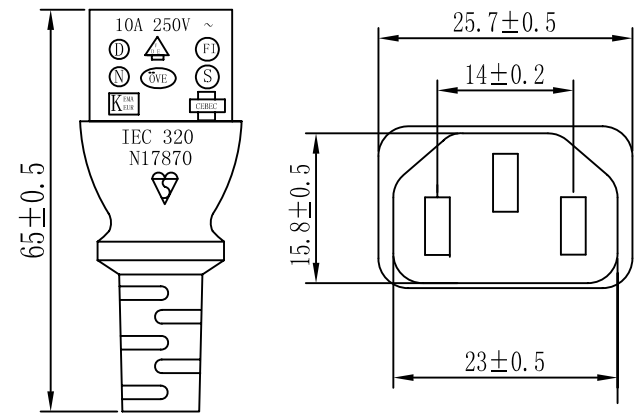


REVISION			
SYM	DESCRIPTION	DATE	APPROVAL

请确认后签回此图纸!



CABLE MARKING: H05VV-F 3G0.75mm² <VDE> N19626 CCC A030116 No.2003010105097406 227 IEC 53(RVV) 300/500V 3X0.75mm² HIGH PROJECT LF
 CABLE COLOR: BLACK

	UNLESS SPECIFIED ALL DIMENSIONS ARE IN MM TOLERANCE ON: FRACTION: DECIMALS: +/-0.10 ANGLE:			SHEET:	1 OF 1	DWG SIZE:	A4	
				SCALE:	N. T. S	ISSUE NO.	A	
	CUSTOMER NAME:		CUST PART NO:	PL13359	DRAWER	Seaman	DATE.	2013-10-11
	CUSTOMER ORDER NO:	---	DRAWING NO:	H11-B-2ALVB-C10	REVIEW		DATE.	
	QTY REQ'D PER UNIT:	1	MODEL NO:	HP-CPC-113	APPROVAL.		DATE.	