

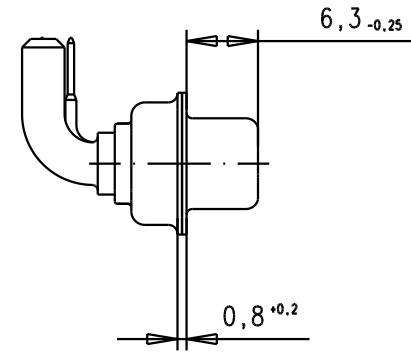
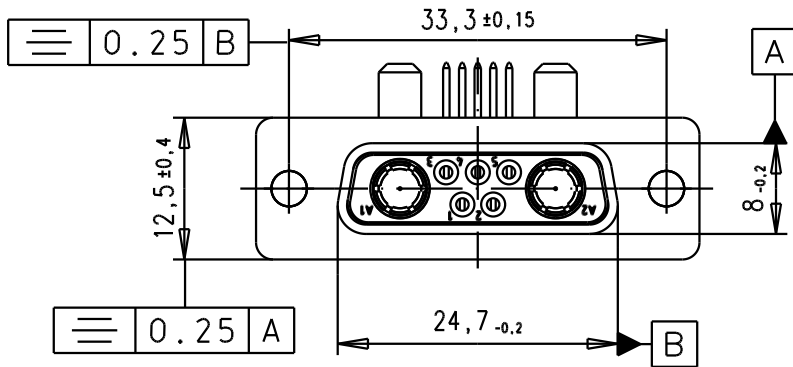
5

4

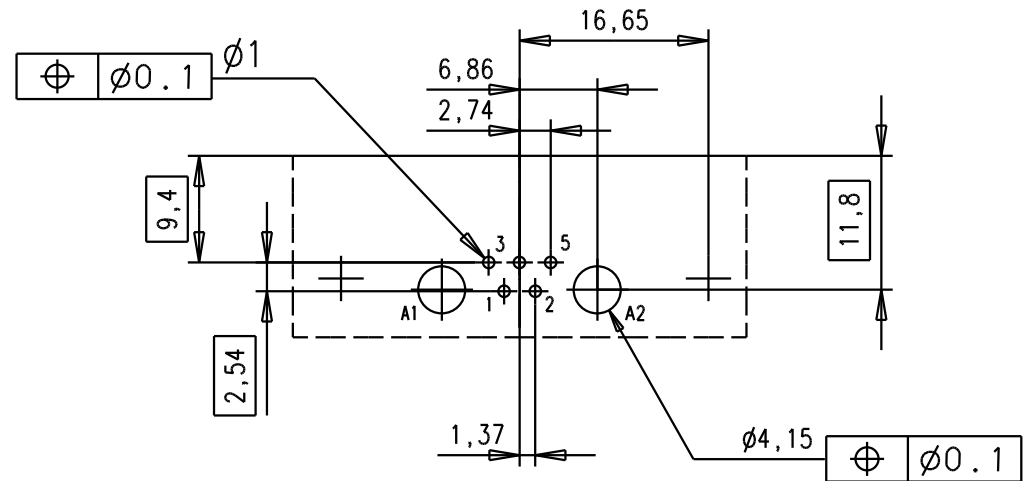
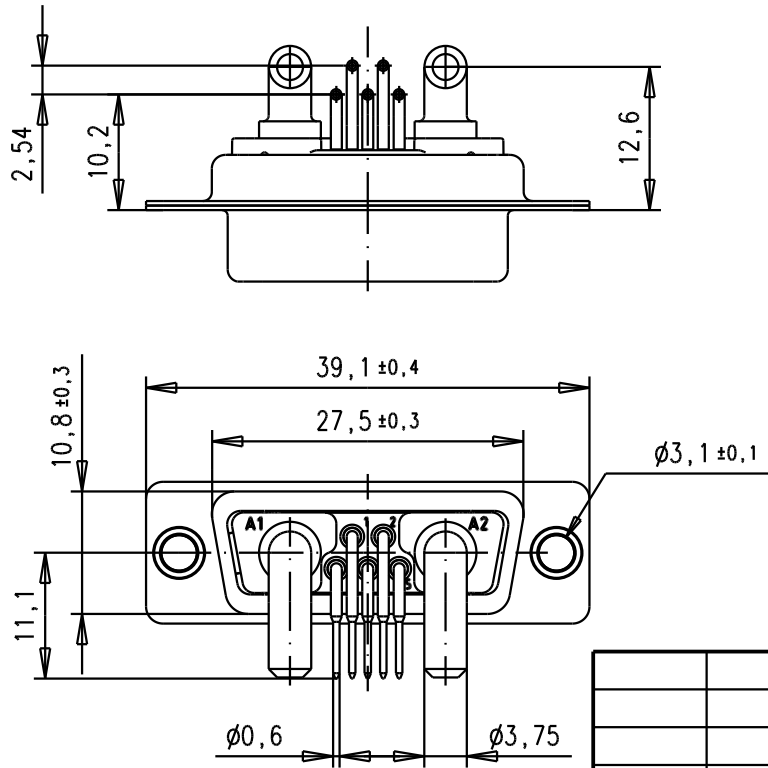
3



2

1



PCB hoe pattern, mounting side



				Dat.	Name	 All Dim. in mm Orig. Size DIN A 4	D-Sub, female, right angle 7W2, 40 Amps, solder pins	Maßstab/ Scale 1.5:1
			Detail.	05-AUG-03	TCP			
			Insp.					
			Stand.					
31531	05-AUG-03	TCP	HARTING EURL F-95972 Paris				TB 09692009050	Blatt/ Page 1 /
Mod.	Dat.	Name	Sub.					