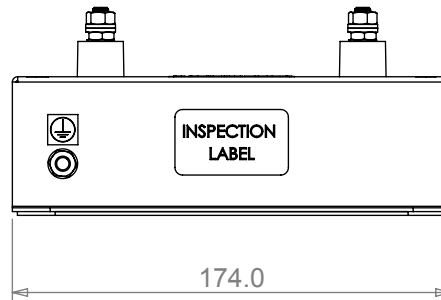
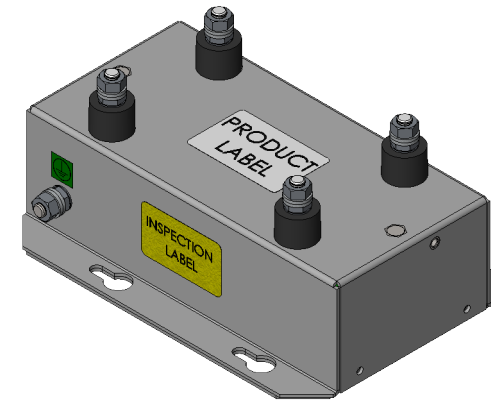
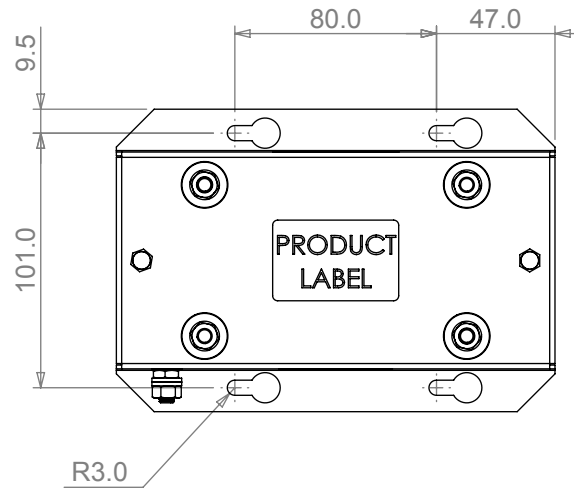


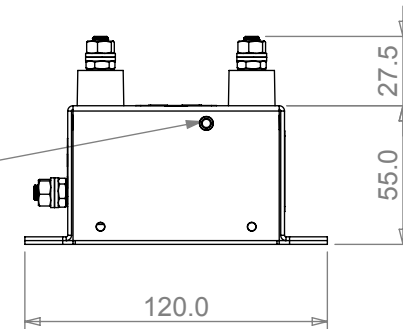
MDF50

AKA

Device rfi filter
 Current 50A 40°C
 Earthing M6x13 stud 4Nm
 Enclosure aluminium 1.5mm
 Loss 5W/ph
 Leakage 110mA operating
 Mass 1.75kg
 Mounting M5x4
 PCB FR4 AVL2 VW-1 600V 105°C IIIa
 Potting resin
 Power 12kW
 Protection IP00
 Resistance 2mR/ph
 Residual 5V 5s
 SCCR 5kA
 Style Stud filter
 Terminal stud M6 4Nm
 Varistor n/a
 Voltage 1P 250V 50/60Hz
 Volts IT
 Withstand 2100Vdc 60s
 Altitude 2000m w/out derating
 Bonding 25A 50/60Hz
 Class class I
 Environment -25/+85/21
 Flammability UL94 V-2 min
 Humidity 93% RH non-condensing
 Insulation 500Vdc ?3.5MR
 Material group IIIB
 MTBF 22yrs (MIL-HDBK-217F)
 Overload 135% 2hrs 150% 60s
 Overvoltage category II
 Packaging ASTM D7386
 Pollution degree II
 Shock 15g 11ms
 Spacing ?50mm gap
 Vibration 5-55Hz 350um 55-500Hz 2G
 EU CE EN60939
 US uR UL1283
 CAN cUR CSA22.2
 OTHER



FIXING FOR SURGE ARRESTER (VSU2W)



Tel No. +44(0)1724 273200
Website www.dem-uk.com

PROPRIETARY AND CONFIDENTIAL:

THE INFORMATION CONTAINED IN THIS DRAWING IS THE SOLE PROPERTY OF ALPHA 3 MANUFACTURING. ANY REPRODUCTION IN PART OR AS A WHOLE WITHOUT THE WRITTEN PERMISSION OF ALPHA 3 MANUFACTURING IS PROHIBITED.

UNLESS OTHERWISE SPECIFIED DIMENSIONS ARE IN MILLIMETRES
LINEAR & RADIAL TOLERANCE:
NO DECIMAL PLACES ±0.5mm
1 DECIMAL PLACE ±0.25mm
2 DECIMAL PLACES ±0.125mm
ANGULAR TOLERANCE: ±1°

DO NOT SCALE DRAWING

THE FINISHED PRODUCT SHOULD BE CLEAN AND FREE FROM ALL LIQUIDS AND DEBRIS. SURFACES SHOULD BE OF UNIFORM APPEARANCE FREE FROM SHARP EDGES, BURRS AND CORROSION

AUTHOR

DATE

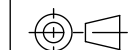
SW

13/04/15

TITLE

SPECIFICATION

THIRD ANGLE PROJECTION



SHEET 1 OF 1

SCALE 1:2

A4

DRAWING NO.

MDF50

ISSUE

04

Release



DEM Manufacturing, Deltron Emcon House, Hargreaves Way, Sawcliffe Ind. Park, Scunthorpe, North Lincolnshire, DN15 8RF, UK

ROXBURGH ELECTRONICS LTD
FILTER INSERTION LOSS CHARACTERISTICS
CISPR 17 - 50 OHM METHOD

MDF50

