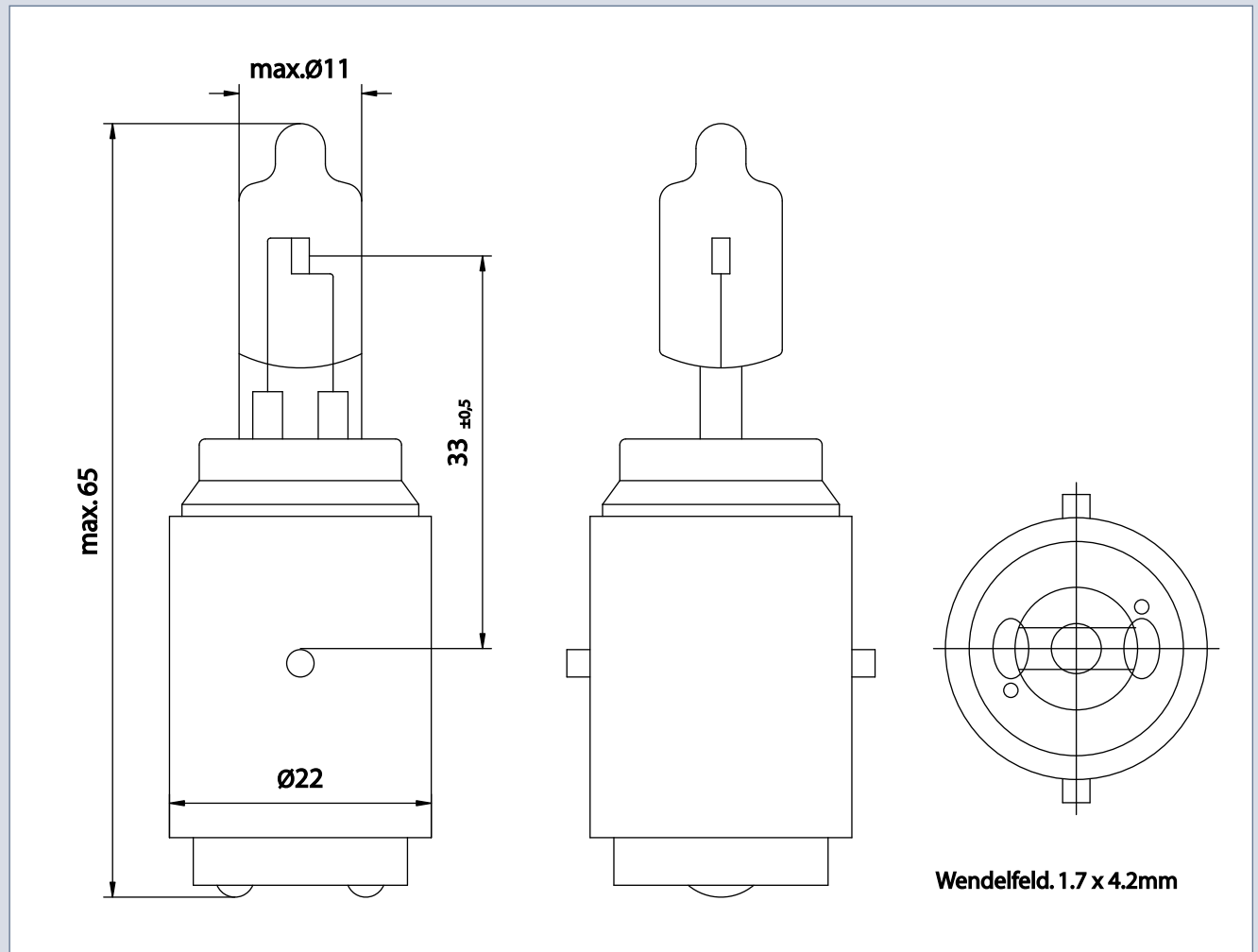


INDUSTRIAL SPECIALTY LIGHTING

Industrial medical - Datasheet



MEDICAL LAMPS - 24V 50W Bx22D HALO 50

PRODUCT NUMBER **302847049** []

Tol.

VOLTAGE	24	V
WATTAGE	50	W
LUMEN OUTPUT	1100	LM
LUMEN PRO WATT	22	LM/W
AVERAGE LIFE	700	H
BASE	Bx22D	/
REMARKS	H016678 HAL. UPGRADE	
BRAND	DR. FISCHER	

FOR INFORMATIONAL PURPOSES ONLY. SIL INT. BV. DISCLAIMS ALL WARRANTIES WITHOUT LIMITATION. INFORMATION MIGHT BE SUBJECT TO CHANGE.



MEDICAL



ENTERTAINMENT



TRAFFIC



MARINE



RAILWAY



AIRFIELD



VARIOUS



TAILOR MADE



IR / UV



PROJECTION



Special industrial Lighting
Ruysdaelbaan 3F
5642 JJ Eindhoven
The Netherlands

Tel : + 31 40 2868 913
Fax : + 31 40 2868 207
Website: www.sillamps.com
Email : silint@special.nl