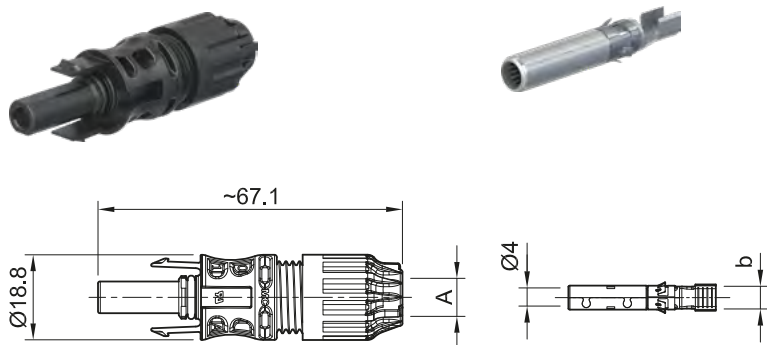


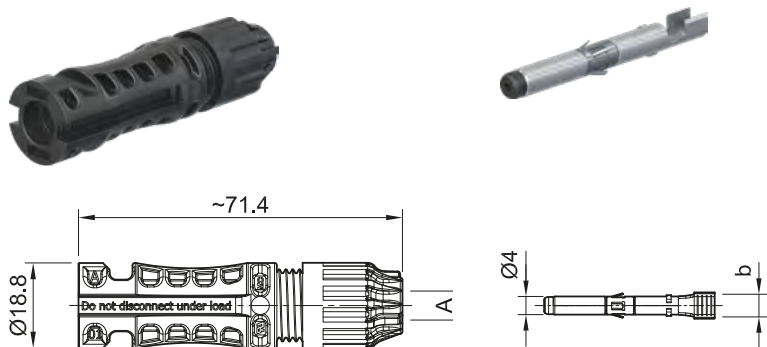
Female and male cable coupler MC4-Evo 2

Female and male cable coupler as individual part (including insulating part)

PV-KBT4-EVO 2A/...



PV-KST4-EVO 2A/...



Sealing caps page 18

Tools pages 18 – 19



Assembly instructions MA298

www.staubli.com/electrical

Internationally certified with IEC, UL, JET, cTÜVus. Approved for DC 1500 V (IEC, JET), DC 1500 V (UL) unrestricted access. MULTILAM Technology, has proven the

quality and durability several 100 million times since 2004. Suited for all climatic environments due to UV resistance, ammonia and high IP class (IP68). Available as a

field and preassembled connector, standard crimping tools can be used. Mating compatibility with MC4 connector family.

Technical data	
Connector system	Ø 4 mm
Ambient temperature range	-40 °C ... +85 °C (IEC/UL)
Transportation/storage temperature range	-30 °C/+60 °C
Transportation/storage relative humidity	< 70 %
Upper limiting temperature	115 °C (IEC)
Degree of protection, mated	IP65/IP68 (1 m, 1 h)
Degree of protection, unmated	IP2X
Overvoltage category/Pollution degree	CAT III/3
Contact resistance of plug connectors	< 0.2 mΩ
Locking system	Locking type
Safety class (IEC)	II
Contact system	MULTILAM
Type of termination	Crimping
Warning	Do not disconnect under load
Contact material	Copper, tin plated
Insulation material	PA
Flame class	UL94-V0
Ammonia resistance (TÜV Rheinland certified acc. to 2 PFG 1911/03.2011)	Q60139020-0001
TÜV-Rheinland certified according to IEC 62852:2014+Amd.1:2020	R 60127169
UL recognized component in accordance with UL6703	E343181
Maximum altitude above sea level for operation	5000 m
Temperature Level according to IEC TS 63126	Level 2

Female and male cable coupler MC4-Evo 2

Female and male cable coupler as individual part (including insulating part)

Order No.	Type	Socket	Plug	Outer diameter of cable	Width of crimp opening	IEC 62852			UL 6703			Approvals	
						mm ²	DC V	A	AWG	DC V	A	TÜV Rheinland	UR
32.0310P0001	PV-KBT4-EVO 2A/2.5I	x		4.7-6.4	4	2.5	1500	39				x	x
									14	1500	30		
32.0311P0001	PV-KST4-EVO 2A/2.5I		x	4.7-6.4	4	2.5	1500	39				x	x
									14	1500	30		
32.0312P0001	PV-KBT4-EVO 2A/2.5X	x		6.1-7.3	4	2.5	1500	39				x	x
									14	1500	30		
32.0313P0001	PV-KST4-EVO 2A/2.5X		x	6.1-7.3	4	2.5	1500	39				x	x
									14	1500	30		
32.0314P0001	PV-KBT4-EVO 2A/2.5II	x		6.4-8.4	4	2.5	1500	39				x	x
									14	1500	30		
32.0315P0001	PV-KST4-EVO 2A/2.5II		x	6.4-8.4	4	2.5	1500	39				x	x
									14	1500	30		
32.0316P0001	PV-KBT4-EVO 2A/6I	x		4.7-6.4	5.8	4	1500	45				x	x
						6	1500	53					
									12	1500	35		
									10	1500	50		
32.0317P0001	PV-KST4-EVO 2A/6I		x	4.7-6.4	5.8	4	1500	45				x	x
						6	1500	53					
									12	1500	35		
									10	1500	50		
32.0318P0001	PV-KBT4-EVO 2A/6X	x		6.1-7.3	5.8	4	1500	45				x	x
						6	1500	53					
									12	1500	35		
									10	1500	50		
32.0319P0001	PV-KST4-EVO 2A/6X		x	6.1-7.3	5.8	4	1500	45				x	x
						6	1500	53					
									12	1500	35		
									10	1500	50		

Note:

For detailed information concerning the suitable cable gland range, please consult MA298.

Order No.	Type	Socket	Plug	Outer diameter of cable	Width of crimp opening	IEC 62852			UL 6703			Approvals	
						mm ²	DC V	A	AWG	DC V	A	TÜV Rheinland	UR
32.0320P0001	PV-KBT4-EVO 2A/6II	x		6.4-8.4	5.8	4	1500	45				x	x
						6	1500	53					
									12	1500	35		
									10	1500	50		
32.0321P0001	PV-KST4-EVO 2A/6II		x	6.4-8.4	5.8	4	1500	45				x	x
						6	1500	53					
									12	1500	35		
									10	1500	50		
32.0322P0001	PV-KBT4-EVO 2A/10X	x		6.1-7.3	6.5	10	1500	69				x	x
									8	1500	70		
32.0323P0001	PV-KST4-EVO 2A/10X		x	6.1-7.3	6.5	10	1500	69				x	x
									8	1500	70		
32.0324P0001	PV-KBT4-EVO 2A/10II	x		6.4-8.4	6.5	10	1500	69				x	x
									8	1500	70		
32.0325P0001	PV-KST4-EVO 2A/10II		x	6.4-8.4	6.5	10	1500	69				x	x
									8	1500	70		