

Content

- 1. General
- 2. Electrical and acoustical specification
- 3. Drawing
- 4. Test conditions
- 5. Recommended reflow
- 6. Packaging



1. General

Operating temperature:	-40°C to +85°C	component weight [g]:	0,6
Storage temperature:	-40°C to +85°C		
Contact:	SMD	housing color:	black
Packageing:	tor	IP rating:	
ESD conform	<input checked="" type="checkbox"/>		
RoHs conform:	yes		
Remark:			

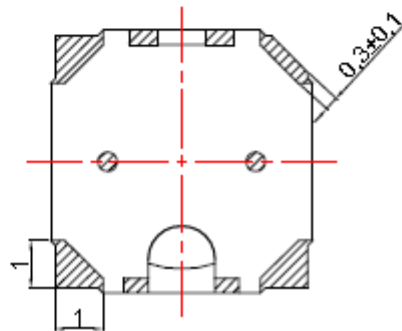
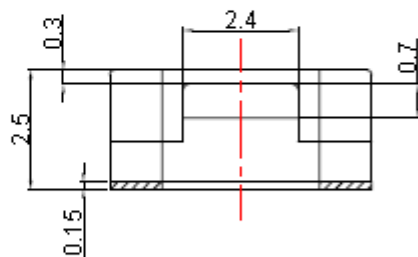
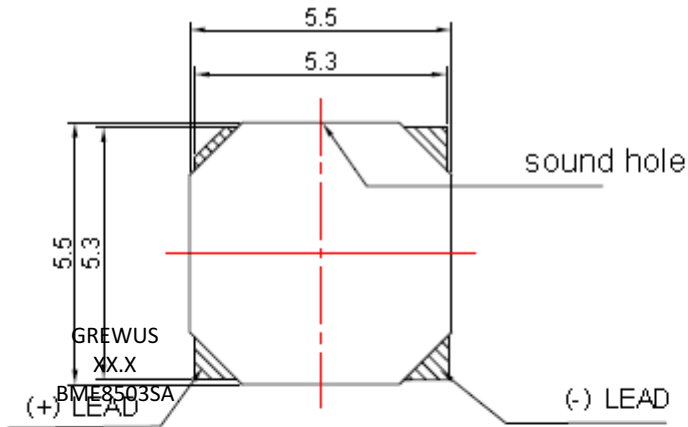
2. Electrical and acoustical specification

Description	Condition	Value
Rated voltage [Vop]		3
operating voltage [Vop]		2.5 - 4.5
Resonance frequency [Hz]		3100
Rated current [mA]		max 120
Coil resistance [Ω]		10 ± 1.5
SPL [dBA]	value applying at rated voltage in 5 cm distance, 50% duty cycle square wave	min 87dB

Transmittal, reproduction, dissemination and / or editing of this document as well as utilization of its contents and communication thereof to others without express authorization are prohibited. Offenders will be held liable for payment of damages. All rights created by patent grant or registration of a utility model or design patent are reserved.

GREWUS		dimensions without tolerance: ± 0.2	scale:	
Designed by: Ralf Hinnerichs	19.12.2013	part number: BME0603SB	index:	Last update:
Released by: Ralf Hinnerichs	19.12.2013		B	19.12.2013
drawing number: 416276052		Buzzer	Page 1 of 4	

3. Drawing

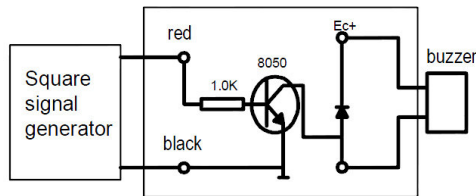


Unit:mm Tolerance:±0.2

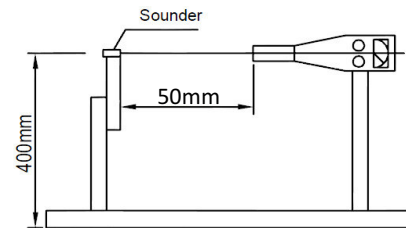
GREWUS			Dimensions without tolerance ± 0.3	Scale	
Designed by	Hinnerichs	19.12.2013	Part number BME8503SA	Index	Date
Released by	Hinnerichs	19.12.2013		A	19.12.2013
Drawing number 416276052				Page	2 of 4

4. Test conditions

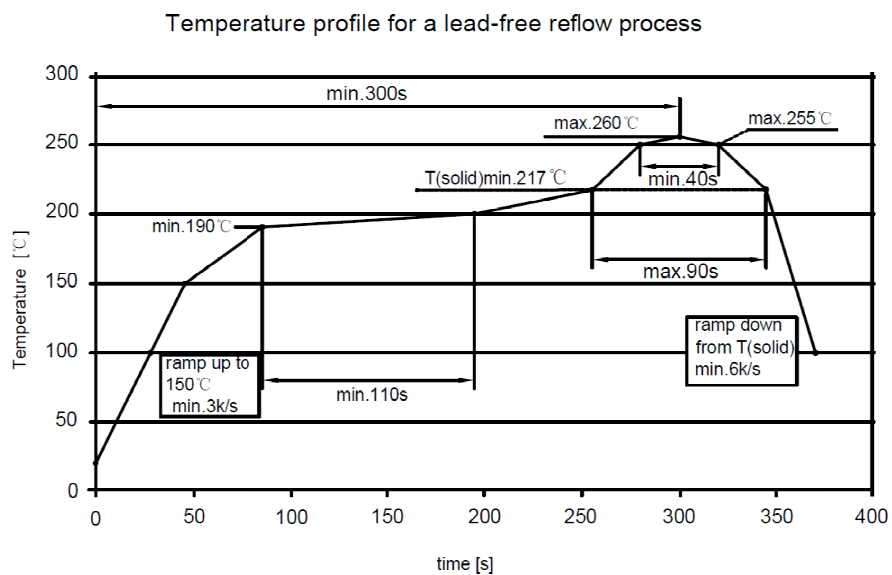
Test circuit



Test assembly

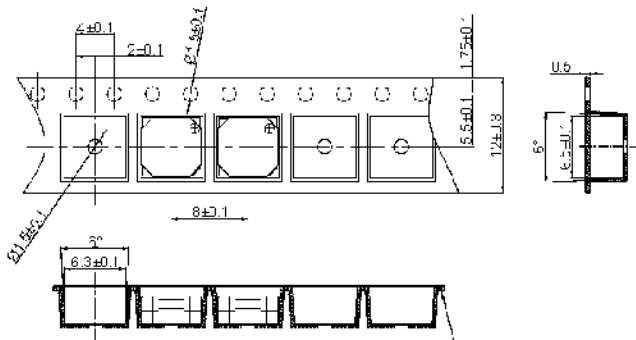


5. Recommended reflow conditions

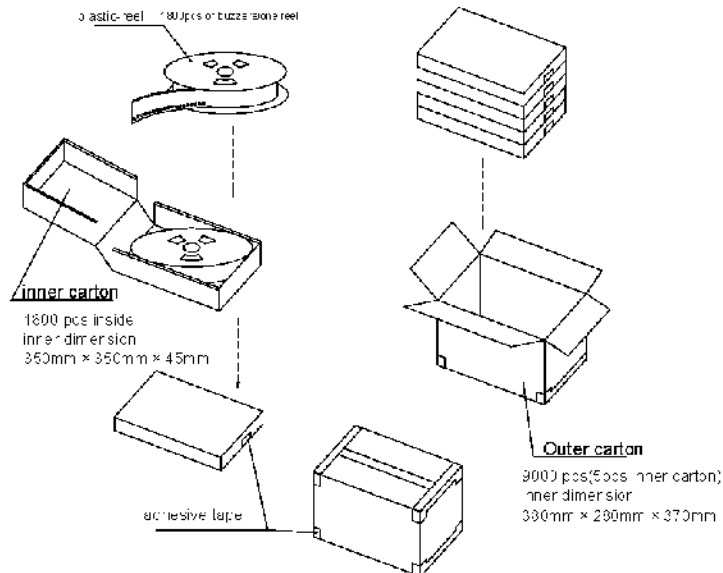
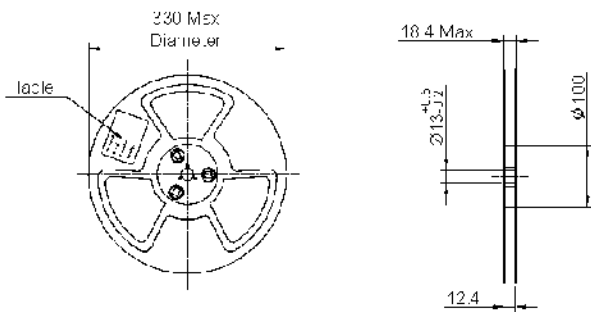


GREWUS			Dimensions without tolerance ± 0.3		Scale	
Designed by	Hinnerichs	19.12.2013	Part number BME8503SA		Index	Date
Released by	Hinnerichs	19.12.2013			A	19.12.2013
Drawing number 416276052					Page	3 of 4

6. Packaging



The cover film pie strength force 0.1-0.7N
 The cover film pie speed 300mm/min.



1800pcs/reel
 5reels/carton
 9000 pcs/carton in total
 carton size 38x28x37cm
 12carton/tray
 tray size 85x77x74cm

GREWUS			Dimensions without tolerance ± 0.3	Scale	
Designed by	Hinnerichs	19.12.2013	Part number BME8503SA	Index	Date
Released by	Hinnerichs	19.12.2013		A	19.12.2013
Drawing number	416276052			Page	4 of 4