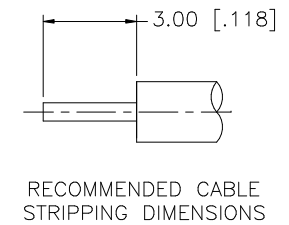
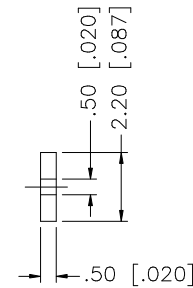
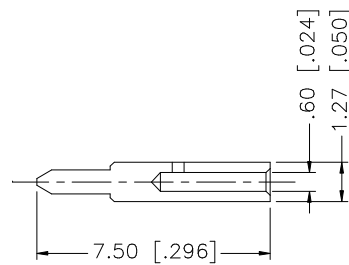
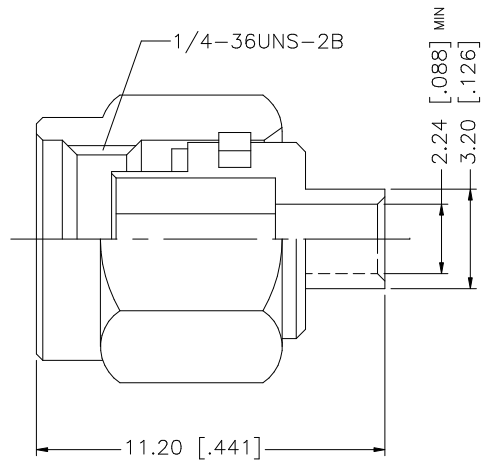


| REV. | DATE     | DESCRIPTION                               |
|------|----------|-------------------------------------------|
| A    | 01/09/98 | ADD CONTACT PIN/ CHANGE I.D./ REDIMENSION |
| B    | 01/26/02 | ADD CROSS SECTION OF BODY                 |
| C    | 07/22/02 | INCREASE BODY LENGTH TO 11.20             |
| D    | 05/14/03 | UPDATE DRAWING FORMAT                     |



|   |             |          |         |     |                                                                                                                                        |                               |        |                                                                     |  |  |  |
|---|-------------|----------|---------|-----|----------------------------------------------------------------------------------------------------------------------------------------|-------------------------------|--------|---------------------------------------------------------------------|--|--|--|
| 8 |             |          |         |     | UNLESS OTHERWISE SPECIFIED DIMENSIONS ARE IN MILLIMETERS. DIMENSIONS IN [ ] ARE IN INCHES AND FOR CUSTOMER REFERENCE ONLY.             | APPROVALS                     | DATE   | <b>Amphenol Connex</b>                                              |  |  |  |
| 7 |             |          |         |     |                                                                                                                                        | DRAWN                         | G.R.S. |                                                                     |  |  |  |
| 6 |             |          |         |     | UNLESS OTHERWISE SPECIFIED TOLERANCES FOR MILLIMETERS ARE:<br>0.5 - 8mm ± 0.20mm<br>8 - 30mm ± 0.40mm<br>30 - 120mm ± 0.50mm           | CHECKED                       |        | PART DESCRIPTION<br>SMA SEMI-RIGID PLUG<br>(FOR .085", .086" CABLE) |  |  |  |
| 5 |             |          |         |     |                                                                                                                                        | ISSUED                        |        |                                                                     |  |  |  |
| 4 | GASKET      | SILICONE | RED     | 1   | UNLESS OTHERWISE SPECIFIED TOLERANCES FOR INCHES ARE:<br>.020 - .315 = ± 0.007"<br>.315 - 1.180 = ± 0.015"<br>1.180 - 4.724 = ± 0.020" | SHEET                         | 1 OF 1 | PART NO.<br>132101                                                  |  |  |  |
| 3 | CONTACT PIN | BRASS    | GOLD    | 1   |                                                                                                                                        |                               |        |                                                                     |  |  |  |
| 2 | INSULATOR   | TEFLON   | NATURAL | 1   |                                                                                                                                        |                               |        |                                                                     |  |  |  |
| 1 | BODY        | BRASS    | GOLD    | 1   |                                                                                                                                        |                               |        | DWG. NO. 132101.DWG    REV. NC    SIZE A    SCALE NA                |  |  |  |
|   | DESCRIPTION | MATERIAL | FINISH  | QTY | DO NOT SCALE DRAWING                                                                                                                   | CAD FILE<br>C:/132/132101.DWG |        |                                                                     |  |  |  |