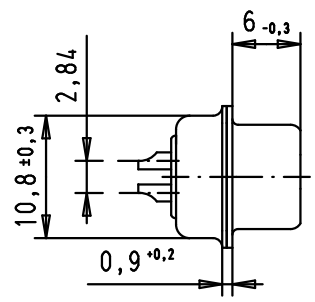
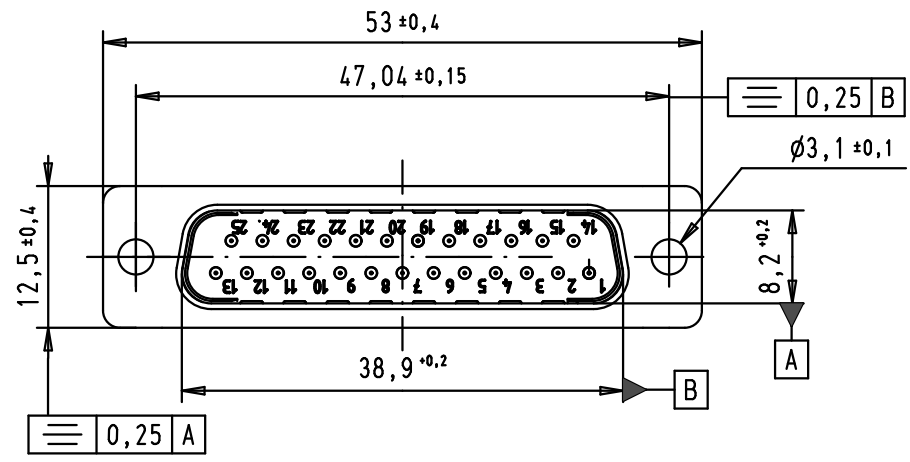


5 4 3 2 1

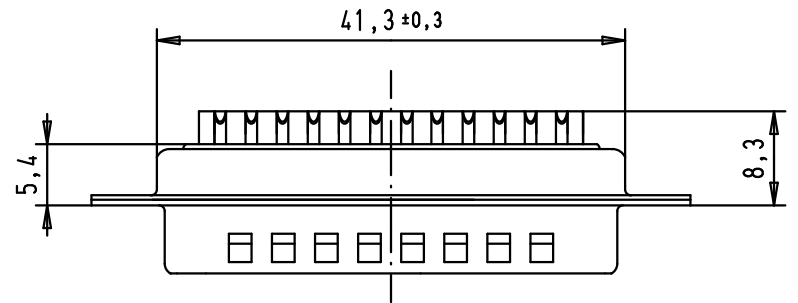
SPECIFICATION

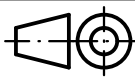

Performance level PL2
 Filter type C
 Capacitance 3900pf±20%
 Working Voltage 100v
 Current Rating 7.5A
 Insulation Resistance >1GΩ

FREQUENCY (MHz)	ATTENUATION (dB)
5	6dB
10	11dB
50	25dB
100	35dB
500	35dB
1000	32dB



Solder buckets for AWG 20



						 All Dim. in mm Orig. Size DIN A 4	D-Sub, male, Straight 25 Poles, turned solder buckets, with dimples and holes	Ma?Mstab/ Scale 1.5:1
			Detail.	8-JUL-02	CV			
			Insp.	12/01/12	JB			
36283	12/01/12	SD	Stand.					
33423	06/02/06	JMDR						
31058	8-JUL-02	CV						
Mod.	Dat.	Name	HARTING EURL F-95972 Paris				TB 09643217240	Blatt/ Page 1 / 1

D
C
B
A