

ABS-268-RC 8Ω 80HM DYNAMIC 8mm

SPEAKERS

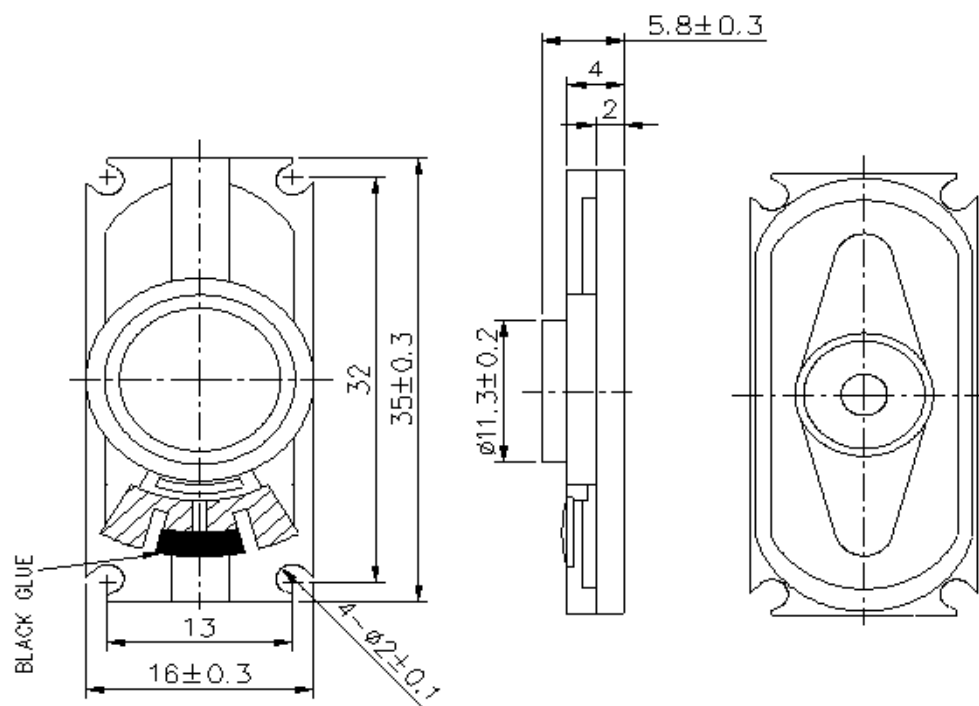
Specifications

| | ABS-268-RC |
|---|-----------------------|
| Rated impedance | 8±15%Ω@1KHz |
| Rated input power | FW |
| Max. input power | GW |
| Resonant frequency F ₀ | 670±20% Hz/1V |
| Frequency range | F0Hz-20,000Hz |
| Sound pressure level at (AVG 0.6, 0.8, 1.0, 1.2)KHz 1W/0.5m | 83±3dB |
| Total harmonic distortion | 10%MAX. at 1KHz, 1.0W |
| Voice coil diameter | dia. 8.75mm |
| Flux density | 0.6T |
| Magnet (NdFeB) | dia. 8.0x2.0mm |
| Operating temperature | -20~+60°C |
| Storage temperature | -20~+60°C |
| Weight | 7.5g |

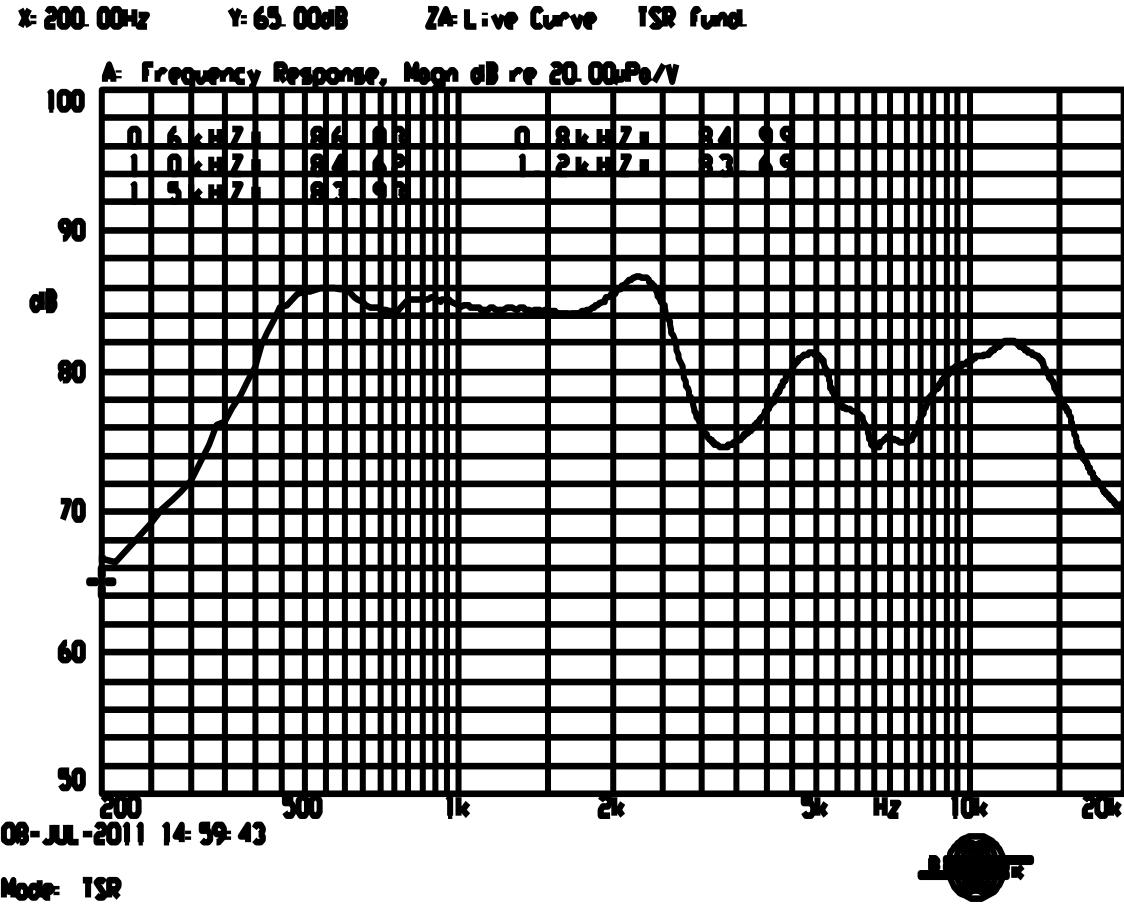
Material

Frame - Black PBT
 Yoke - SPCC
 Diaphragm - Cloth
 Voice coil - Paper + Cu

Plate - SPCC
 Magnet - NdFeB
 Dust Cap - Paper



ABS-268-RC 35x16x5.8mm 8OHM DYNAMIC SPEAKER - Frequency Response Curve SPEAKERS



Alan Butcher Components

Alan Butcher Components Ltd
 Unit 1 Beechwood Clump Farm Industrial Estate Tin Pot Lane Blandford Dorset DT11 7TD
 Telephone 01258 456360 Email sales@abcomponents.co.uk
www.abcomponents.co.uk