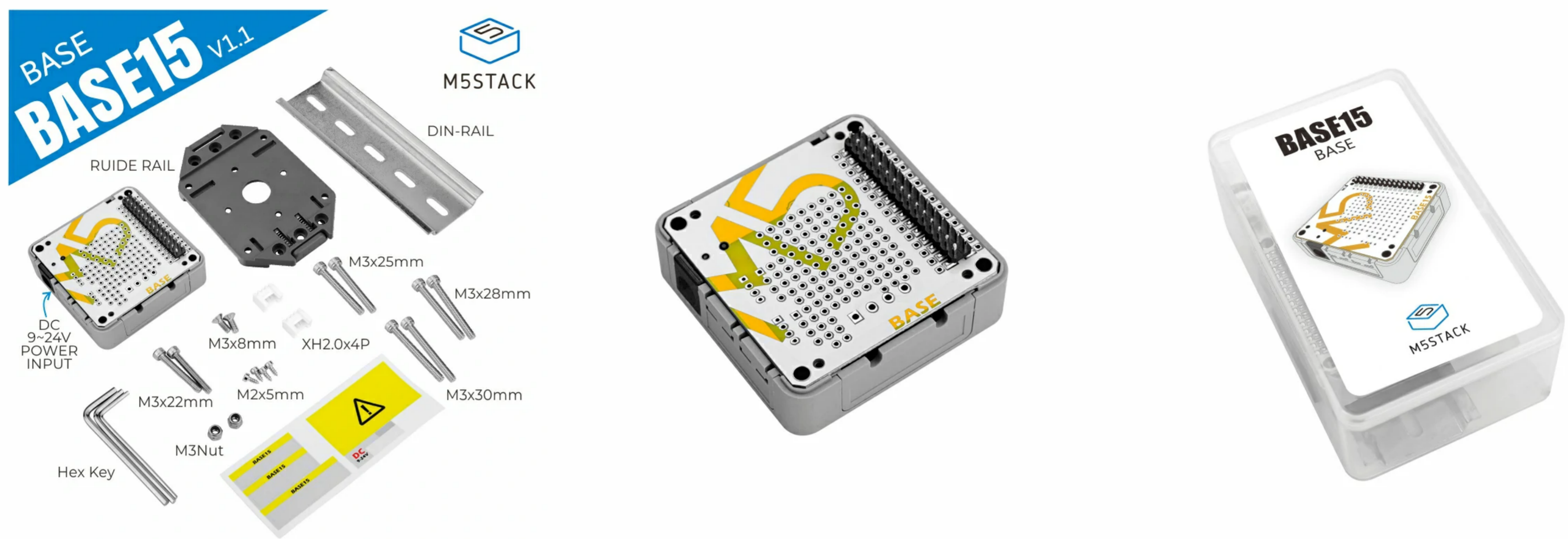


Base15 V1.1

SKU:K025-B



Description

Base15 V1.1 is a "5x5cm system" universal functional base, the thickness of the product is 15mm (excluding the busbar pin header), including 9~24V to 5V DCDC circuit and 2 custom Grove expansion ports, as well as the PCB center 2.54mm spacing hole board area, users can independently add circuit functions. A variety of fixing methods are reserved in the structure, supporting DIN rail, wall mounting, screw fixing, and bottom M12 connector fixing. This product is mainly used for customers to customize the function base. (Customers can contact the official deep customization)

Features

- Built-in 9-24V to 5V DCDC circuit
- Rails, wall mounting, screws and M12 fastening
- 2.54MM HOLE PLATE
- Includes 2 Grove expansion ports
- Custom add circuits

Includes

- 1x Base15 V1.1 Proto Board
- 1x Base15 V1.1 base case
- 2x HY2.0-4P terminal

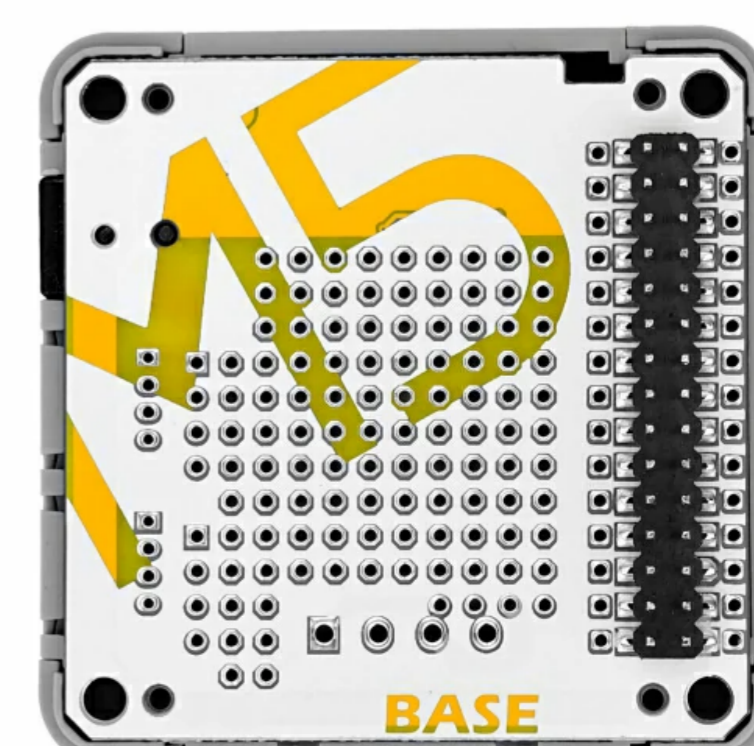
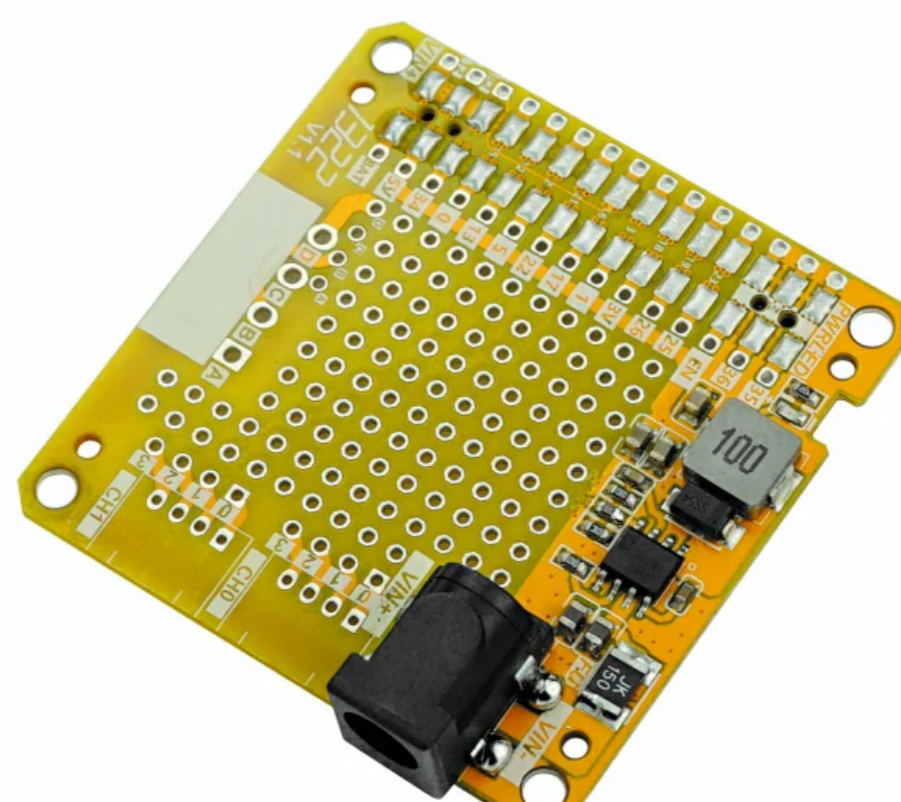
- 1x 1.5mm hex key
- 1x 2.0mm hex key
- 1x 2.5mm hex key
- 1x 35mm silver metal rail
- 1x 35mm black rail clip
- 2x M3*8mm screws (countersunk head, mechanical teeth)
- 2x M3*22mm screws (cup head, mechanical teeth)
- 2x M3*25mm screws (cup head, mechanical teeth)
- 2x M3*28mm screws (cup head, mechanical teeth)
- 2x M3*30mm screws (cup head, mechanical teeth)
- 4x M2*5mm screws (cup head, self-tapping)
- 2x M3 nuts (with anti-skid rubber ring)
- 1x product sticker

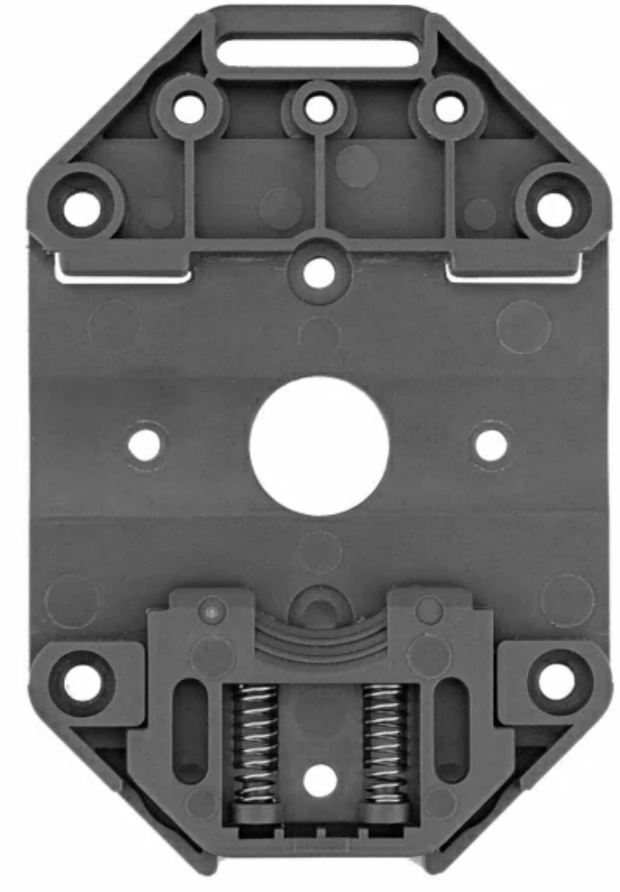
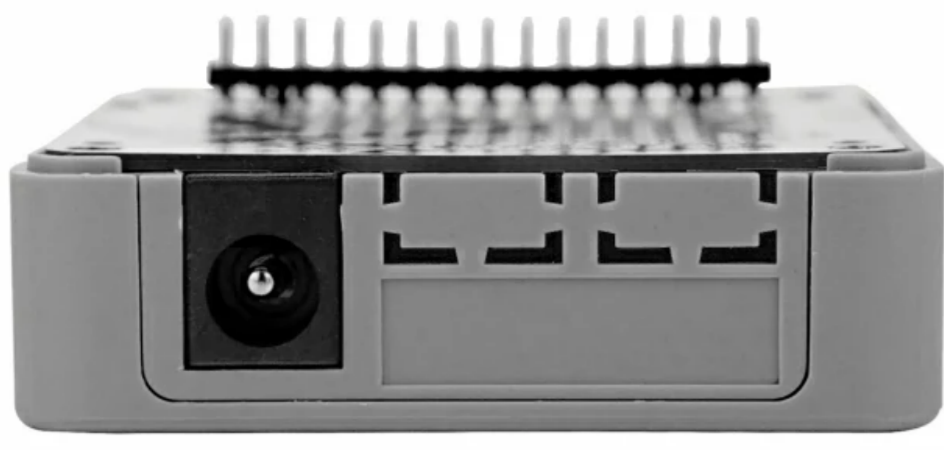
Applications

- DIY as needed functions

Specification

Resources	Parameters
DC-DC Convertor chip	MP1584
Wide Input Range	9-24V
Continuous Output Current	2A
Output Voltage	5V
Product Size	54mm × 54mm × 28mm
Package Size	105mm × 65mm × 40mm
Product Weight	27.1g
Package Weight	133.7g





Related Link

- MP1584

Schematic

