

FOR COUNTERPART DIMENSIONS  
SEE SHEET 2

GREY	G.F. PA 6 6	282079-3
BLACK	G.F. PA 6 6	282079-2
FINITURA / COLORE (FINISH / COLOUR)	MATERIALE (MATERIAL)	NUMERO (PART NUMBER)

CUSTOMER DWG. FOR REFERENCE ONLY      DISEGNO PER CLIENTE SOLO PER RIFERIMENTO

THIS DRAWING IS UNPUBLISHED      RELEASE FOR PUBLICATION      19

© COPYRIGHT 1990 BY AMP INCORPORATED, HARRISBURG, PA. ALL INTERNATIONAL RIGHTS RESERVED. AMP PRODUCTS MAY BE COVERED BY U.S. AND FOREIGN PATENT AND/OR PATENT PENDING

REV.	REVISIONI (REVISION RECORD)	DIS. (COR)	DATA (DATE)
2	UP-DATED	C.B.	7/90
3	UP-DATED	C.B.	7/90
4	ADDED PN ...-3	C.B.	8/92
5	UP-DATED	C.B.	10/92
6	UP-DATED (EC 0182-93)	C.B.	11/93
A	SEE SHEET 2 OF 3	C.B.	29-4/94
A1	UP-DATED (ET00-0342-92)	C.B.	9/96
B	ADDED DIM. 1.8 ± 0.2	C.B.	18-11/96
C	UP-DATED (ET00-0490-97)	C.B.	10-11/97

TOLLERANZE, SE NON DIVERSAMENTE SPECIFICATO	DIAM. ISOLANTE (INS. DIA. RANGE)	RANGO FILO (WIRE RANGE)	SCALA (SCALE)
± 0.3	-	-	-

ANGOLI (ANGLES) ± 2°

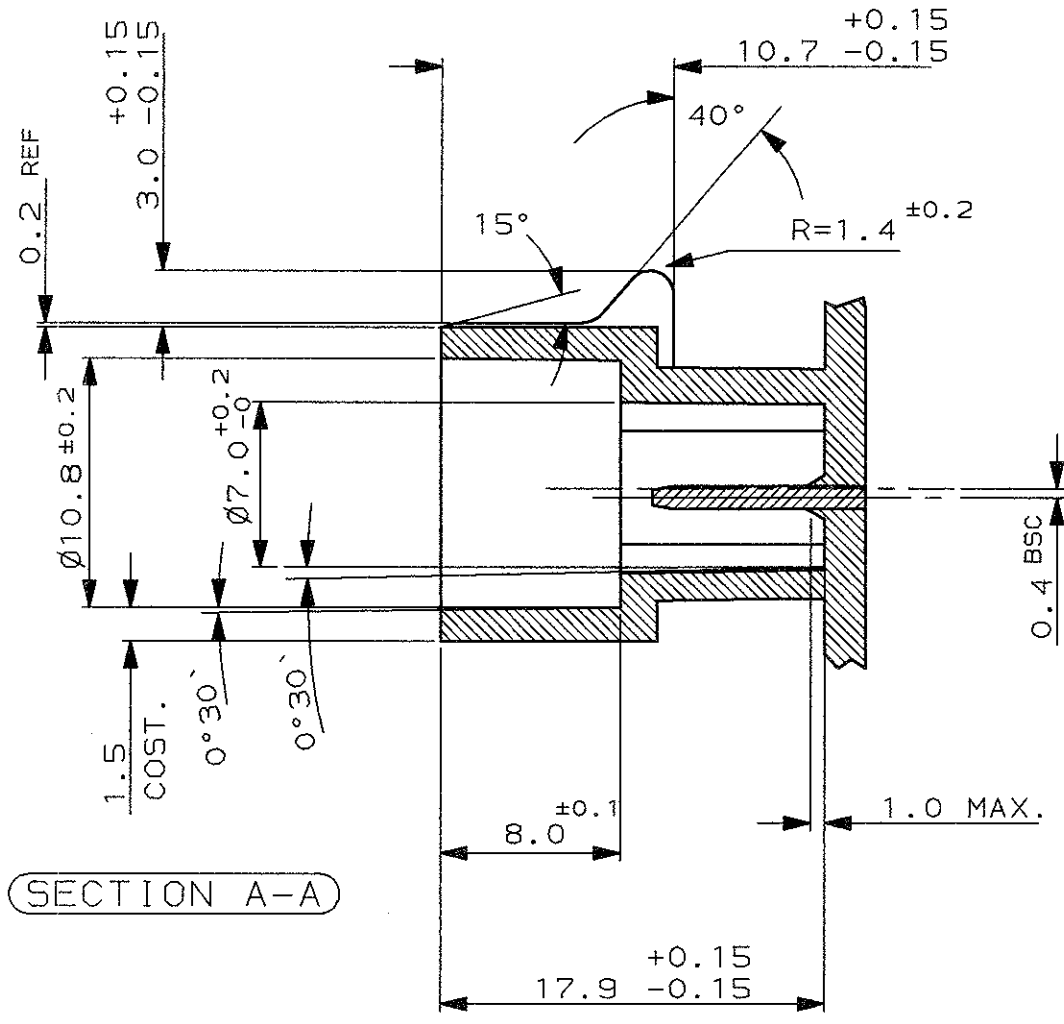
DIS. C. BERTINI (OR.) 7-90  
CONT. A. BRUNI (CHK) 7-90

DESCRIZIONE (DESCRIPTION)	LOC. SIZE	NUMERO (DWG NO)	REV.	FOGLIO (SHEET)
1 POS. PLUG. ASS'Y AMP SUPERSEAL 1.5 SERIES CONNECTORS	I A3	C-282079	C	1 DI (OF) 2

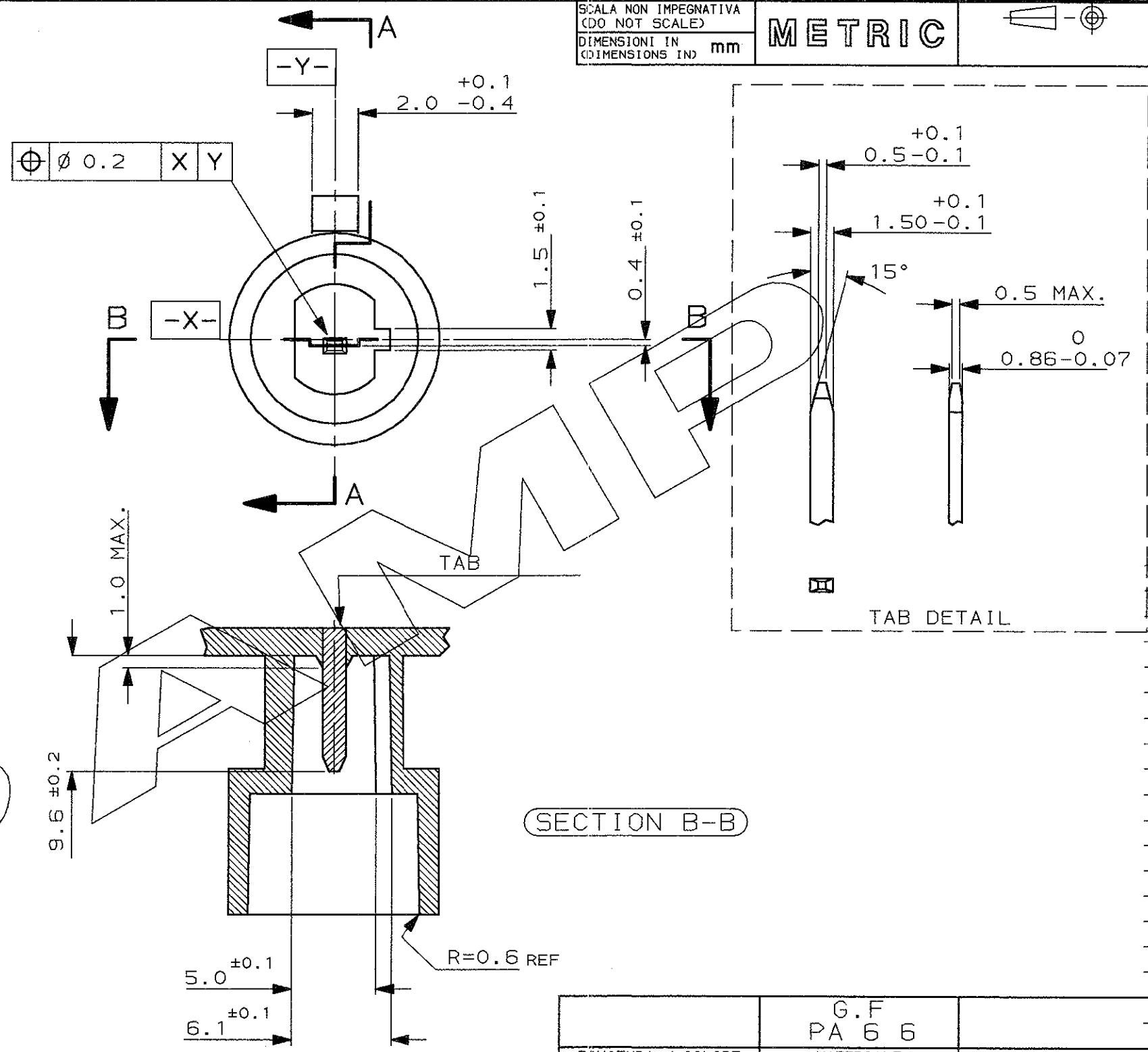
DISTRIBUZIONE (PRINT DIST.)

SCALA NON IMPEGNATIVA  
(DO NOT SCALE)  
DIMENSIONI IN mm  
(DIMENSIONS IN mm)

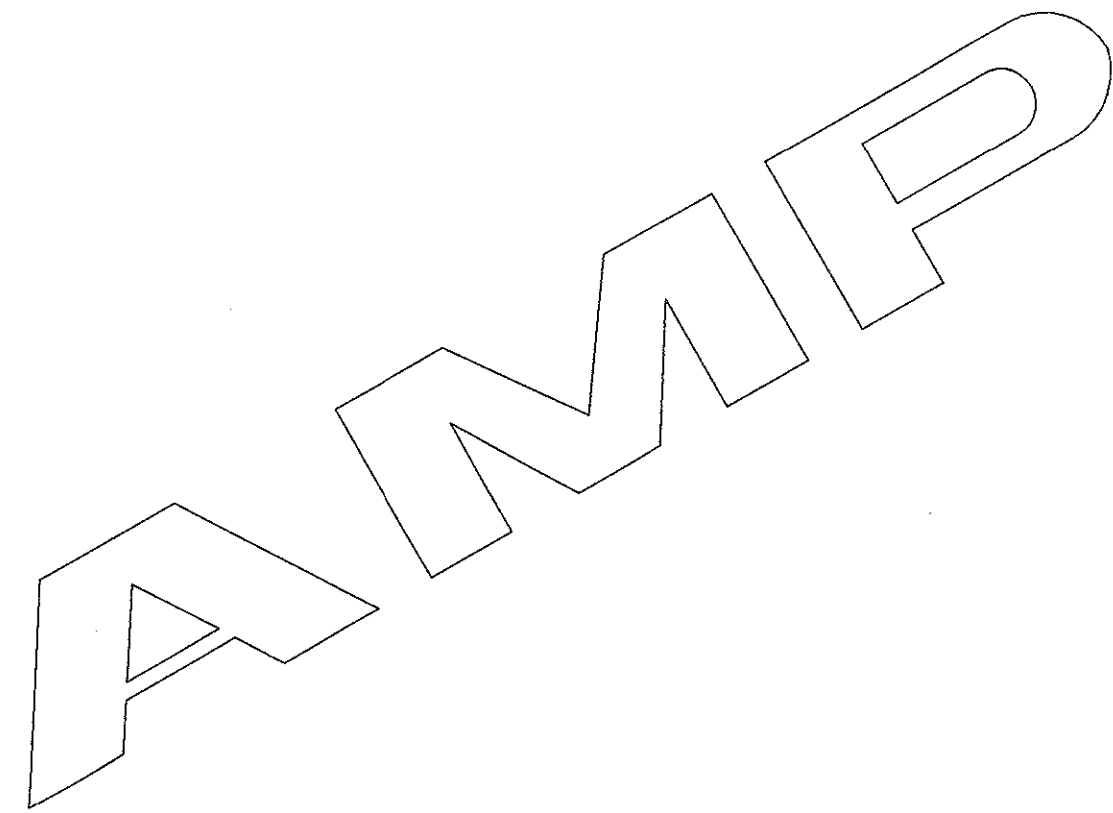
**METRIC**



SECTION A-A



SECTION B-B



G.F PA 6 6		NUMERO (PART NUMBER)	
FINITURA / COLORE (FINISH / COLOUR)		MATERIALE (MATERIAL)	
CUSTOMER DWG. FOR REFERENCE ONLY		DISEGNO PER CLIENTE SOLO PER RIFERIMENTO	
THIS DRAWING IS UNPUBLISHED		RELEASE FOR PUBLICATION	
© COPYRIGHT 19 BY AMP INCORPORATED, HARRISBURG, PA. ALL INTERNATIONAL RIGHT RESERVED. AMP PRODUCTS MAY BE COVERED BY U.S. AND FOREIGN PATENT AND/OR PATENT PENDING			
TOLLERANZE, SE NON DIVERSAMENTE SPECIFICATO (TOLERANCES, UNLESS OTHERWISE SPECIFIED)		DIAM. ISOLANTE (INS. DIA. RANGED)	
± 0.3		RANGO FILO (WIRE RANGE)	
ANGOLI (ANG. ES) ± 2°		SCALA (SCALE)	
DIS. C. BERTINI (DR.) 5-92		AMP AMP ITALIA S.p.A. Corso F.lli Cervi, 15 COLLENO (TORINO)	
CONT. (CHK) -		DESCRIZIONE (DESCRIPTION) COUNTERPART FOR	
APP. (APP.) -		ONE POS. REC. HSG. ASS'Y	
REV. (REV.)	REVISIONI (REVISION RECORD)	LOC. (LOC.)	NUMERO (DWG NO)
		I A3	C-282079
		REV. (REV.)	FOGLIO (SHEET)
		-	2

SEE SHEET 1 OF 2

DISTRIBUZIONE  
(PRINT DIST.)