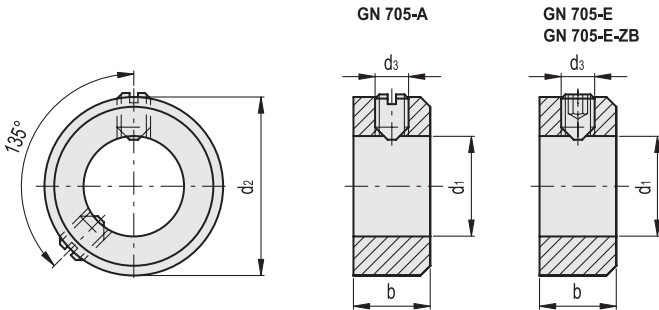


MATERIAL

Black-oxide steel.

STANDARD EXECUTIONS

- **GN 705-A:** assembly by means of grub screw with screwdriver slotted head.
- **GN 705-E:** assembly by means of grub screw with hexagon socket.
- Rings with d1 = 75 and 80 mm are provided with two grub screws.
- **GN 705-E-ZB:** assembly by means of grub screw with hexagon socket.
- Rings with d1 = 80 mm are provided with two grub screws.



GN 705-A

GN 705-E

GN 705-E-ZB

Code	Description	Code	Description	Code	Description	d1 H8	d2	d3	bjs14	⚖
GN.30601	GN 705-5-A	GN.30602	GN 705-5-E	GN.30604	GN 705-5-E-ZB	5	10	M3x4	6	3
GN.30605	GN 705-6-A	GN.30606	GN 705-6-E	GN.30608	GN 705-6-E-ZB	6	12	M4x5	8	6
GN.30611	GN 705-7-A	GN.30612	GN 705-7-E	GN.30614	GN 705-7-E-ZB	7	12	M4x5	8	5
GN.30615	GN 705-8-A	GN.30616	GN 705-8-E	GN.30618	GN 705-8-E-ZB	8	16	M4x6	8	10
GN.30621	GN 705-9-A	GN.30622	GN 705-9-E	GN.30624	GN 705-9-E-ZB	9	18	M5x8	10	15
GN.30625	GN 705-10-A	GN.30626	GN 705-10-E	GN.30628	GN 705-10-E-ZB	10	20	M5x8	10	19
GN.30631	GN 705-11-A	GN.30632	GN 705-11-E	GN.30634	GN 705-11-E-ZB	11	20	M5x8	10	18
GN.30635	GN 705-12-A	GN.30636	GN 705-12-E	GN.30638	GN 705-12-E-ZB	12	22	M6x8	12	26
GN.30641	GN 705-13-A	GN.30642	GN 705-13-E	GN.30644	GN 705-13-E-ZB	13	22	M6x8	12	26
GN.30645	GN 705-14-A	GN.30646	GN 705-14-E	GN.30648	GN 705-14-E-ZB	14	25	M6x8	12	32
GN.30651	GN 705-15-A	GN.30652	GN 705-15-E	GN.30654	GN 705-15-E-ZB	15	25	M6x8	12	30
GN.30655	GN 705-16-A	GN.30656	GN 705-16-E	GN.30658	GN 705-16-E-ZB	16	28	M6x8	12	39
GN.30661	GN 705-18-A	GN.30662	GN 705-18-E	GN.30664	GN 705-18-E-ZB	18	32	M6x8	14	60
GN.30665	GN 705-20-A	GN.30666	GN 705-20-E	GN.30668	GN 705-20-E-ZB	20	32	M6x8	14	53
GN.30671	GN 705-22-A	GN.30672	GN 705-22-E	GN.30674	GN 705-22-E-ZB	22	36	M6x10	14	69
GN.30675	GN 705-24-A	GN.30676	GN 705-24-E	GN.30678	GN 705-24-E-ZB	24	40	M8x10	16	100
GN.30681	GN 705-25-A	GN.30682	GN 705-25-E	GN.30684	GN 705-25-E-ZB	25	40	M8x10	16	96
GN.30685	GN 705-26-A	GN.30686	GN 705-26-E	GN.30688	GN 705-26-E-ZB	26	40	M8x10	16	91
GN.30691	GN 705-28-A	GN.30692	GN 705-28-E	GN.30694	GN 705-28-E-ZB	28	45	M8x12	16	123
GN.30695	GN 705-30-A	GN.30696	GN 705-30-E	GN.30698	GN 705-30-E-ZB	30	45	M8x10	16	111
GN.30701	GN 705-32-A	GN.30702	GN 705-32-E	GN.30704	GN 705-32-E-ZB	32	50	M8x12	16	145
GN.30705	GN 705-34-A	GN.30706	GN 705-34-E	-	-	34	50	M8x12	16	132
GN.30711	GN 705-35-A	GN.30712	GN 705-35-E	GN.30714	GN 705-35-E-ZB	35	56	M8x12	16	187
GN.30715	GN 705-36-A	GN.30716	GN 705-36-E	-	-	36	56	M8x12	16	180
GN.30721	GN 705-38-A	GN.30722	GN 705-38-E	-	-	38	56	M8x12	16	166
GN.30725	GN 705-40-A	GN.30726	GN 705-40-E	GN.30728	GN 705-40-E-ZB	40	63	M10x16	18	261
GN.30731	GN 705-42-A	GN.30732	GN 705-42-E	-	-	42	63	M10x16	18	244
GN.30735	GN 705-45-A	GN.30736	GN 705-45-E	GN.30738	GN 705-45-E-ZB	45	70	M10x16	18	317
GN.30741	GN 705-48-A	GN.30742	GN 705-48-E	-	-	48	70	M10x16	18	287
GN.30745	GN 705-50-A	GN.30746	GN 705-50-E	GN.30748	GN 705-50-E-ZB	50	80	M10x16	18	429
GN.30751	GN 705-52-A	GN.30752	GN 705-52-E	-	-	52	80	M10x16	18	408
GN.30755	GN 705-55-A	GN.30756	GN 705-55-E	-	-	55	80	M10x16	18	373
GN.30761	GN 705-56-A	GN.30762	GN 705-56-E	-	-	56	80	M10x16	18	373
GN.30765	GN 705-58-A	GN.30766	GN 705-58-E	-	-	58	90	M10x16	20	581
GN.30771	GN 705-60-A	GN.30772	GN 705-60-E	GN.30774	GN 705-60-E-ZB	60	90	M10x16	20	552
GN.30775	GN 705-63-A	GN.30776	GN 705-63-E	-	-	63	90	M10x16	20	508
GN.30781	GN 705-65-A	GN.30782	GN 705-65-E	-	-	65	100	M10x20	20	708
GN.30785	GN 705-68-A	GN.30786	GN 705-68-E	-	-	68	100	M10x20	20	660
GN.30791	GN 705-70-A	GN.30792	GN 705-70-E	GN.30794	GN 705-70-E-ZB	70	100	M10x20	20	626
GN.30795	GN 705-72-A	GN.30796	GN 705-72-E	-	-	72	110	M12x20	22	928
GN.30801	GN 705-75-A	GN.30802	GN 705-75-E	-	-	75	110	M12x20	22	871
GN.30805	GN 705-80-A	GN.30806	GN 705-80-E	GN.30808	GN 705-80-E-ZB	80	110	M12x20	22	768

