

IF. Cylindrical handles

with protection, technopolymer



MATERIAL

Glass-fibre reinforced polyamide based (PA) technopolymer, black colour, matte finish.

STANDARD EXECUTIONS

- **IF-B**: brass boss, threaded blind hole.
- **IF-p**: zinc-plated steel threaded stud, chamfered flat end according to UNI 947 : ISO 4753 (see Technical data on page A-10).

IFF. Cylindrical handles

with double protection, technopolymer



MATERIAL

Glass-fibre reinforced polyamide based (PA) technopolymer, black colour, matte finish.

STANDARD EXECUTIONS

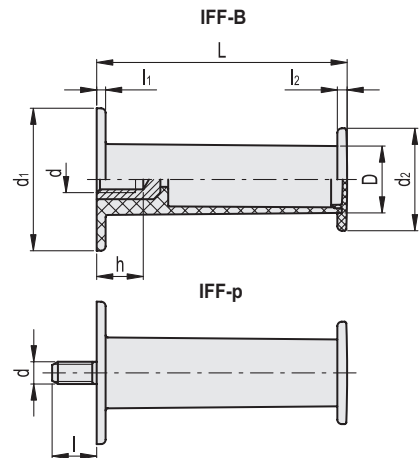
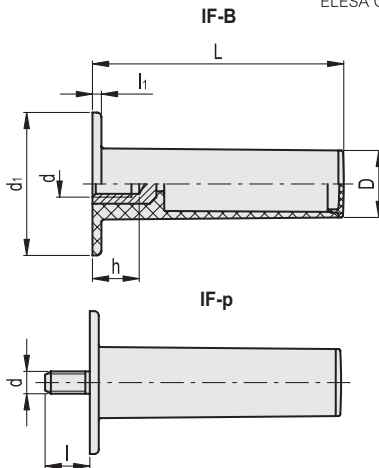
- **IFF-B**: brass boss, threaded blind hole.
- **IFF-p**: zinc-plated steel threaded stud, chamfered flat end according to UNI 947: ISO 4753 (see Technical data on page A-10).



ELESA Original design



ELESA Original design



IF-B

Code	Description	D	L	d6H	d1	h	l1	⚖️
26801	IF.112 B-M8	30	112	M8	64	20	4	73
26802	IF.112 B-M10	30	112	M10	64	18	4	75

IF-p

Code	Description	D	L	d6g	d1	l	l1	⚖️
26824	IF.112 p-M8x20	30	112	M8	64	20	4	78
26834	IF.112 p-M10x20	30	112	M10	64	20	4	87

IFF-B

Code	Description	D	L	d6H	d1	d2	h	l1	l2	⚖️
26901	IFF.112 B-M8	30	112	M8	64	46	20	4	4	78
26902	IFF.112 B-M10	30	112	M10	64	46	18	4	4	80

IFF-p

Code	Description	D	L	d6g	d1	d2	l	l1	l2	⚖️
26924	IFF.112 p-M8x20	30	112	M8	64	46	20	4	4	83
26934	IFF.112 p-M10x20	30	112	M10	64	46	20	4	4	92