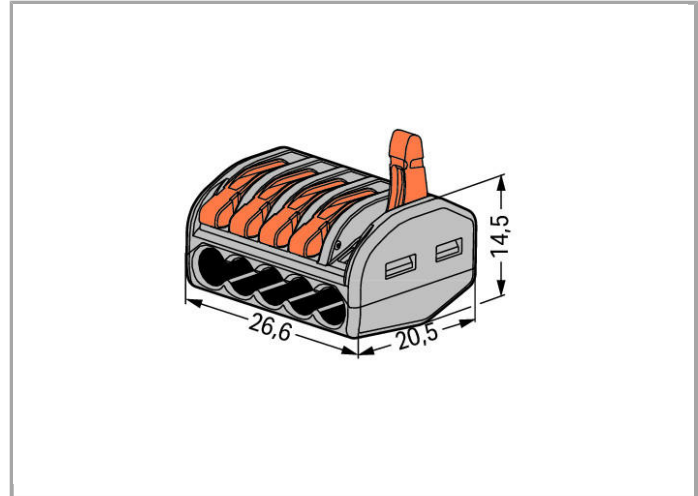


## Data sheet | Item number: 222-415

Compact splicing connector; 5-conductor terminal block; with operating levers; max. continuous service temperature 85°C



[www.wago.com/222-415](http://www.wago.com/222-415)



### Data

#### Electrical data

#### Ratings per IEC/EN 60664-1

Rated voltage (II / 2)	400 V
Rated impulse voltage (II / 2)	4 kV
Rated current	32 A
Legend (ratings)	(II / 2) ≙ Overvoltage category II / Pollution degree 2

#### Connection data

Connection technology	CAGE CLAMP®
Actuation type	Lever
Connectable conductor materials	Copper
Solid conductor	0.08 ... 2.5 mm <sup>2</sup> / 28 ... 12 AWG
Stranded conductor	0.08 ... 2.5 mm <sup>2</sup> / 28 ... 12 AWG
Fine-stranded conductor	0.08 ... 4 mm <sup>2</sup> / 28 ... 12 AWG
Strip length	9 ... 10 mm / 0.35 ... 0.39 Inch
Total number of connection points	5

Total number of potentials	1
Type of wiring	Side-entry wiring

### Geometrical Data

Width	26.6 mm / 1.047 inch
Height	14.5 mm / 0.571 inch
Depth	20.5 mm / 0.807 inch

### Material Data

Color	gray
Flammability class per UL94	V2
Fire load	0.13 MJ
Weight	6.581 g

### Environmental Requirements

Surrounding air (operating) temperature	40 °C
-----------------------------------------	-------

### Approvals / Certificates

#### Country specific Approvals

Logo	Approval	Certificate name
	ENEC 15 UL International Demko A/S	ENEC-01360

#### Ship Approvals

Logo	Approval	Certificate name
	ABS American Bureau of Shipping	18-HG1755093-PDA
	LR Lloyds Register	04/20013 (E4)
	LR Lloyds Register	04/20013 (E6)

#### UL-Approvals

Logo	Approval	Certificate name
	UL UL International Germany GmbH	E69654



---

UL  
Underwriters Laboratories Inc.

E201573



Subject to changes.

---

WAGO Kontakttechnik GmbH & Co. KG  
Hansastr. 27  
32423 Minden  
Phone: +49571 887-0 | Fax: +49571 887-169  
Email: [info.de@wago.com](mailto:info.de@wago.com) | Web: [www.wago.com](http://www.wago.com)

Do you have any questions about our products?  
We are always happy to take your call at 01788 568 008.