

# 3.5 x 2.8 x 1.9mm Red & Yellow Green SMD LED

Order code: **55-9082**

MPN: OSRGH4S2C1A

## Features:

- High luminous PLCC4 top SMD LEDs
- 3.5 x 2.8 x 1.9mm standard directivity
- Superior weather-resistance
- UV Resistant epoxy
- Water clear type



## Applications

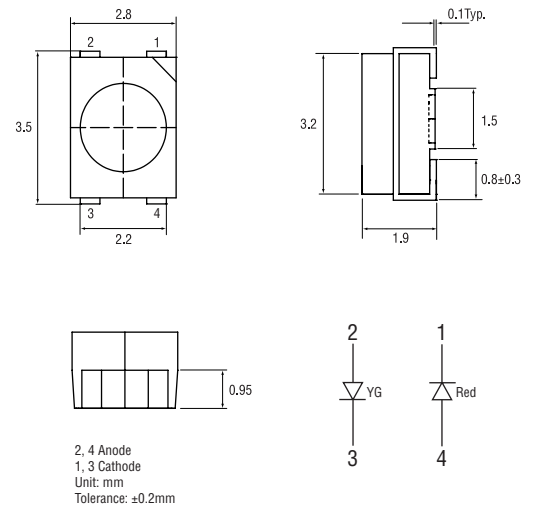
- Toys
- Audio
- Games
- Other lighting

## Absolute maximum rating (Ta=25°C)

Item	Symbol	Value		Unit
		Red	YG	
DC forward current	$I_F$	30	30	mA
Pulse forward current*	$I_{FP}$	100	100	mA
Reverse voltage	$V_R$	5	5	V
Power dissipation	$P_D$	78	78	mW
Operating temperature	$T_{opr}$	-30 to +85		°C
Storage temperature	$T_{stg}$	-40 to +100		°C
Lead soldering temperature	$T_{sol}$	260°C/5sec		-

\*Pulse width max. 10ms. Duty ratio max. 1/10

## Outline dimensions:



## Electrical - Optical characteristics (Ta=25°C)

Item	Symbol	Condition	Min.	Typ.	Max.	Unit
DC forward voltage <sup>3</sup>	$V_F$ (Red)	$I_F = 20\text{mA}$	1.8	2.1	2.6	V
	$V_F$ (YG)	$I_F = 20\text{mA}$	1.8	2.1	2.6	V
DC reverse current	$I_R$	$V_R = 5\text{V}$	-	-	10	μA
Dominant wavelength <sup>1</sup>	$\lambda_D$ (Red)	$I_F = 20\text{mA}$	620	625	630	nm
	$\lambda_D$ (YG)	$I_F = 20\text{mA}$	565	570	575	nm
Luminous intensity <sup>2</sup>	$I_V$ (Red)	$I_F = 20\text{mA}$	100	150	-	mcd
	$I_V$ (YG)	$I_F = 20\text{mA}$	45	60	-	mcd
50% Power angle	$2\theta_{1/2}$	$I_F = 20\text{mA}$	-	120	-	deg

1 Tolerance of measurements of dominant wavelength is ±1nm  
 2 Tolerance of measurements of luminous intensity is ±15%  
 3 Tolerance of measurements of forward voltage is ±0.1V

## Directivity:

