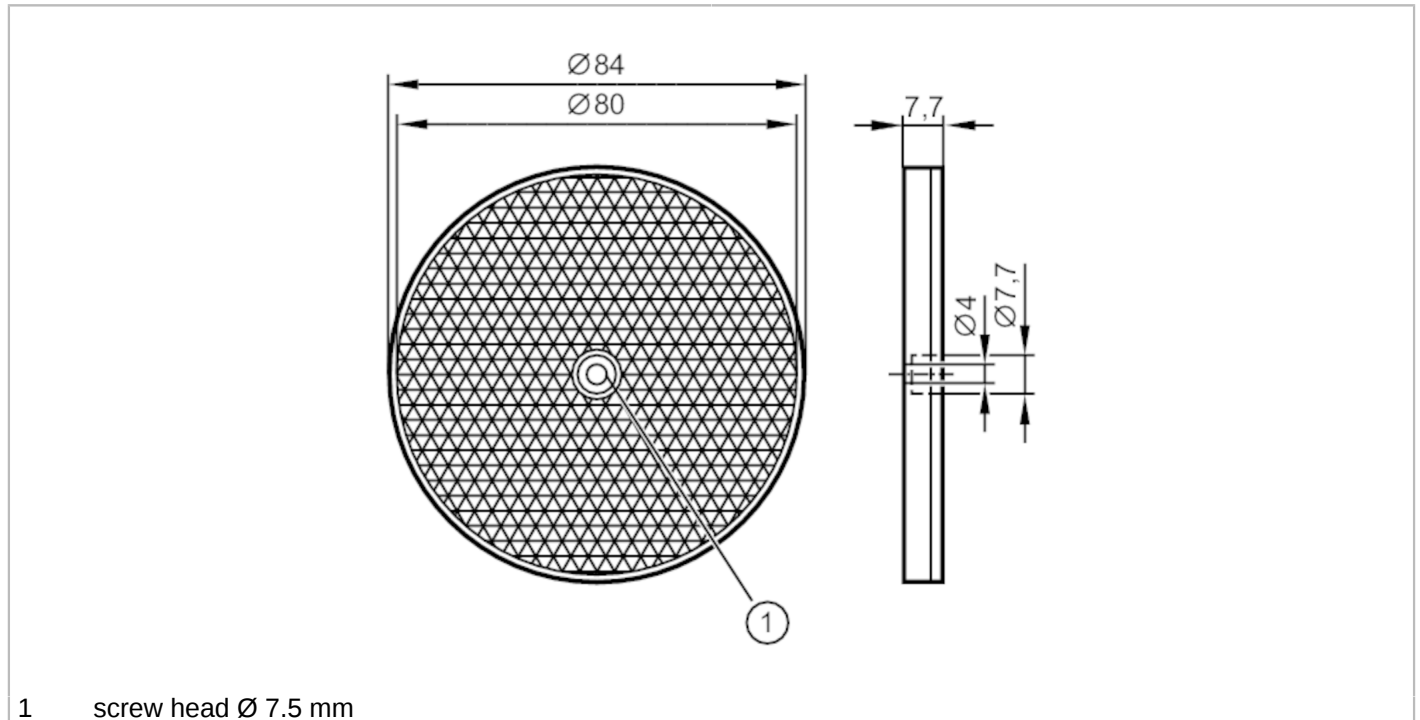


# E20005



## Reflector for retro-reflective sensors

REFLECTOR TS-80



| Application          |  |          |
|----------------------|--|----------|
| Design               | round, for red light and infrared light retro-reflective sensors |          |
| Operating conditions |  |          |
| Ambient temperature  | [°C]   | -10...60 |
| Mechanical data      |  |          |
| Weight               | [g]  | 30.9     |
| Dimensions           | [mm]   | Ø 80     |
| Materials            | plastics   |          |
| Remarks              |  |          |
| Pack quantity        | 1 pcs.   |          |