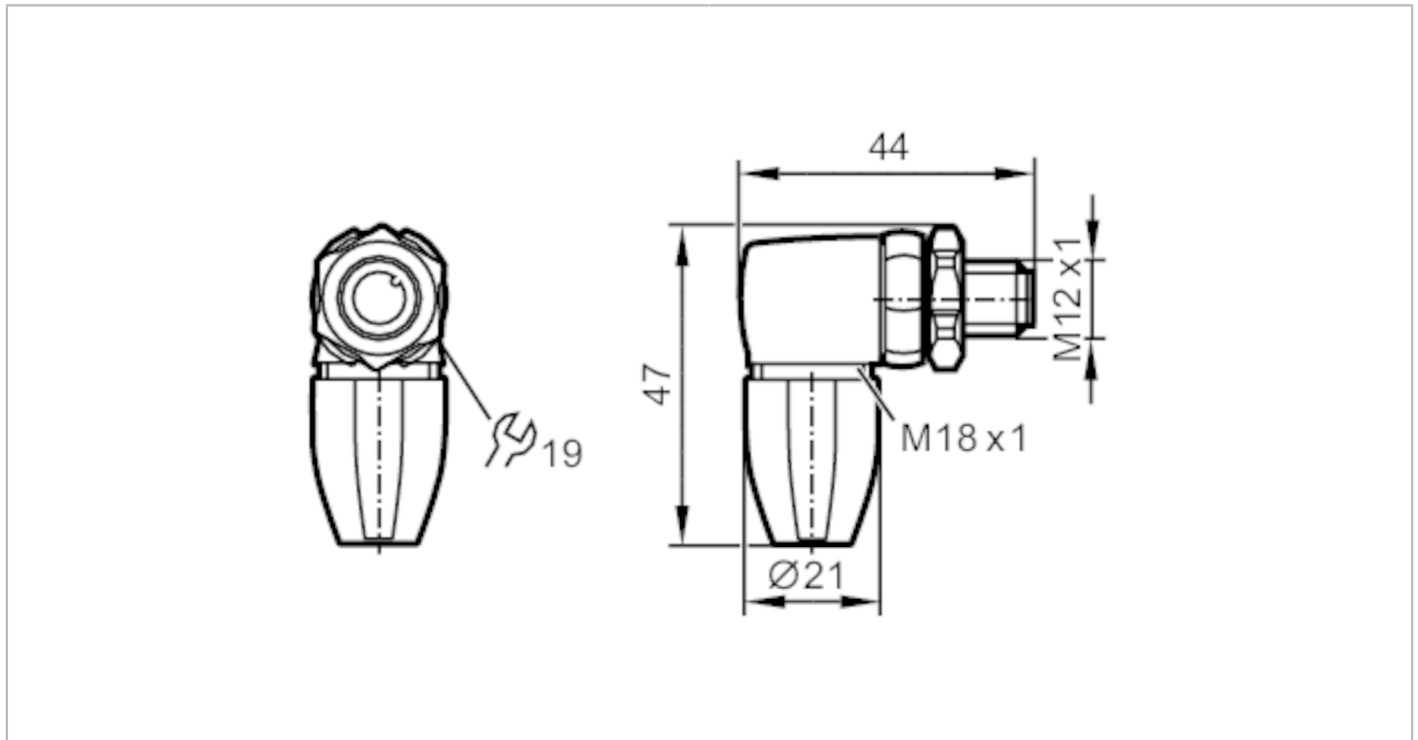


# EVF572



## Wirable plug

SSTAH050VASFKPG



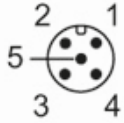
| Application  |   |
|--|---|
| Special feature  | Free from silicone; Gold-plated contacts    |
| Application  | hygienic and wet areas in the food industry |
| Free from silicone   | yes   |
| Electrical data  |   |
| Operating voltage [V]  | < 60 AC/DC                                  |
| Protection class   | II  |
| Max. current load total [A]  | 4; (...40 °C)                               |
| Operating conditions   |   |
| Ambient temperature [°C]   | -25...100                                   |
| Protection   | IP 65; IP 67; IP 68; IP 69K                 |
| Mechanical data  |   |
| Weight [g]   | 33.9  |
| Materials  | PA 6.6 grey; Sealing EPDM                   |
| Material nut   | stainless steel                             |
| Remarks  |   |
| Pack quantity  | 1 pcs.                                      |
| Electrical connection  |   |
| screw terminals: 0.25...1 mm <sup>2</sup> ; Cable sheath: Ø 3.5...6 mm; AWG 23...17  |   |
| Electrical connection - plug   |   |
| Connector: 1 x M12, angled; Moulded body: PA 6.6, grey; Locking: stainless steel; Sealing: EPDM; Contacts: gold-plated; Tightening torque: 0.6...1.2 Nm; Take into account the maximum value of the counterpart! |   |

# EVF572

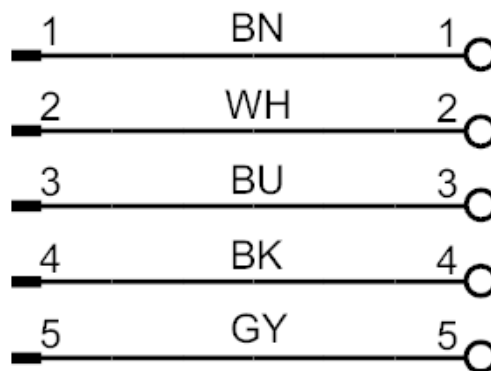


## Wirable plug

SSTA050VASFKPG



### Connection



#### Core colours

|    |       |
|----|-------|
| BK | black |
| BN | brown |
| BU | blue  |
| GY | grey  |
| WH | white |

colours to DIN EN 60947-5-2