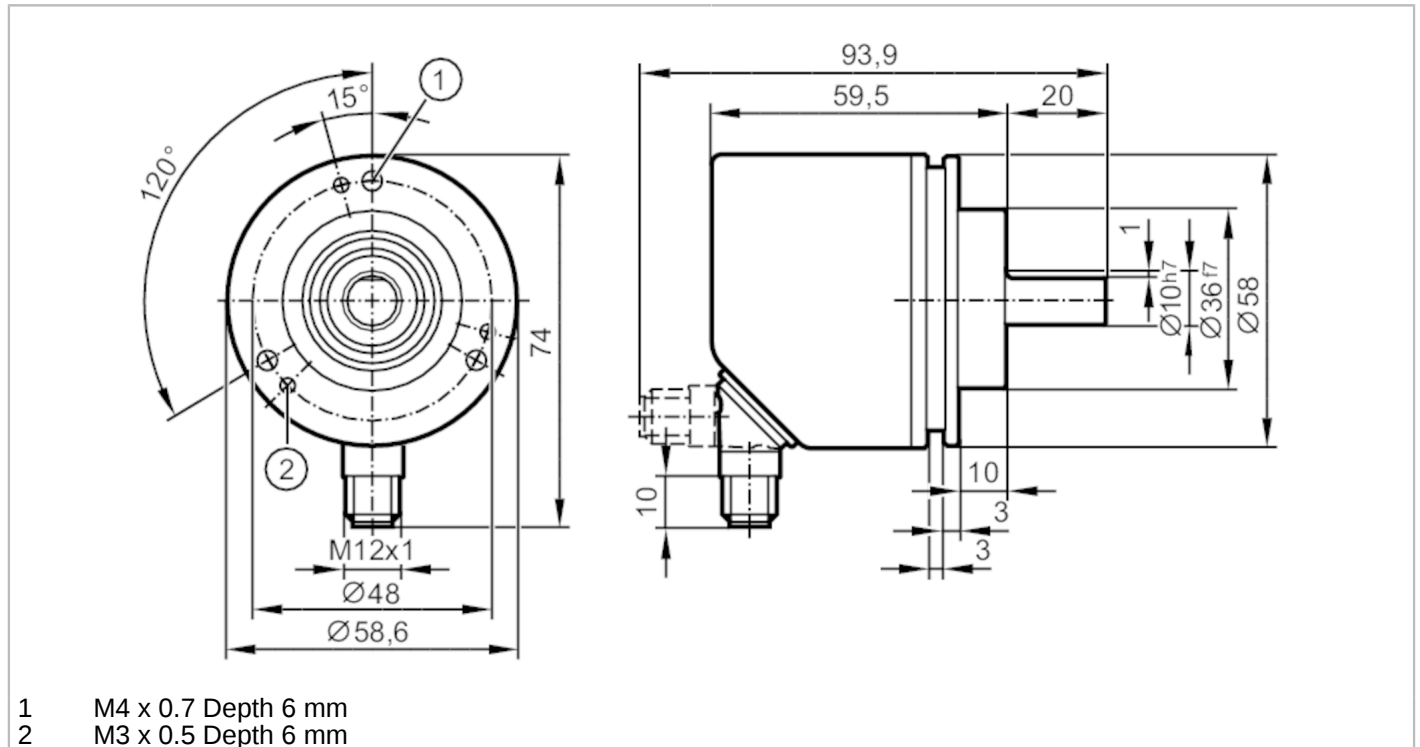


RV3110



Incremental encoder with solid shaft

INCREMENTAL ENCODER



Product characteristics

Resolution	1...10000; (parameterisable; Factory setting: 1024) resolution
Communication interface	IO-Link
Shaft design	solid shaft
Shaft diameter [mm]	10

Application

Function principle	incremental
Detection system	magnetic

Electrical data

Operating voltage [V]	4.75...30 DC
Current consumption [mA]	< 150
Protection class	III
Reverse polarity protection	yes
Power-on delay time [s]	0.5
Max. revolution electrical [U/min]	12000

Outputs

Electrical design	HTL/TTL
Max. current load per output [mA]	50
Switching frequency [kHz]	1000
Factory setting	Output function: HTL (50 mA)
Short-circuit protection	yes
Phase difference A and B [°]	90

RV3110



Incremental encoder with solid shaft

INCREMENTAL ENCODER

Measuring/setting range	
Resolution	1...10000; (parameterisable; Factory setting: 1024) resolution
Accuracy / deviations	
Accuracy [°]	0.1
Software / programming	
Parameter setting options	Resolution; direction of rotation; HTL; TTL
Interfaces	
Communication interface	IO-Link
Transmission type	COM 2
IO-Link revision	1.1
SIO mode	yes
Min. process cycle time [ms]	2.3
Operating conditions	
Ambient temperature [°C]	-40...85
Storage temperature [°C]	-40...85
Max. relative air humidity [%]	95; (condensation not permissible)
Protection	IP 67; (IP 67: on the housing; IP 67: on the shaft)
Tests / approvals	
Shock resistance	100 g
Vibration resistance	20 g
Mechanical data	
Weight [g]	591.5
Dimensions [mm]	Ø 58 / L = 79.5
Materials	flange: stainless steel (1.4571/316Ti); housing: stainless steel (1.4521 / 444); plug: stainless steel (1.4401 / 316)
Max. revolution, mechanical [U/min]	12000
Max. starting torque [Nm]	1
Reference temperature torque [°C]	20
Shaft design	solid shaft
Shaft diameter [mm]	10
Shaft material	stainless steel (1.4571/316Ti)
Max. shaft load axial (at the shaft end) [N]	40
Max. shaft load radial (at the shaft end) [N]	60
Fixing flange	clamping flange

RV3110



Incremental encoder with solid shaft

INCREMENTAL ENCODER

Electrical connection

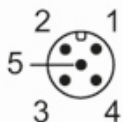
IO-Link

1	L+
2	not to be used
3	L-
4	IO-Link
5	not to be used
Screen	plug

encoder

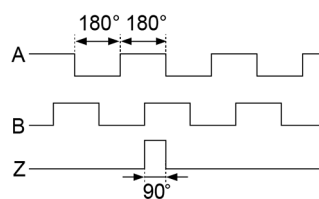
1	UB
2	A
3	GND
4	Z/0-Pulse (90 deg)
5	B
Screen	plug

Connector: 1 x M12, radial, can also be used axially; Moulded body: stainless steel (1.4401 / 316); Maximum cable length: 100 m; (IO-Link: max. 20 m)



Diagrams and graphs

Pulse diagram



direction of rotation clockwise (looking at the shaft)